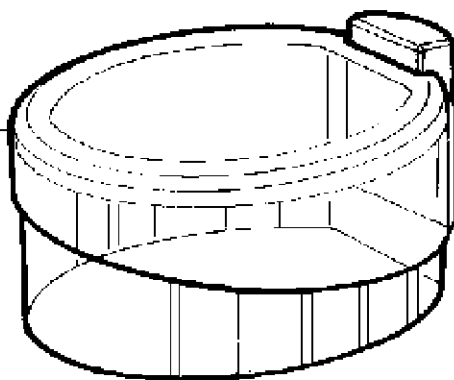


# KRUPS

## F2034251/6W0

SS-192694



SS-192693

