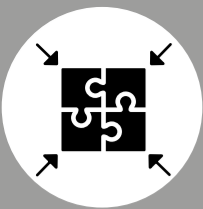


FR : NOTICE DE MONTAGE / EN : ASSEMBLY INSTRUCTIONS / ES : INSTRUCCIONES DE MONTAJE / IT : ISTRUZIONI PER L'ASSEMBLAGGIO / PT : MANUAL DE MONTAGEM / AR : تعليمات التجميع / TH : คู่มือการประกอบ / RU : ИНСТРУКЦИЯ ПО УСТАНОВКЕ / DE : MONTAGEANLEITUNG / NL : OPWERKING VOOR DE MONTAGE / FI : HUOMAUTUS ASENNUKSESTA / NO : MONTERINGSAANVISNING / CS : POKYNY PRO SESTAVENÍ / EL : ΟΔΗΓΙΕΣ ΣΥΝΑΡΜΟΛΟΓΗΣΗΣ / HU : ÖSSZESZERELÉSI UTASÍTÁSOK / RO : INSTRUCȚIJA MONTAJU / PL : INSTRUKCJA MONTAŻU / SK : INŠTRUKČIA MONTÁŽU / TR : MONTAJ UYARISI / BG : УВЕДОМЛЕНИЕ ЗА МОНТАЖ / ET : KOKKUPANEKU JUHISED / LT : MONTAVIMO INSTRUKCIJOS / LV : UZSTĀDĪŠANAS INSTRUKCIJA / SR : NAPOMENA O MONTAŽI / SL : NAVODILA ZA SESTAVLJANJE / HR : NAPOMENA O MONTAŽI / DA : VEJLEDNINGER TIL SAMLING / FA : دستورالعمل مونتاژ



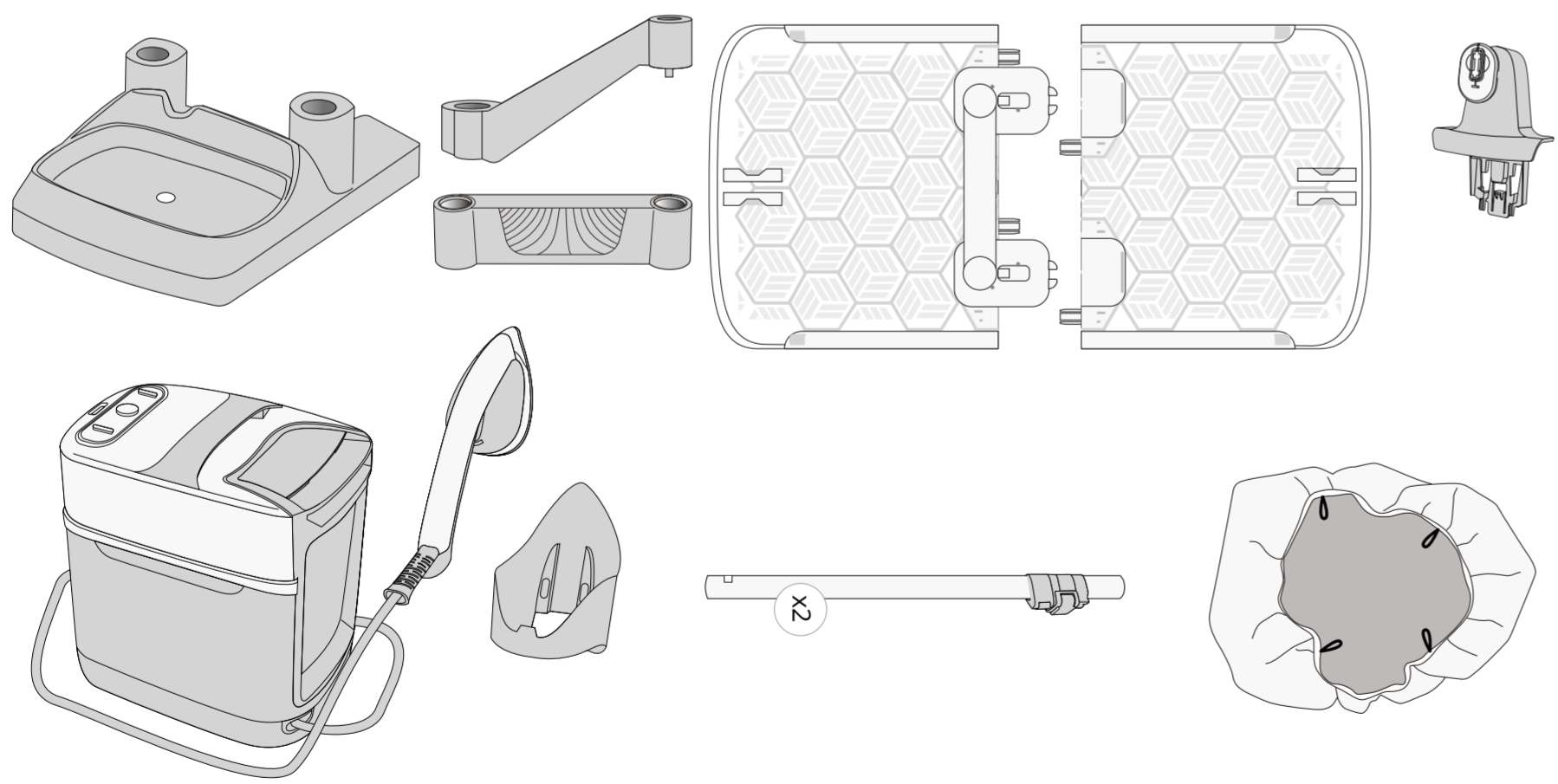
**NEED HELP?** 

 **FLASH ME!**



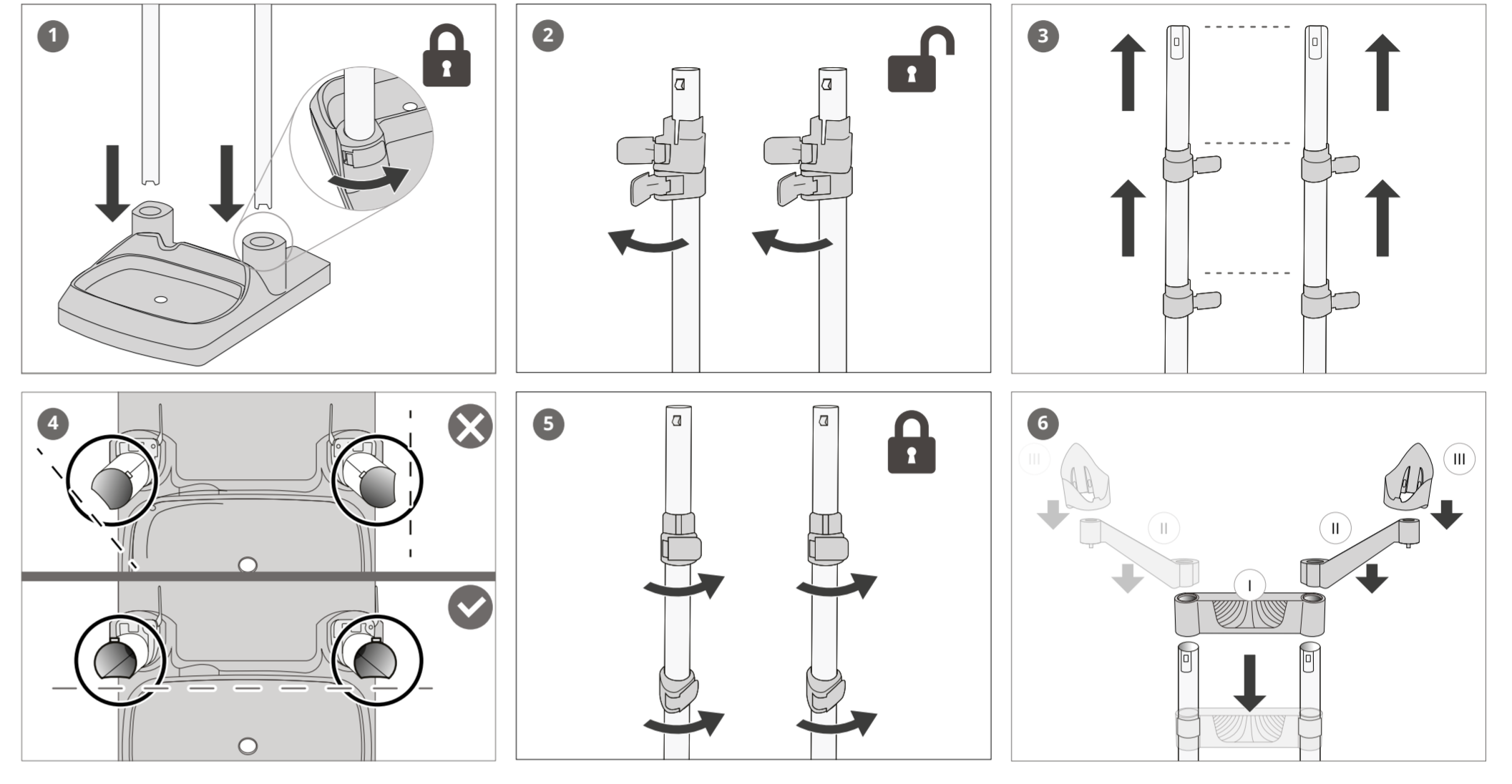
<https://youtu.be/YEBoMMd6jSk>

**IXEO**  
POWER  
ALL-IN-ONE SOLUTION

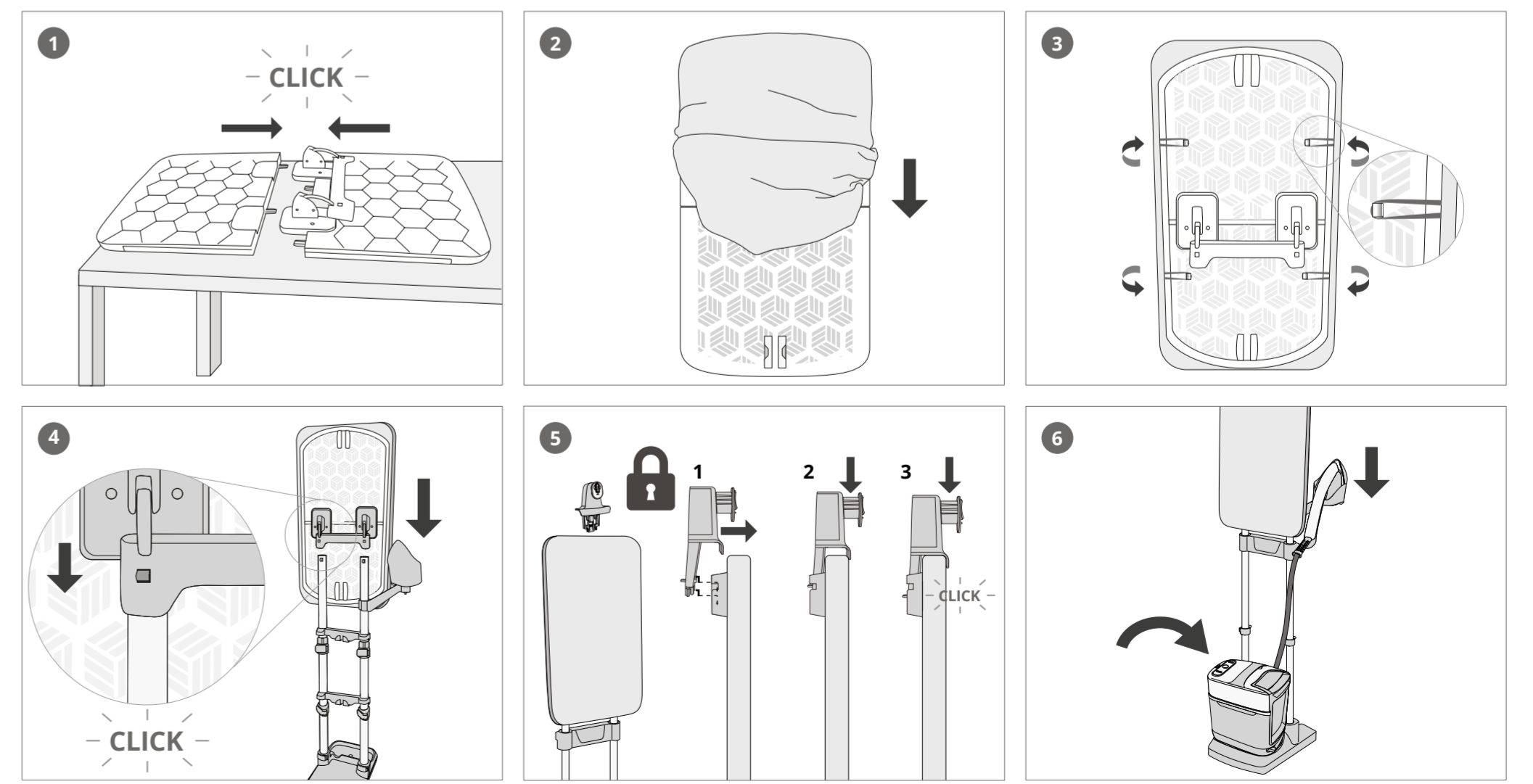


**ASSEMBLY INSTRUCTIONS**

**#1 + #2**

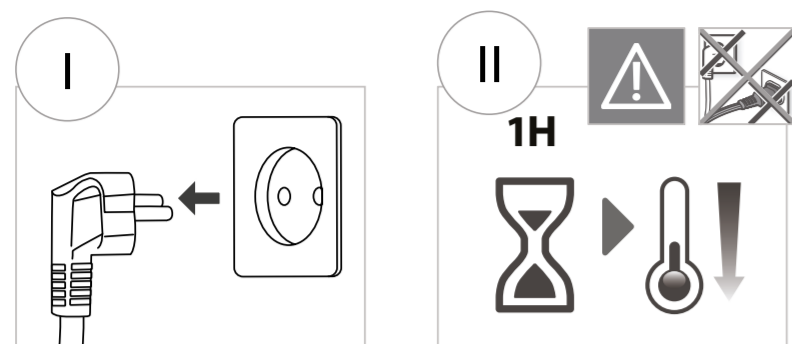


**#2**




FR : NOTICE DE DÉMONTAGE / EN : DISASSEMBLY INSTRUCTIONS / ES : «INSTRUCCIONES DE DESMONTAJE / IT : DISASSEMBLAGGIO / PT : INSTRUÇÕES DE DESMONTAGEM / AR : تعليمات التفكيك / TH : คู่มือการถอดรื้อ / RU : ИНСТРУКЦИЯ ПО ДЕМОНТАЖУ / DE : DEMONTAGEANLEITUNGEN / NL : DEMONTAGEHANDLEIDING / TR : DEMONTAJ TALIMATLARI / BG : ИНСТРУКЦИИ ЗА ДЕМОНТАЖ / ET : SEADME LAHTIVÕTMISE JUHISED / LT : ISMONTAVIMO INSTRUKCIJOS / LV : IZJAUŠANAS NORĀDES / SR : UPUTSTVA ZA RASTAVLJANJE / SL : NAVODILA ZA RAZSTAVLJANJE / HR : UPUTE ZA RASTAVLJANJE / DA : VEJLEDNINGER TIL ADSKILLELSE / FA : دستور العمل جداسازی

# DISASSEMBLY INSTRUCTIONS

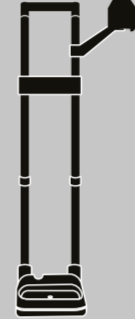


## #1 THE BOARD



1. Turn the board upside down. Use a screwdriver to remove the screws from the top of the board.
2. Remove the board from the stand. Use a screwdriver to remove the screws from the top of the stand.
3. Turn the board back to its original position. Use a screwdriver to remove the screws from the bottom of the board.
4. Turn the board upside down again. Use a screwdriver to remove the screws from the top of the board.
5. Fold the board in half. Use a screwdriver to remove the screws from the top of the board.
6. Turn the board back to its original position. Use a screwdriver to remove the screws from the bottom of the board.

## #2 THE BASE



1. Turn the base upside down. Use a screwdriver to remove the screws from the top of the base.
2. Turn the base back to its original position. Use a screwdriver to remove the screws from the bottom of the base.
3. Turn the base upside down again. Use a screwdriver to remove the screws from the top of the base.
4. Turn the base back to its original position. Use a screwdriver to remove the screws from the bottom of the base.
5. Turn the base upside down again. Use a screwdriver to remove the screws from the top of the base.