

KRUPS

GX336

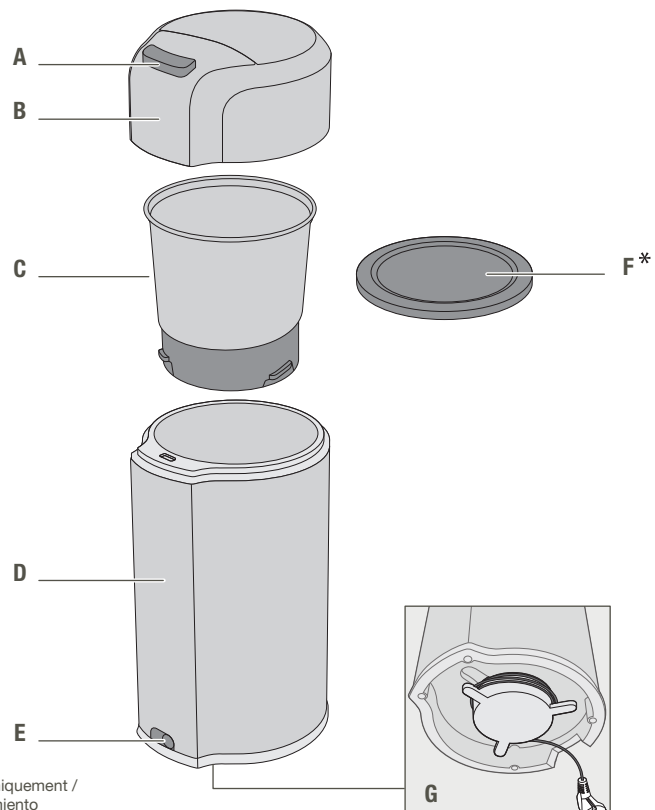


www.krups.com

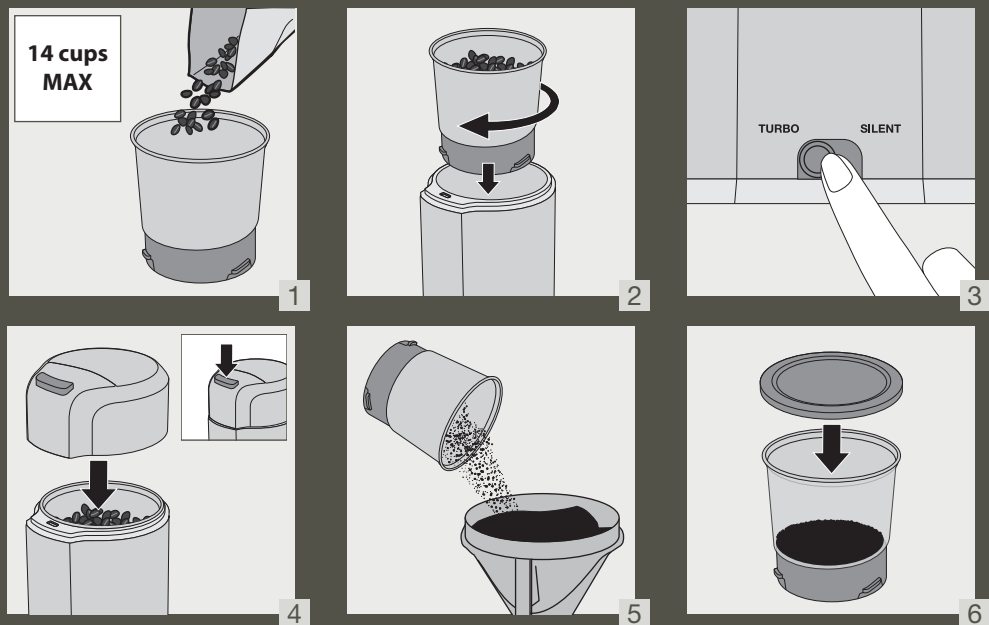
EN

FR

ES



*For storage only/
 *Pour le rangement uniquement /
 *Sólo para almacenamiento



IMPORTANT SAFEGUARDS

When using electrical appliances, basic safety precautions should always be followed to reduce the risk of fire, electric shock, and/or injury to persons including the following :

1. Read all instructions carefully before using the coffee-grinder.
2. To protect against risk of fire, electric shock and injury to persons, do not immerse cord, plug or appliance in water or other liquids.
3. This appliance is not intended for use by persons (including children) with reduced physical, sensory or mental capacities, or lack of experience and knowledge, unless they have been given supervision or instruction concerning use of the appliance by a person responsible for their safety. Close supervision is necessary when any appliance is used by or near children. Children should be supervised to ensure that they do not play with the appliance.
4. Do not use the appliance for other than intended use.
5. Do not remove the lid until the blade has stopped completely. After releasing the push button the blade will come to a stop within 2 to 3 seconds.
6. Unplug from outlet when not in use, before putting on or taking off parts, and before cleaning. To unplug, grasp the plug and pull from the outlet. Never pull from the power cord.
7. Do not operate any appliance with a damaged cord or plug or after the appliance malfunctions, or has been dropped or damaged in any manner. Return the appliance to the nearest authorized KRUPS Service Center for examination, repair or adjustment.
8. To reduce the risk of injury do not drape cord over the counter top or table top where it can be pulled on by children or tripped over unintentionally.
9. Do not let the cord hang over the edge of a table or counter.
10. Do not use outdoors.
11. Avoid contact with moving parts. Do not attempt to defeat any safety interlock mechanisms.
12. The use of attachments not recommended or sold by the manufacturer may cause fire, electric shock or injury.

- 13. Check grinding chamber for presence of foreign objects before using.
- 14. Blades are sharp. Handle them carefully.
- 15. Make certain the voltage of the appliance is in accordance with your domestic supply.

POLARIZED INSTRUCTIONS

This appliance has a polarized plug (one blade is wider than the other). To reduce the risk of electric shock, this plug is intended to fit into a polarized outlet only one way. If the plug does not fit fully in the outlet, reverse the plug. If it still does not fit, contact a qualified electrician. Do not attempt to modify the plug in any way.

SAVE THESE INSTRUCTIONS

- Please read the instructions for use carefully before using your appliance for the first time and retain them for future reference: KRUPS cannot accept any liability for non compliant appliance use.
- Check that your power supply voltage corresponds to that shown on the appliance (alternating current only). Any error in plugging in your appliance may cause irreversible damage and invalidate the guarantee.
- Given the diverse standards in effect, if the appliance is used in a country other than that in which it is purchased, have it checked by an Approved Service Agent.
- Do not use the appliance if it has been dropped and there is visible damage to it (e.g. the protection panel), or if it fails to function normally. In this case, it must be sent to an approved service centre.
- If the power cable is damaged it must be replaced by the manufacturer, an approved service centre or a similarly qualified person, to avoid danger.
- Always unplug the appliance as soon as you stop using it, if you leave it unattended or during assembly, disassembly or cleaning.
- This appliance shall not be used by children. Keep the appliance and its cord out of reach of children.
- This appliance may be used by persons with a lack of experience and knowledge or reduced physical, sensory or mental capabilities, as long as they are supervised or have

been instructed about using the appliance safely and are fully aware of the dangers involved.

- Children should be supervised to ensure they do not play with the appliance and do not use it as a toy.
- Please handle the blade with care when the container is empty and during cleaning, as the blades are very sharp.
- This appliance is not intended to be used by persons (including children) with reduced physical, sensory or mental capacities, or persons lacking in experience or knowledge, unless they are supervised or have been instructed about using the appliance by a person responsible for their security.
- Your appliance is for domestic culinary use only (for use inside the home only). It has not been designed to be used in the following circumstances, which are not covered by the Guarantee: in kitchen areas reserved for staff in shops, offices and other professional environments, on farms, by clients of hotels, motels and other residential environments and in guest rooms or similar accommodation.
- In the interests of safety, only use KRUPS accessories and spare parts designed for your appliance.
- Warning: Any misuse would lead to potential injury.
- Warning: The appliance must not be immersed in water or any other liquid.

INTRODUCTION

- A** Push Activation Power Button
- B** Double Wall Grinding Lid
- C** Removable grinding bowl
- D** Base
- E** Dual Speed Slider
- F** Grinding bowl storage lid
- G** Base cord storage

INTRODUCTION

By purchasing whole coffee beans, dry herbs, and spices and storing them properly at home you can maximize the potential flavor. Grinding right before brewing coffee or cooking with herbs and spices results in best taste.

The Krups Ultimate Silent Grinder is designed with Vortex Spin Force (patent pending) to quickly and evenly grind ingredients.

The Vortex Spin Force technology provides 2 grinding modes- Turbo and Silent.

Silent mode can be selected when a lower pitch and sound is desired when grinding coffee in the early morning.

Turbo mode can be selected when grinding dry herbs and spices.

OPERATION

- Fill the grinding bowl with whole bean coffee, spices, or dry herbs. The min. marking of 3 cups and max. 14 cups refers to the number of brewed coffee cups to grind whole bean coffee. Ex. Fill up to 14 cup max line with whole bean coffee to brew 14 cups of drip coffee. **(fig.1)**
- Secure the grinding bowl on the grinder base. **(fig.2)**
- Plug in the grinder, the dual speed slider allows you to select “TURBO” or “SILENT”. **(fig.3)**
- To start grinding, press the push activation power button. **(fig.4)**
- The power will only stay on as long as the button is pressed.
- To pulse, push and release the power button.
- When grinding is complete, unplug the unit.
- Remove grinding bowl from base. Pour ingredients out as needed or secure with storage lid. **(fig.5-6)**
- Do not operate the appliance for more than 30 seconds at a time. Leave the appliance to cool down for one minute before switching it on again.



Caution

Wait until the blades have completely stopped before removing lid. The grinder should be unplugged before removing the lid.

CLEANING

Keeping your grinder clean is essential to achieve optimal taste. Coffee beans and spices contain oils that will collect in the grinder and quickly become stale. The stale oils can contribute unwanted flavors.



Be sure that grinder is unplugged before cleaning!

- Grinding bowl, grinding lid, and storage lid can be washed in mild detergent, or placed in the top rack of the dishwasher.
- Use a damp cloth to wipe the base of the grinder.
- Base unit can be wiped down with a damp cloth. NEVER immerse base unit in water or any other liquid!

HERBS AND SPICES GRINDING GUIDE

Krups recommends grinding at least 2 tablespoon of dry herbs and spices between 20-30 seconds for best results. Try pulsing for better control on level of fineness. Some of the most popular herbs and spices are whole peppercorn, dry rosemary, dry thyme, dry sage, flax seed, dry red pepper flakes, cumin, and dry oregano. Break up large ingredients, such as cinnamon sticks, prior to grinding. For grinding nuts, pulse for best results. Very dense, wet and oily herbs and spices are NOT recommended to use with this grinder.



Caution

Very dense, wet and oily herbs and spices are not recommended to use with this grinder.

KRUPS INTERNATIONAL LIMITED GUARANTEE

 : www.krups.com

This product is **repairable** by KRUPS during and after the **guarantee period**

Accessories, consumables and end-user replaceable parts can be purchased, if locally available, as described on the KRUPS internet site www.krups.com

The Guarantee :

This product is guaranteed by KRUPS (company address and details included in the country list of the KRUPS International Guarantee) against any manufacturing defect in materials or workmanship for a period of **2 years** starting from the initial date of purchase or delivery date (restrictions on the number of cycles per year may be applicable and described, in this case, in the instruction manual supplied with the product or available on www.krups.com).

The international manufacturer's guarantee by KRUPS is an extra benefit which does not affect consumer's Statutory Rights. The international manufacturer's guarantee covers all costs related to restoring the proven defective product so that it conforms to its original specifications, through the repair or replacement of any defective part and the necessary labour. At KRUPS's choice, an equivalent or superior replacement product may be provided instead of repairing a defective product. KRUPS's sole obligation and your exclusive resolution under this guarantee are limited to such repair or replacement.

Conditions & Exclusions :

The international KRUPS guarantee only applies within the guarantee period and for those countries listed in the country list attached and is valid only on presentation of a proof of purchase. The product can be taken directly in person to an authorised service centre or must be adequately packaged and returned, by recorded delivery (or equivalent method of postage), to a KRUPS authorised service centre. Full address details for each country's authorised service centres are listed on KRUPS website (www.krups.com) or by calling the appropriate telephone number as set out in the country list to request the appropriate postal address.

KRUPS shall not be obliged to repair or replace any product which is not accompanied by a valid proof of purchase.

This guarantee will not cover any damage which occurs as a result of misuse, negligence, failure to follow KRUPS instructions, use on current or voltage other than as stamped on the product, or a modification or unauthorised repair of the product. It also does not cover normal wear and tear, maintenance or replacement of consumable parts, or the following:

- using the wrong type of water or consumable
- damage as a result of lightning or power surges
- scaling (any de-scaling must be carried out according to the instructions for use)
- damages or poor results due to wrong voltage or frequency
- professional or commercial use
- ingress of water, dust or insects into the product (excluding appliances with features specifically designed for insects)
- mechanical damages, overloading
- accidents including fire, flood, thunderbolt, etc
- damage to any glass or porcelain ware in the product

This guarantee does not apply to any product that has been tampered with, or to damages incurred through improper use and care, faulty packaging by the owner or mishandling by any carrier.

In order to offer the best possible after-sales service and constantly improve customer satisfaction, KRUPS may send a satisfaction survey to all customers who have had their product repaired or exchanged in a KRUPS authorised service centre.

The international KRUPS guarantee applies only for products purchased in one of the countries listed, and used for domestic purposes only in one of the countries listed on the Country List. Where a product purchased in one listed country and then used in another listed country:

- a. The international KRUPS guarantee does not apply in case of non-conformity of the purchased product with the local standards, such as voltage, frequency, power plugs, or non-conformity with other local legal requirements or other local technical specifications.
- b. The repair process for products purchased outside the country of use may require a longer time if the product is not locally sold by KRUPS country of usage.
- c. In cases where the product is not repairable in the new country of usage, the international KRUPS guarantee is limited to a replacement by a similar product or an alternative product at similar cost, where possible.

Consumer Statutory Rights :

This international KRUPS guarantee does not affect the statutory rights a consumer may have or those rights that cannot be excluded or limited, nor rights against the retailer from which the consumer purchased the product. This guarantee gives a consumer specific legal rights, and the consumer may also have other legal rights which vary from State to State or Country to Country. The consumer may assert any such rights at his sole discretion.

For Australia only:

Our goods come with guarantees that cannot be excluded under the Australian Consumer Law. You are entitled to a replacement or refund for a major failure and compensation for any other reasonably foreseeable loss or damage. You are also entitled to have the goods repaired or replaced if the goods fail to be of acceptable quality and the failure does not amount to a major failure.

*** Please keep this document for your reference should you wish to make a claim under the guarantee

CONSIGNES DE SÉCURITÉ IMPORTANTES

Lors de l'utilisation d'un appareil électrique, des précautions de sécurité élémentaires doivent toujours être prises afin de réduire le risque d'incendie, de choc électrique et/ou de blessure, notamment les suivantes :

1. **Lisez toutes les instructions avant d'utiliser le moulin à café.**
2. **Afin d'éviter tout risque d'incendie, de décharge électrique et de blessure, n'immergez pas le câble, la prise ou l'appareil dans l'eau ou dans un autre liquide.**
3. **Cet appareil n'est pas conçu pour être utilisé par des personnes (y compris les enfants) aux capacités physiques, mentales, sensorielles réduites, ou manquant d'expérience et de connaissances, sauf si une personne responsable de leur sécurité leur a donné les indications nécessaires ou les surveille pendant l'utilisation. Une surveillance attentive est nécessaire lorsque l'appareil est utilisé par ou à proximité des enfants. Il convient de surveiller les enfants pour s'assurer qu'ils ne jouent pas avec l'appareil.**
4. **N'utilisez pas cet appareil pour un usage autre que celui pour lequel il a été conçu.**
5. **Ne retirez pas le couvercle tant que la lame n'est pas complètement arrêtée. Après avoir relâché le bouton, la lame s'arrête dans les 2 à 3 secondes.**
6. **Débranchez l'appareil de la prise de courant lorsqu'il n'est pas utilisé, avant d'ajouter ou de retirer des pièces et avant de le nettoyer. Pour débrancher l'appareil, saisissez la fiche et retirez-la de la prise de courant. Ne tirez jamais sur le câble d'alimentation.**
7. **Ne faites jamais fonctionner l'appareil s'il fonctionne mal, si son câble d'alimentation ou sa prise est endommagé, ou s'il est tombé ou a été endommagé de quelque manière que ce soit. Retournez l'appareil au centre de service agréé KRUPS le plus proche pour le faire examiner, réparer ou ajuster.**
8. **Afin de réduire le risque de blessure, ne placez pas le câble d'alimentation sur un plan de travail ou une table où il pourrait être tiré par des enfants ou faire trébucher quelqu'un accidentellement.**

9. Ne laissez pas le câble d'alimentation pendre du rebord d'une table ou d'un comptoir.
10. Cet appareil n'est pas conçu pour être utilisé en plein air.
11. Évitez tout contact avec des pièces mobiles. Ne tentez pas de contourner un mécanisme de verrouillage de sécurité.
12. L'utilisation d'accessoires non recommandés ou non vendus par le fabricant peut entraîner un incendie, une décharge électrique ou des blessures.
13. Avant d'utiliser l'appareil, vérifiez qu'il n'y a pas de débris dans le bol à mouture.
14. Les lames sont tranchantes. Manipulez-les avec précaution.
15. Assurez-vous que la tension de l'appareil est conforme à celle de votre alimentation domestique.

INSTRUCTIONS EN MATIÈRE DE POLARISATION

Cet appareil est équipé d'une fiche d'alimentation polarisée (une lame de contact est plus large que l'autre). Afin de réduire le risque de décharge électrique, cette fiche est conçue pour être branchée dans un seul sens dans une prise polarisée. Si la fiche ne s'insère pas complètement dans la prise, inversez-la. Si le problème persiste, contactez un électricien qualifié. Ne tentez pas de modifier la prise de quelque manière que ce soit.

CONSERVEZ CES INSTRUCTIONS

- **Veillez lire attentivement les instructions d'utilisation avant d'utiliser votre appareil pour la première fois et conservez-les pour référence ultérieure : KRUPS ne peut être tenu responsable d'une utilisation non conforme de l'appareil.**
- **Vérifiez que la tension d'alimentation de votre foyer correspond à celle indiquée sur l'appareil (courant alternatif uniquement). Toute erreur de branchement de votre appareil peut causer des dommages irréversibles et invalider la garantie.**
- **Compte tenu de la diversité des normes en vigueur, si l'appareil est utilisé dans un pays autre que celui dans lequel il a été acheté, faites-le vérifier par un agent de service agréé.**
- **N'utilisez pas l'appareil s'il est tombé et présente des dommages visibles (sur le panneau de protection, par exemple) ou s'il ne fonctionne pas correctement. Dans ce cas, il doit être envoyé dans un centre de service agréé.**

- **Si le câble d'alimentation est endommagé, il doit impérativement être remplacé par le fabricant, son agent de réparation ou une personne à la qualification similaire, pour des raisons de sécurité.**
- **Débranchez toujours l'appareil dès que vous cessez de l'utiliser, que vous le laissez sans surveillance ou pendant son montage, son démontage ou son nettoyage.**
- **Cet appareil ne doit pas être utilisé par des enfants. L'appareil et son câble d'alimentation doivent toujours rester hors de portée des enfants.**
- **Cet appareil peut être utilisé par des personnes manquant d'expérience et de connaissances ou ayant des capacités physiques, sensorielles ou mentales réduites, à condition qu'elles soient supervisées ou informées quant à l'utilisation de l'appareil en toute sécurité et qu'elles soient pleinement conscientes des dangers encourus.**
- **Il convient de surveiller les enfants pour s'assurer qu'ils ne jouent pas avec l'appareil.**
- **Veillez manipuler les lames avec précaution lorsque le récipient est vide et pendant le nettoyage car les lames sont très coupantes.**
- **Cet appareil n'est pas conçu pour être utilisé par des personnes (y compris les enfants) aux capacités physiques, mentales, sensorielles réduites, ou manquant d'expérience et de connaissances, sauf si une personne responsable de leur sécurité leur a donné les indications nécessaires ou les surveille pendant l'utilisation.**
- **Votre appareil est destiné à un usage culinaire domestique (pour une utilisation à l'intérieur de la maison uniquement). Cet appareil n'a pas été conçu pour être utilisé dans les cas suivants, qui ne sont pas couverts par la garantie : dans les cuisines réservées au personnel des magasins, bureaux et autres environnements professionnels, dans les exploitations agricoles, par les clients des hôtels, motels et autres environnements résidentiels et dans les chambres d'hôtes ou tout hébergement similaire.**

- **Pour des raisons de sécurité, utilisez uniquement les accessoires et les pièces de rechange KRUPS avec votre appareil.**
- **Avertissement : toute utilisation abusive peut entraîner des dommages potentiels.**
- **Avertissement : l'appareil ne doit pas être immergé dans l'eau ou tout autre liquide.**

DESCRIPTION

- | | |
|-------------------------------------------------------|--------------------------------------------------|
| A Bouton d'alimentation activé par la pression | D Base |
| B Couvercle du bol à mouture à paroi double | E Bouton de réglage des vitesses |
| C Bol à mouture amovible | F Couvercle de rangement du bol à mouture |
| | G Rangement du cordon de la base |

INTRODUCTION

En achetant des grains de café entiers, des fines herbes et des épices et en les conservant correctement à la maison, vous pouvez maximiser leur saveur. Il est préférable de procéder à la mouture du café juste avant l'infusion et à la mouture des fines herbes et des épices juste avant la cuisson pour obtenir un meilleur goût.

Le moulin silencieux ultime de Krups est doté de la technologie Vortex Spin Force (en instance de brevet) pour mouliner les ingrédients rapidement et de manière uniforme.

La technologie Vortex Spin Force propose 2 modes de meulage : Turbo et Silencieux.

Le mode silencieux peut être sélectionné si vous souhaitez obtenir un son plus faible lorsque vous moulez du café tôt le matin.

Le mode Turbo peut être sélectionné lors du broyage d'herbes et d'épices sèches.

FONCTIONNEMENT

- Versez dans le bol à mouture des grains de café entiers, des épices ou des fines herbes. Les marquages de 3 tasses au minimum et de 14 tasses au maximum correspondent au nombre de tasses de café moulu en moulant des grains entiers. Exemple : remplissez jusqu'à 14 tasses maximum de café en grains entiers pour préparer 14 tasses de café filtre (**schéma 1**).
- Fixez le bol à mouture sur la base du moulin (**schéma 2**).
- Branchez le moulin, le bouton de réglage vous permet de sélectionner deux vitesses : « TURBO » ou « SILENT » (**schéma 3**).
- Pour commencer la mouture, appuyez sur le bouton (**schéma 4**).
- L'alimentation reste activée tant que le bouton est enfoncé.
- Pour donner des impulsions, appuyez sur le bouton et relâchez-le rapidement.
- Lorsque la mouture est terminée débranchez l'appareil.
- Retirez le bol à mouture de la base. Retirez les ingrédients ou placez le couvercle de rangement (**schémas 5 et 6**).

- N'utilisez pas l'appareil pendant plus de 30 secondes à la fois. Laissez l'appareil refroidir pendant une minute avant de le remettre en marche.



Attention

Attendez que les lames se soient complètement arrêtées avant de retirer le couvercle. Le moulin doit être débranché avant que le couvercle ne soit retiré.

NETTOYAGE

Il est essentiel de garder votre moulin propre pour obtenir un goût optimal. Les grains de café et les épices contiennent des huiles qui s'accumulent dans le moulin et deviennent rapidement fétides. Les huiles fétides peuvent contribuer au développement de saveurs indésirables.



Assurez-vous que le moulin est débranché avant le nettoyage !

- Le bol à mouture, le couvercle du bol à mouture et le couvercle de rangement peuvent être lavés avec un détergent doux ou placés dans le panier supérieur du lave-vaisselle.
- Utilisez un chiffon humide pour essuyer la base du moulin.
- Il suffit d'essuyer la base avec un chiffon humide. N'immergez JAMAIS la base dans l'eau ni dans aucun autre liquide !

GUIDE DE MOUTURE DES HERBES ET DES ÉPICES

Krups recommande de mouliner au moins 2 cuillerées à soupe de fines herbes et d'épices entre 20 et 30 secondes pour de meilleurs résultats. Utilisez la fonction d'impulsion pour un meilleur contrôle du niveau de la finesse. Certaines des herbes et des épices les plus populaires sont le poivre entier, le romarin sec, le thym sec, la sauge sèche, les graines de lin, les flocons de poivron rouge séché, le cumin et l'origan sec. Coupez les gros ingrédients, comme les bâtons de cannelle, avant de les mouliner. Pour mouliner des noix, utilisez la fonction d'impulsion afin d'obtenir un meilleur résultat. Il n'est pas recommandé de mouliner dans ce moulin des herbes et des épices très denses, humides et huileuses.



Attention

Il n'est PAS recommandé de mouliner dans ce moulin des herbes et des épices très denses, humides et huileuses.

KRUPS GARANTIE INTERNATIONALE

 : www.krups.com

Ce produit est **réparable** par KRUPS, pendant et après la période de garantie.

Les accessoires, consommables, et autres pièces remplaçables directement par l'utilisateur, peuvent être commandés, s'ils sont disponibles localement, sur le site internet www.krups.com

La Garantie :

Ce produit est garanti par KRUPS (adresse et contacts dans la liste des pays de la Garantie Internationale KRUPS) contre tout défaut de fabrication ou de matière ou de main d'oeuvre, **pendant 2 ans** à partir de la date d'achat initiale ou la date de livraison (des restrictions sur le nombre de cycles par an peuvent être applicables et décrites, dans ce cas, dans le mode d'emploi fourni avec le produit ou disponible sur www.krups.com). Cette Garantie Internationale du fabricant KRUPS vient en complément des droits des consommateurs.

La Garantie Internationale du fabricant couvre tous les coûts de remise en état d'un produit reconnu défectueux pour redevenir conforme à ses spécifications d'origine, par la réparation, la main-d'oeuvre, et le remplacement éventuel de pièces défectueuses. Au choix de KRUPS, un produit de remplacement équivalent ou supérieur peut être proposé à la place de la réparation du produit défectueux. Les obligations de KRUPS dans le cadre de cette garantie se limitent exclusivement à cette réparation ou ce remplacement.

Conditions & Exclusions :

Cette garantie ne couvre pas les dommages qui seraient le résultat d'une mauvaise utilisation, d'une négligence, du non respect des instructions d'utilisation et de maintenance, de l'utilisation avec une alimentation électrique non conforme à celle spécifiée sur la plaque signalétique, ou d'une modification ou d'une réparation non autorisée du produit. Elle n'inclut également pas l'usure normale du produit, ni la maintenance ou le remplacement de pièces consommables, ni les cas suivants :

- dommage résultant de la foudre ou surtension électrique
- entrée d'eau, de poussière, d'insectes dans le produit (hors appareils aux caractéristiques spécialement conçues pour les insectes)
- entartrage (tout détartrage doit être réalisé conformément aux instructions dans le mode d'emploi)
- verre ou céramique endommagé
- tout accident lié à un feu, une inondation, etc
- utilisation d'une eau ou d'un consommable non adapté
- dommages mécaniques, surcharge
- dommages ou dysfonctionnements dus à l'utilisation avec un voltage ou une fréquence électrique non conformes
- usage professionnel ou sur un lieu de travail

Cette garantie ne s'applique pas aux produits trafiqués, ou aux dommages résultant d'une utilisation impropre ou sans entretien, aux problèmes d'emballage ou de transport pendant l'expédition du produit par son propriétaire.

Afin d'offrir le meilleur service après-vente possible et d'améliorer constamment la satisfaction de ses clients, KRUPS pourra envoyer une enquête de satisfaction à tous ses clients dont le produit aura été réparé ou échangé par l'un des partenaires service agréés de KRUPS.

La Garantie Internationale de KRUPS couvre exclusivement les produits achetés dans un des pays listés, et utilisés à des fins domestiques également dans un des pays listés dans la Liste des Pays. En cas d'utilisation dans un pays différent du pays d'achat :

- La Garantie Internationale de KRUPS ne s'applique qu'en cas d'adéquation du produit avec les standards et normes locales, tels que le voltage, la fréquence électrique, le type de prise électrique, ou toute autre exigence locale légale ou toute autre spécification technique locale.
- Le processus de réparation pour des produits achetés en dehors du pays d'utilisation peut exiger un temps de réparation plus long si le produit n'est pas localement vendu par KRUPS.
- Au cas où le produit ne serait pas réparable dans le pays d'emploi, la Garantie Internationale de KRUPS est limitée au remplacement par un produit équivalent ou un produit alternatif de même valeur, **si c'est possible**.

Droits des Consommateurs :

Cette Garantie Internationale de KRUPS n'affecte ni les droits légaux dont bénéficie tout consommateur localement, qui ne sauraient être exclus ou limités, ni les droits légaux envers un distributeur auprès de qui aurait été acheté un produit. Cette Garantie donne au consommateur des droits spécifiques, et le consommateur peut par ailleurs bénéficier des droits particuliers en fonction du Pays, de l'Etat ou de la Province. Le consommateur peut faire usage de ces droits de son seul fait.

***Veuillez conserver ce document qui vous sera utile en cas de réclamation sous garantie.

Pour la France uniquement :

Article L 217-4 du Code de la consommation : « Le vendeur est tenu de livrer un bien conforme au contrat et répond des défauts de conformité existant lors de la délivrance.

Il répond également des défauts de conformité résultant de l'emballage, des instructions de montage ou de l'installation lorsque celle-ci a été mise à sa charge par le contrat ou a été réalisée sous sa responsabilité. »

Article L 217-5 du Code de la consommation: « Pour être conforme au contrat, le bien doit :

- 1° Etre propre à l'usage habituellement attendu d'un bien semblable et, le cas échéant :
 - correspondre à la description donnée par le vendeur et posséder les qualités que celui-ci a présentées à l'acheteur sous forme d'échantillon ou de modèle ;
 - présenter les qualités qu'un acheteur peut légitimement attendre eu égard aux déclarations publiques faites par le vendeur, par le producteur ou par son représentant, notamment dans la publicité ou l'étiquetage ;
- 2° Ou présenter les caractéristiques définies d'un commun accord par les parties ou être propre à tout usage spécial recherché par l'acheteur, porté à la connaissance du vendeur et que ce dernier a accepté. »

Article L 217-12 du Code de la consommation : « L'action résultant du défaut de conformité se prescrit par deux ans à compter de la délivrance du bien. »

Article L 217-16 du Code de la consommation : « Lorsque l'acheteur demande au vendeur, pendant le cours de la garantie commerciale qui lui a été consentie lors de l'acquisition ou de la réparation d'un bien meuble, une remise en état couverte par la garantie, toute période d'immobilisation d'au moins sept jours vient s'ajouter à la durée de la garantie qui restait à courir. Cette période court à compter de la demande d'intervention de l'acheteur ou de la mise à disposition pour réparation du bien en cause, si cette mise à disposition est postérieure à la demande d'intervention. »

Article 1641 du Code civil : « Le vendeur est tenu de la garantie à raison des défauts cachés de la chose vendue qui la rendent impropre à l'usage auquel on la destine, ou qui diminuent tellement cet usage que l'acheteur ne l'aurait pas acquise, ou n'en aurait donné qu'un moindre prix, s'il les avait connus. »

Article 1648, al.1er du Code civil : « L'action résultant des vices rédhibitoires doit être intentée par l'acquéreur dans un délai de deux ans à compter de la découverte du vice. »

INSTRUCCIONES DE SEGURIDAD

Cuando use artefactos eléctricos, siempre se deben seguir las precauciones de seguridad básicas para reducir el riesgo de incendio, descarga eléctrica y/o lesiones personales, incluyendo las siguientes:

1. Lea todas estas instrucciones cuidadosamente antes de usar el molino de café.
2. Para protegerse contra el riesgo de incendio, descarga eléctrica y lesiones personales, no sumerja el cable, clavija o artefacto en agua u otros líquidos.
3. No está previsto que este artefacto sea usado por personas (incluyendo niños) con capacidades físicas, sensoriales o mentales limitadas, o sin experiencia y conocimientos, a menos que sean supervisadas o que reciban instrucciones relacionadas al uso del artefacto de parte de una persona responsable por su seguridad. Es necesaria una supervisión cercana cuando cualquier artefacto se usa cerca a un niño o sea usado por él mismo. Los niños deben ser supervisados para asegurarse que no jueguen con el artefacto.
4. El artefacto sólo debe utilizarse para su uso previsto.
5. No retire la tapa hasta que la cuchilla se haya detenido por completo. Luego de soltar el botón pulsador, la cuchilla se detendrá dentro de 2 a 3 segundos.
6. Desconéctelo del tomacorrientes cuando no esté en uso, antes de colocar o quitar partes y antes de la limpieza. Para desconectar, tome la clavija y retírela del tomacorrientes. Nunca tire del cable de alimentación.
7. No opere ningún artefacto con un cable o contactos dañados, o si el artefacto presenta desperfectos, si se ha dejado caer o si se ha dañado de cualquier manera. Retorne el artefacto al Centro de Servicios KRUPS autorizado más cercano para que lo examinen, reparen o ajusten.
8. Para reducir el riesgo de lesión, no deje colgando el cable por encima del mostrador o de la mesa, de donde pueda ser jalado por los niños o donde puedan tropezarse accidentalmente las personas.

9. No deje colgando el cable por encima de un mostrador o de una mesa.
10. No usar en exteriores.
11. Evite el contacto con las partes móviles. No intente anular ningún mecanismo de bloqueo de seguridad.
12. El uso de aditamentos no recomendados o no vendidos por el fabricante, puede causar incendio, descarga eléctrica o lesiones personales.
13. Verifique la cámara de molienda para detectar la presencia de objetos extraños antes de usar el artefacto.
14. Las cuchillas son filosas. Use con extremo cuidado.
15. Asegúrese que la tensión del artefacto esté conforme a su alimentación eléctrica de su hogar.

INSTRUCCIONES DE POLARIZACIÓN

Este artefacto tiene una clavija polarizada (una cuchilla es más ancha que la otra). Para reducir el riesgo de descarga eléctrica, esta clavija debe caber en un tomacorrientes polarizado solamente de un modo único. Si la clavija no cabe por completo en el tomacorrientes, gire la clavija. Si todavía así no cabe, contacte a un electricista calificado. No intente modificar la clavija de ninguna manera.

CONSERVE ESTAS INSTRUCCIONES

- Lea las instrucciones de uso cuidadosamente antes de usar su artefacto por primera vez y consérvelas para referencia futura. KRUPS no puede hacerse responsable por el uso no conforme del artefacto.
- Verifique que su tensión de alimentación eléctrica corresponda con la que se muestra en el artefacto (sólo corriente alterna). Cualquier error al conectar su artefacto puede causar daños irreversibles e invalidar la garantía.
- Dada las diversas normas vigentes, si el artefacto se utiliza en un país distinto al de la compra, deje que lo revise un Centro de Servicio Autorizado.
- No utilice el artefacto si se ha dejado caer y hay daños visibles (p. ej., el panel de protección) o si no funciona con normalidad. En este caso, debe enviarse a un centro de servicio autorizado.
- Si el cable de alimentación se daña, debe ser reemplazado por el fabricante, un centro de servicio autorizado para evitar peligros.

- Siempre desconecte el artefacto tan pronto como deje de utilizarlo, o durante la limpieza.
- Los niños no deben usar este artefacto. Mantenga el artefacto y su cable lejos del alcance de los niños.
- Este artefacto puede ser usado por personas sin experiencia y conocimientos o con capacidades físicas, sensoriales o mentales limitadas, siempre y cuando sean supervisadas o hayan recibido instrucciones relacionadas al uso seguro del artefacto y estén plenamente conscientes de los peligros involucrados.
- Los niños deben ser supervisados para asegurarse que no jueguen con el artefacto, y no deben usarlo como si fuera un juguete.
- Use las cuchillas con cuidado cuando el contenedor esté vacío y durante la limpieza, ya que las cuchillas son muy filosas.
- No está previsto que este artefacto sea usado por personas (incluyendo niños) con capacidades físicas, sensoriales o mentales limitadas, o sin experiencia y conocimientos, a menos que sean supervisadas o que reciban instrucciones relacionadas al uso del artefacto de parte de una persona responsable por su seguridad.
- Su artefacto está previsto solamente para uso culinario en el hogar (para usar solamente dentro del hogar). No ha sido diseñado para usarse en las siguientes circunstancias, las cuales no están cubiertas por la garantía: en zonas de cocina reservadas para el personal en tiendas, oficinas u otros ambientes profesionales, en granjas, por huéspedes de hoteles, moteles y otros ambientes residenciales, y en alojamientos o similares.
- En aras de la seguridad, use solamente accesorios y repuestos KRUPS diseñados para su artefacto.
- Advertencia: Cualquier uso indebido puede provocar lesiones potenciales.
- Advertencia: El artefacto no debe sumergirse en agua u otros líquidos.

DESCRIPCIÓN

- | | |
|-------------------------------------------------------|--------------------------------------------------------|
| A Presione el botón de activación de encendido | E Deslizador de dos velocidades |
| B Tapa de molienda con pared doble | F Tapa de almacenamiento del cuenco de molienda |
| C Cuenco de molienda extraíble | G Base de almacenamiento del cable |
| D Base | |

INTRODUCCIÓN

Al comprar granos de café enteros, hierbas secas y especias, y al almacenarlas correctamente en su hogar, puede aprovechar al máximo su sabor potencial. Moler directamente antes de preparar el café o de cocinar con hierbas y especias, da como resultado el mejor sabor.

El Krups Ultimate Silent Grinder (Molinillo silencioso avanzado Krups) está diseñado con Vortex Spin Force (Fuerza de giro vórtice) (pendiente de patente) para moler rápida y uniformemente todos los ingredientes.

La tecnología de Fuerza de Giro Vórtice ofrece 2 modos de molienda – Turbo y Silencioso. El modo Silencioso se puede seleccionar cuando se desea un tono y sonido más bajos al moler café por la mañana temprano.

El modo Turbo se puede seleccionar para moler hierbas y especias secas.

OPERACIÓN

- Llene el tazón de molienda con granos de café enteros, especias o hierbas secas. La marca de mín. de 3 tazas y máx. de 14 tazas se refiere al número de tazas de café deseado al moler los granos de café. Por ejemplo, llene hasta la línea máx. de 14 con granos de café para hacer 14 tazas de café. **(fig.1)**
- Asegure el tazón de molienda en la base del molino. **(fig.2)**
- Enchufe el molinillo. El deslizador de dos velocidades le permite seleccionar “TURBO” (Fuerza vórtice) o “SILENT” (Modo silencioso). **(fig.3)**
- Para empezar a moler, presione el botón pulsador de activación. **(fig.4)**
- La corriente sólo permanecerá encendida mientras se presione el botón.
- Para pulsar, empuje y suelte el botón de activación.
- Cuando haya terminado con la molienda, desenchufe la unidad.
- Retire el tazón de molienda de la base. Vierta los ingredientes según sea necesario o asegure con la tapa de almacenamiento. **(fig.5-6)**
- No opere el artefacto por más de 30 segundos por vez. Deje que el artefacto se enfríe por un minuto antes de volver a encenderlo.



Precaución

Espere hasta que las cuchillas se hayan detenido completamente antes de retirar la tapa. Se debe desenchufar la moledora antes de retirar la tapa.

LIMPIEZA

Conservar limpia su moladora es esencial para alcanzar resultados de sabor óptimos. Los granos de café y especias contienen aceites que quedan atrapados en la moladora y rápidamente se vuelven rancios. Los aceites rancios pueden contribuir a sabores indeseables.



¡Asegúrese que la moladora esté desenchufada antes de limpiarla!

- El tazón de molienda, la tapa de molienda y la tapa de almacenamiento pueden lavarse con un detergente suave o colocarse en la rejilla superior del lavaplatos.
- Use un paño húmedo para limpiar la base de la moladora.
- La unidad de la base puede limpiarse con un paño, con movimientos descendentes. ¡NUNCA sumerja la unidad de la base en agua u otros líquidos!

GUÍA PARA LA MOLIENDA DE HIERBAS Y ESPECIAS

Krups recomienda moler al menos 2 cucharadas de hierbas secas y especias entre 20 y 30 segundos para obtener los mejores resultados. Pruebe pulsando para un mejor control sobre el grado de finura. Algunas de las hierbas y especias que la gente más usa son: granos de pimienta enteros, romero seco, tomillo seco, salvia seca, linaza, hojuelas de pimienta roja secas, comino y orégano seco. Corte en partes más pequeñas los ingredientes más grandes, como palos de canela, antes de molerlos. Para moler nueces, pulse para obtener los mejores resultados. NO se recomienda usar hierbas y especias muy densas, húmedas y grasosas con esta moladora.



Precaución

No se recomienda usar hierbas y especias muy densas, húmedas y grasosas con esta moladora.

KRUPS GARANTÍA LIMITADA INTERNACIONAL

 : www.krups.com

Este producto puede ser reparado por KRUPS durante y después del periodo de garantía.
Los accesorios, consumibles y componentes reemplazables por el usuario final, en caso de estar disponibles localmente, pueden ser adquiridos tal y como se describe en la página web www.krups.com

Garantía :

Este es un producto garantizado por KRUPS (la dirección y demás datos de la compañía figuran en la lista de países de la Garantía Internacional KRUPS) contra defectos de fabricación o en los materiales **durante 2 años** a partir de la fecha de compra o la fecha de entrega. (Se pueden aplicar restricciones en la cantidad de ciclos por año, las cuales son descritas en el instructivo proporcionado con el producto, el cual también está disponible en www.krups.com).

La garantía internacional que KRUPS emite como fabricante es una ventaja adicional que no afecta a los derechos legales del consumidor.

La garantía internacional del fabricante cubre todos los costes de reparación del producto defectuoso, de forma que se ajuste a sus especificaciones originales, ya sea mediante su reparación o la sustitución de los componentes defectuosos y la mano de obra necesaria. A criterio de KRUPS podrá sustituir el producto defectuoso por un equivalente o superior en lugar de repararlo. La reparación o sustitución del producto es la única obligación de KRUPS y la única y exclusiva solución facilitada al cliente en virtud de la presente garantía.

Condiciones y exclusiones :

La garantía internacional KRUPS únicamente será de aplicación durante 2 años y en los países relacionados en la Lista de Países adjunta, y será válida solamente cuando vaya acompañada de una prueba de compra. Se puede llevar el producto en persona directamente a un Servicio Post-venta autorizado, o embalarlo adecuadamente y enviarlo, por correo certificado (o envío postal equivalente), a un Servicio Post-venta autorizado de KRUPS. La dirección completa de los Servicios Post-venta autorizados en cada país puede obtenerse en la página web de KRUPS (www.krups.com) o llamando al número de teléfono del país en cuestión indicado en la Lista de Países, en el que le proporcionarán la dirección de correo.

KRUPS no estará obligada a reparar o sustituir productos que no vayan acompañados de una prueba de compra válida.

Esta garantía no cubrirá los daños que puedan producirse como resultado de usos incorrectos, negligencia, inobservancia de las instrucciones de KRUPS, conexión a corrientes o voltajes distintos de los impresos en el producto, o una modificación o reparación no autorizada del producto. Tampoco cubre el uso y desgaste habitual, el mantenimiento o sustitución de consumibles, ni lo siguiente:

- la utilización de un tipo de agua o cualquier otro producto inadecuado
- accidentes, incluidos incendios, inundaciones, rayos, etc.
- daños causados por un rayo o subidas de tensión
- daños en los materiales de vidrio o porcelana del producto
- el acceso de agua, polvo o insectos dentro del producto (excluyendo los aparatos con características específicamente diseñadas para insectos)
- daños mecánicos, sobrecarga
- la calcificación (las descalcificaciones deberán realizarse de acuerdo a las instrucciones de uso)
- uso profesional o comercial
- daños o bajo rendimiento debidos a un voltaje o frecuencia equivocados

Esta garantía no se aplica a productos que hayan sido manipulados, ni en el caso de daños ocasionados por un uso o mantenimiento indebidos, un embalaje inadecuado por parte del consumidor o por una manipulación incorrecta del transportista. Para ofrecer el mejor servicio post-venta posible y mejorar constantemente el grado de satisfacción del cliente, KRUPS puede enviar una encuesta de satisfacción a todos los clientes que hayan reparado o canjeado sus productos en un servicio post-venta autorizado KRUPS.

La garantía internacional KRUPS se aplica únicamente a productos adquiridos en uno de los países relacionados, y destinados exclusivamente a uso doméstico en uno de los países indicados en la Lista de Países. Cuando un producto sea adquirido en un país incluido en la Lista y posteriormente se utilice en otro país incluido en la Lista:

- a. La garantía internacional KRUPS no se aplica en caso de no conformidad del producto adquirido con las especificidades locales, tales como el voltaje, la frecuencia, las tomas de corriente u otras no conformidades legales u otras especificaciones técnicas locales.
- b. El proceso de reparación para productos adquiridos fuera del país de uso puede precisar de un plazo mayor si KRUPS no comercializa localmente el producto.
- c. En los casos en los que el producto no sea susceptible de reparación en el país de utilización, la garantía internacional KRUPS se limitará a la sustitución por un producto similar o un producto alternativo de precio similar, siempre que sea posible.

Derechos de los consumidores :

La garantía internacional KRUPS no afecta a los derechos de los consumidores ni a derechos que no puedan ser excluidos o restringidos, ni a los derechos que el consumidor tenga frente al comerciante minorista que le vendió el producto. Esta garantía proporciona al consumidor derechos legales específicos, y el consumidor también podrá tener otros derechos legales que varían de una región a otra o de un país a otro. El consumidor ejercerá esos derechos a su criterio.

Por favor conserve este documento para consulta en caso de que deseara hacer una reclamación bajo garantía.

Específicamente para México : El sitio para comprar accesorios, refacciones, así como para realizar las reparaciones de los productos KRUPS se localiza en Home & Cook and Service, Av. San Fernando 649, local 27 A, Col. Peña Pobre, C.P. 14060, Alcaldía Tlalpan, Ciudad de México. México

KRUPS cubrirá los gastos razonablemente erogados para el cumplimiento de esta garantía, exclusivamente para aquellos sitios donde no se cuente con un centro de servicio autorizado. El periodo de garantía es el indicado en la lista de países, a menos que se especifique algo diferente sobre la información del producto.

