

T-fal®

EN

FR

ES



Easy Fry Classic

www.t-fal.ca

IMPORTANT SAFEGUARDS

When using electrical appliances, basic safety precautions should always be followed, including the following:

1. Read all instructions before using.
2. Do not touch hot surfaces. Use handles or knobs.
3. To protect against electric shock, do not immerse cord, plugs or fryer in water or other liquid.
4. Close supervision is necessary when any appliance is used by or near children.
5. Unplug from outlet when not in use and before cleaning. Allow to cool before putting on or taking off parts.
6. Do not operate any appliance with a damaged cord or plug or after the appliance malfunctions, or has been damaged in any manner. Return appliance to the nearest authorized service facility for examination, repair or adjustment.
7. The use of accessory attachments not recommended by the appliance manufacturer may cause injuries.
8. Do not use outdoors.
9. Do not let cord hang over edge of table or counter, or touch hot surfaces.
10. Do not place on or near a hot gas or electric burner, or in a heated oven.
11. Extreme caution must be used when moving appliance containing hot oil or other hot liquids.
12. Always attach plug to appliance first (depending on model), then plug cord into the wall outlet. To disconnect, turn any control to "off", then remove plug from wall outlet.
13. Do not use appliance for other than intended use.

14. SAVE THESE INSTRUCTIONS FOR HOUSEHOLD USE ONLY.

15. Only connect the appliance to electrical sockets which have a minimum load of 15A. If the sockets and the plug on the appliance should prove incompatible, get a professionally qualified technician to replace the socket with a more suitable one.

POLARIZATION INSTRUCTIONS


This appliance has a polarized plug (one blade is wider than the other). To reduce the risk of electric shock this plug is intended to fit into a polarized outlet only one way. If the plug does not fit fully into the outlet, reverse the plug. If it still does not fit, contact a qualified electrician. Do not attempt to modify the plug in any way.

SHORT CORD INSTRUCTIONS

Do not use with an extension cord.

A short power-supply cord is to be provided to reduce the risk resulting from becoming entangled in or tripping over a longer cord.

SAFETY INSTRUCTION

- This appliance is intended to be used in household only. It is not intended to be used in the following applications, and the guarantee will not apply for:
 - staff kitchen areas in shops, offices and other working environments;
 - farm houses;
 - by clients in hotels, motels and other residential type environments;
 - bed and breakfast type environments.
- This appliance is not intended to be operated by means of an external timer or a separate remotecontrol system.
- If the power supply cord is damaged, it must be replaced by the manufacturer, its service agent or similarly qualified persons in order to avoid a hazard.
- This appliance is not intended for use by persons (including children) with reduced physical, sensory or mental capabilities, or lack of experience and knowledge, unless they have been given supervision or instruction concerning use of the appliance by a person responsible for their safety.
- Children should be supervised to ensure that they do not play with the appliance.
-  The temperature of accessible surfaces may be high when the appliance is operating. Do not touch the hot surfaces of the appliance.
- Clean removable parts with a non abrasive sponge and dishwashing liquid or in a dishwasher (depending on model).
- Clean the inside and the outside of the appliance with a damp sponge or cloth. Please refer to the «Cleaning» section of the instructions for use.
- The appliance can be used up to an altitude of 4000 m.

Do

- Read and follow the instructions for use. Keep them safe.
- Remove all packaging materials and any promotional labels or stickers from your appliance before use. Be sure to also remove any materials from underneath the removable bowl (depending on model).
- Check that the voltage of your mains network corresponds to the voltage given on the rating plate on the appliance (alternative current).
- Given the diverse standards in effect, if the appliance is used in a country other than that in which it is purchased, have it checked by an approved Service Centre.
- Use the appliance on a flat, stable, heat-resistant work surface away from water splashes.
- Always unplug your appliance: after use, to move it, or to clean it.
- In the event of fire, unplug the appliance and smother the flames using a damp tea towel.

- To avoid damaging your appliance, please ensure that you follow recipes in the instructions and at www.t-fal.ca; make sure that you use the right amount of ingredients.

Do not

- Do not use the appliance if it or the power cord is damaged or if it has fallen and has visible damage or appears to be working abnormally. If this occurs, the appliance must be sent to an Approved Service Centre.
- Do not use an extension lead. If you nevertheless decide to do so, under your own responsibility, use an extension lead that is in good condition and compliant with the power of the appliance.
- Do not let the power cord dangle.
- Do not unplug the appliance by pulling on the power cord.
- Never move the appliance when it still contains hot food.
- Never operate your appliance when empty.
- Do not switch on the appliance near to flammable materials (blinds, curtains...), or close to an external heat source (gas stove, hot plate etc.).
- Do not store any inflammable products close to or underneath the furniture unit where the appliance is located.
- Never take the appliance apart yourself
- Do not immerse the product in water.
- Do not use any powerful cleaning products (notably soda based strippers), nor brillo pads, nor scourers.
- Do not store your appliance outside. Store it in a dry and well ventilated area

Advice/information

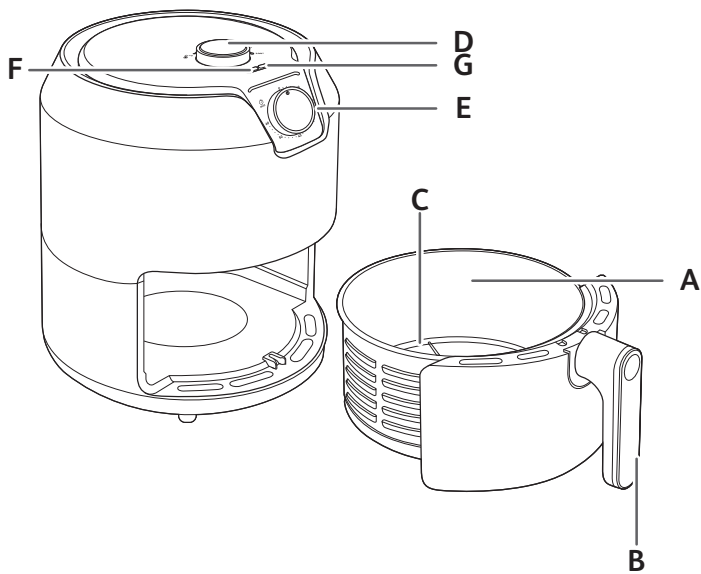
- When using the product for the first time, it may release a non-toxic odour. This will not affect use and will disappear rapidly.
- For your safety, this appliance conforms with applicable standards and regulations (Directives on Low Voltage, Electromagnetic Compatibility, Materials in contact with food, Environment, etc.).
- This appliance is designed for domestic use only and not outdoor. In case of professional use, inappropriate use or failure to comply with the instructions, the manufacturer accepts no responsibility and the guarantee does not apply.
- For your safety, only use the accessories and spare parts designed for your appliance

Environnement



Environment protection first!

- ① Your appliance contains valuable materials which can be recovered or recycled.
- ➡ Leave it at a local civic waste collection point.



DESCRIPTION

- A. Bowl
- B. Bowl handle
- C. Removable grid
- D. Temperature control knob (80-200°C)
- E. Power on/off and timer (0-60 min) knob with auto shut-off
- F. Power indicator light
- G. Heating-up light

EN

BEFORE FIRST USE

Online recipes at www.t-fal.ca help you get to know the appliance.

1. Remove all packaging material.
2. Remove any stickers or labels from the appliance.
3. Thoroughly clean the bowl and the removable grid with hot water, some washing-up liquid and a non-abrasive sponge.

Note: You can also clean these parts in the dishwasher.

4. Wipe the inside and outside of the appliance with a damp cloth. Easy Fry works by producing hot air. Do not fill the bowl (A) with oil or frying fat.

PREPARING FOR USE

1. Place the appliance on a flat, stable, heat-resistant work surface away from water splashes.
2. **Do not fill the bowl with oil or any other liquid.**
Do not put anything on top of the appliance. This disrupts the airflow and affects the hot air frying result.

USING THE APPLIANCE

Easy Fry can cook a large range of recipes. Cooking times for the main foods are given in the section 'Cooking Guide'.

1. Connect the power supply cord to an electrical socket.
2. Carefully pull the bowl out of the Easy Fry.
3. Place the food in the bowl.

Note: Never fill the bowl beyond the MAX level mark or exceed the maximum amount indicated in the table (see into section 'Cooking Guide'), as this could affect the quality of the end result.

4. Slide the bowl back into the Easy Fry.

Caution: Do not touch the bowl during use and for some time after use, as it gets very hot. Only hold the bowl by the handle.

5. Move the temperature control knob to the required temperature. See section 'Cooking Guide' to select the right temperature
6. Select the required cooking time (see section 'Cooking Guide').
7. To switch on the appliance, turn the timer knob to the required cooking time.

Add 3 minutes to the cooking time stated in the tables on pages 7 and 8 when using the appliance from cold.

To set a short time, turn the timer knob until 10 minutes and then go back to the desired time.

Note: If you want, you can also let the appliance preheat without any food inside. In this case, turn the timer knob to more than 3 minutes and wait until the heating-up light goes out (after approx. 3 minutes). Then fill the bowl and turn the timer knob to the required cooking time (see Cooking Guide for timings).

- The timer starts counting down the set cooking time.
 - The heating-up light goes on.
 - During the hot air frying process, the heating-up light goes on and off from time to time. This indicates that the heating element is switched on and off to thermostatically maintain the set temperature.
 - Excess oil from the food is collected in the bottom of the bowl.
8. Some foods require shaking halfway through the cooking time (see section 'Cooking Guide'). To shake the food, pull the bowl out of the appliance by the handle and shake it. Then slide the bowl back into the Easy Fry.

Tip: You can set the timer to half of the cooking time, and when the timer sounds shake the ingredients. Then set the timer again for the remaining cooking time.

9. **When you hear the timer sound, the cooking time set has finished. Pull the bowl out of the appliance and place it on a heat-resistant surface.**

Note: You can also switch off the appliance manually. To do this, turn the timer control knob to 0.

10. **Check if the food is ready.**

If the food is not ready yet, simply slide the bowl back into the appliance and set the timer for a few extra minutes.

11. When the food is cooked, take out the bowl. To remove food, use a pair of tongs to lift the food out of the bowl.

Caution: When you turn the bowl, be careful of any excess oil collected at the bottom of the bowl that may leak onto the food and of the grid may fall down.

After hot air frying, the bowl, the grid and the food are very hot. Depending on the type of food cooked in the Easy Fry, be careful as steam may escape from the bowl.

12. When a batch of food is ready, the Easy Fry is instantly ready for preparing another batch of food.

COOKING GUIDE

The table below helps you to select the basic settings for the food you want to prepare.

Note: The cooking times below are only a guide and may vary according to the variety and batch of potatoes used. For other foods the size, shape and brand may affect results. Therefore, you may need to adjust the cooking time slightly.

EN

	Min-max Amount (g)	Approx Time (min)	Temperature (°C)	Shake*	Extra information
Potatoes & fries					
Frozen chips (10 mm x 10 mm standard thickness)	300-700 g	15-20 min	200°C	Shake	
Homemade French Fries (8 x 8 mm)	300 - 800 g**	22-32 min	180°C	Shake	Add ½ tbsp of oil
Frozen potato wedges	300 - 800 g	22-27 min	180°C	Shake	

* Shake halfway through cooking.

** Weight of unpeeled potatoes

IMPORTANT: To avoid damaging your appliance, never exceed the maximum quantities of ingredients and liquids indicated in the instruction manual and in the recipes.

Meat & Poultry					
Frozen steak	100-400 g	9-17 min	180°C		
Frozen meatballs	400 g	8-12 min	180°C		
Chicken breast fillets (boneless)	100-500 g	12-19 min	180°C		
Chicken (whole)	1200 g	60 min	180°C		

Fish (Times and temperatures are for fresh fish)					
Salmon fillet	350 g	15-17 min	140°C		

	Min-max Amount (g)	Time (min)	Temperature (°C)	Shake	Extra information
Snacks					
Frozen chicken nuggets	100-600 g	7-12 min	200°C		
Frozen chicken wings	300 g	16-20 min	200°C		
Frozen cheese sticks	125 g (5 pieces)	8 min	180°C		
Frozen onion rings	200 g (10 pieces)	8-10 min	200°C	Shake	

Baking					
Muffins	4 x 100 g	18-22 min	180°C		Use a baking tin/oven dish*

***place the cake tin/oven dish in the bowl.**

When you use mixtures that rise (such as with cake, quiche or muffins) the oven dish should not be filled more than halfway.

Visit www.t-fal.ca for online recipes.

TIPS

- Smaller foods usually require a slightly shorter cooking time than larger size foods.
- A larger amount of food only requires a slightly longer cooking time, a smaller amount of food only requires a slightly shorter cooking time.
- Shaking smaller size foods halfway through the cooking time improves the end result and can help prevent uneven cooking.
- Add some oil to fresh potatoes for a crispy result. After adding a spoon of oil, fry the potatoes within a few minutes.
- Do not cook extremely greasy foods in the Easy Fry.
- Snacks that can be cooked in an oven can also be cooked in the Easy Fry.
- The optimal recommended quantity for cooking fries is 700 grams.
- Use ready made puff and shortcrust pastry to make filled snacks quickly and easily.
- Place an oven dish in the Easy Fry bowl if you want to bake a cake or quiche or if you want to fry fragile ingredients or filled ingredients. You can use an oven dish in silicon, stainless steel, aluminium, terracotta.
- You can also use the Easy Fry to reheat food. To reheat food, set the temperature to 160°C for up to 10 minutes.

MAKING HOME-MADE CHIPS

For the best results, we advise to use frozen chips. If you want to make home-made chips, follow the steps below.

1. Choose a variety of potato recommended for making chips. Peel the potatoes and cut them into equal thickness chips.
2. Soak the potato chips in a bowl of cold water for at least 30 minutes, drain them and dry them with a clean, highly absorbent tea towel. Then pat with paper kitchen towel. The chips must be thoroughly dry before cooking.
3. Pour ½ tablespoon of oil (vegetable, sunflower or olive) in a dry bowl, put the chips on top and mix until they are coated with oil.
4. Remove the chips from the bowl with your fingers or a kitchen utensil so that any excess oil stays behind in the bowl. Place the chips in the bowl.
Note: Do not tip the container of oil coated chips directly into the bowl in one go, otherwise excess oil will end up at the bottom of the bowl.
5. Fry the chips according to the instructions in the section Cooking guide.

CLEANING

Clean the appliance after every use.

The bowl and the grid have a non-stick coating. Do not use metal kitchen utensils or abrasive cleaning materials to clean them, as this may damage the nonstick coating.

1. Remove the mains plug from the wall socket and let the appliance cool down. Note: Remove the bowl to let the Easy Fry cool down more quickly.
2. Wipe the outside of the appliance with a damp cloth.
3. Clean the bowl and grid with hot water, some washing-up liquid and a non-abrasive sponge. You can use a degreasing liquid to remove any remaining dirt.

Note: The bowl and grid are dishwasher-safe.

Tip: If dirt is stuck at the bottom of the bowl and the grid, fill them with hot water and some washing-up liquid. Let the bowl and the grid soak for approximately 10 minutes.

Then rinse clean and dry.

4. Wipe inside of the appliance with hot water and a damp cloth.
5. Clean the heating element with a dry, cleaning brush to remove any food residues.
6. Do not immerse the appliance in water or any other liquid.

STORAGE

1. Unplug the appliance and let it cool down.
2. Make sure all parts are clean and dry.

GUARANTEE AND SERVICE

If you need service or information or if you have a problem, please visit the Tefal website at www.t-fal.ca or contact the T-fal Consumer Care Centre in your country. You can find the phone number in the worldwide guarantee leaflet. If there is no Consumer Care Centre in your country, go to your local T-fal dealer.

TROUBLESHOOTING

If you encounter problems with the appliance, visit www.t-fal.ca for a list of frequently asked questions or contact the Consumer Care Centre in your country.

PRÉCAUTIONS IMPORTANTES

Lorsque vous utilisez un appareil électrique, des précautions de base doivent toujours être respectées, y compris les suivantes :

1. Lisez toutes les instructions avant l'utilisation.
2. Ne touchez pas les surfaces chaudes. Utilisez les poignées ou les boutons.
3. Pour vous protéger contre les décharges électriques, n'immergez pas le cordon, la fiche ou l'appareil dans l'eau ou un autre liquide.
4. Il est nécessaire de rester extrêmement attentif si l'appareil est utilisé par ou à proximité d'enfants.
5. Débranchez l'appareil de la prise lorsqu'il n'est pas utilisé et avant le nettoyage. Laissez refroidir l'appareil avant d'ajouter ou de retirer des pièces.
6. N'utilisez pas un appareil avec un cordon ou une fiche endommagé(e) ou après un dysfonctionnement ou un endommagement quelconque. Retournez l'appareil au centre agréé le plus proche pour examen, réparation ou réglage.
7. L'utilisation d'accessoires emboîtables non recommandés par le fabricant de l'appareil peut causer des blessures.
8. N'utilisez pas l'appareil à l'extérieur.
9. Ne laissez pas le cordon pendre d'une table ou d'un comptoir ou toucher des surfaces chaudes.
10. Ne le placez pas sur ou à proximité d'un brûleur à gaz ou électrique chaud, ou dans un four chaud.
11. Faites preuve d'une vigilance extrême en déplaçant un appareil contenant de l'huile chaude ou d'autres liquides chauds.
12. Branchez toujours l'appareil en premier (selon les modèles) avant de le raccorder à une prise murale. Pour déconnecter l'appareil, passez le bouton de commande sur « off », puis retirez la fiche de la prise murale.
13. N'utilisez pas l'appareil à des fins autres que celles pour lesquelles il a été conçu.

14. CONSERVEZ CES INSTRUCTIONS POUR USAGE DOMESTIQUE UNIQUEMENT.

15. Branchez l'appareil uniquement à des prises électriques dont la charge minimale est de 15 A. Si les prises et la fiche sur l'appareil se révèlent incompatibles, faites appel à un technicien qualifié pour remplacer la prise par une autre plus adaptée.

INSTRUCTIONS POUR LA POLARISATION


Cet appareil dispose d'une fiche polarisée (une broche plus large que l'autre). Pour réduire le risque d'une décharge électrique, cette fiche est prévue pour rentrer dans une prise polarisée d'une seule façon. Si la fiche ne rentre pas complètement dans la prise, inversez le sens. Si le problème persiste, contactez un technicien qualifié. N'essayez pas de modifier la fiche de quelque manière que ce soit.

CONSIGNES RELATIVES AU CORDON COURT

N'utilisez pas de rallonge.

Un cordon d'alimentation court doit être fourni pour réduire le risque d'emmêlement ou de trébuchement avec un cordon plus long.

CONSIGNES DE SÉCURITÉ

- Cet appareil est destiné à un usage domestique uniquement. Il n'est pas destiné à être utilisé, et la garantie ne s'appliquera pas, dans les applications suivantes :
 - cuisines réservées au personnel dans les magasins, bureaux et autres environnements de travail ;
 - fermes ;
 - par les clients dans les hôtels, les motels et autres environnements de type résidentiel ;
 - environnements de type chambres d'hôtes.
- Cet appareil n'est pas destiné à une utilisation avec un minuteur externe ou un système de commande à distance séparé.
- Si le cordon d'alimentation est endommagé, il doit être remplacé par le fabricant, son agent de service ou une personne dûment qualifiée afin d'éviter tout risque.
- Cet appareil n'est pas destiné à être utilisé par des personnes (y compris les enfants) ayant un handicap physique, sensoriel ou mental, ou un manque d'expérience et de connaissances, à moins qu'elles ne soient supervisées ou instruites sur l'utilisation de l'appareil par une personne responsable de leur sécurité.
- Il convient de surveiller les enfants pour s'assurer qu'ils ne jouent pas avec l'appareil.
-  La température des surfaces accessibles peuvent être élevées lorsque l'appareil est en fonctionnement. Ne touchez pas les surfaces chaudes de l'appareil.
- Nettoyez les pièces amovibles avec une éponge non abrasive et du liquide vaisselle ou dans un lave-vaisselle (selon les modèles).
- Nettoyez l'intérieur et l'extérieur de l'appareil avec une éponge ou un chiffon humide. Veuillez vous reporter à la section « Nettoyage » des consignes d'utilisation.
- L'appareil peut être utilisé jusqu'à une altitude de 4000 m.

À faire

- Lisez et suivez les consignes d'utilisation. Conservez-les soigneusement.
- Retirez tout le matériel d'emballage et toutes les étiquettes ou les autocollants promotionnels de votre appareil avant de l'utiliser. Assurez-vous d'avoir aussi enlevé le matériel d'emballage en dessous de la cuve amovible (selon les modèles).
- Vérifiez que la tension de votre réseau principal corresponde à la tension indiquée sur plaque signalétique de l'appareil (courant alternatif).
- Compte tenu des différentes normes en vigueur, si l'appareil est utilisé dans un pays autre que celui où il a été acheté, il doit être contrôlé par un centre de service agréé.
- Utilisez l'appareil sur une surface plane, stable et résistante à la chaleur, à distance des éclaboussures d'eau.
- Débranchez toujours votre appareil : après utilisation, pour le déplacer ou le nettoyer.
- En cas d'incendie, débranchez l'appareil et étouffez les flammes avec un torchon humide.
- Pour éviter d'endommager votre appareil, veuillez faire en sorte de suivre les recettes

contenues dans les consignes et sur www.t-fal.ca ; assurez-vous d'utiliser la bonne quantité d'ingrédients.

À ne pas faire

- N'utilisez pas l'appareil si ce dernier ou le cordon d'alimentation est endommagé ou s'il est tombé et présente des dommages visibles ou ne semble pas fonctionner normalement. Si cela se produit, l'appareil doit être envoyé à un centre de service agréé.
- N'utilisez pas de rallonge. Si vous décidez tout de même de le faire sous votre propre responsabilité, utilisez une rallonge en bon état et conforme à la puissance de l'appareil.
- Ne laissez pas pendre le cordon d'alimentation.
- Ne débranchez pas l'appareil en tirant sur le cordon d'alimentation.
- Ne déplacez jamais l'appareil tant qu'il contient des aliments chauds.
- Ne faites jamais fonctionner votre appareil à vide.
- N'allumez pas l'appareil près de matériaux inflammables (stores, rideaux) ou près d'une source de chaleur externe (cuisinière à gaz, plaques chauffantes, etc).
- N'entreposez pas de produits inflammables près du ou sous le meuble où l'appareil est situé.
- Ne démontez jamais l'appareil vous-même.
- Ne plongez pas le produit dans l'eau.
- N'utilisez pas de produits de nettoyage agressifs (notamment des décapants à base de soude), ni de coussinets Brillo ou d'éponges métalliques.
- N'entreposez pas votre appareil dehors. Rangez-le dans un endroit sec et bien ventilé.

Conseils/informations

- Lors de la première utilisation du produit, ce dernier peut dégager une odeur non toxique. Cela n'affectera pas son utilisation et disparaîtra rapidement.
- Pour votre sécurité, cet appareil est conforme aux normes et à la législation en vigueur (directives sur la basse tension, la compatibilité électromagnétique, les matériaux en contact avec les aliments, l'environnement, etc).
- Cet appareil est destiné à un usage domestique et intérieur uniquement. En cas d'une utilisation professionnelle, d'une utilisation inappropriée ou d'un non-respect des consignes, le fabricant décline toute responsabilité et la garantie ne s'applique pas.
- Pour votre sécurité, utilisez seulement les accessoires et les pièces détachées conçus pour votre appareil.

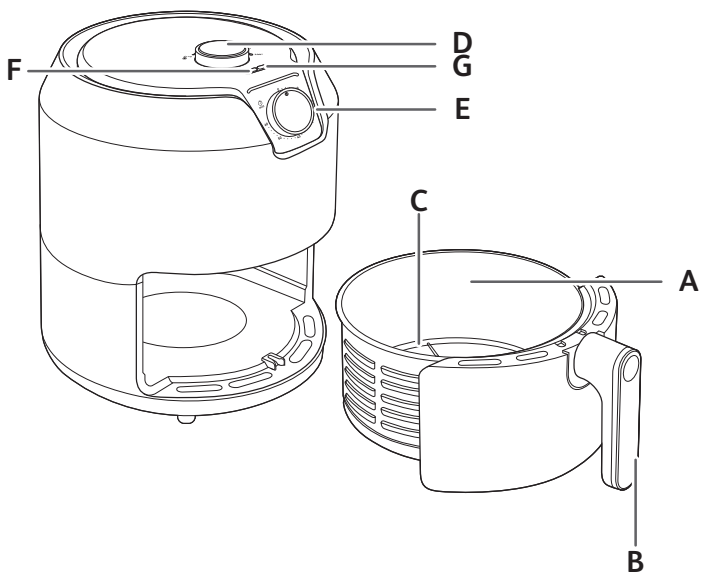
Environnement



Participons à la protection de l'environnement!

① Votre appareil contient de nombreux matériaux précieux qui peuvent être récupérés ou recyclés.

➔ Confiez-le à un centre de collecte des déchets.



DESCRIPTION

- A. Cuve
- B. Poignée de la cuve
- C. Grille amovible
- D. Bouton de contrôle de la température (80-200 °C)
- E. Minuteur (0-60 min)/bouton d'allumage
- F. Voyant lumineux
- G. Voyant de préchauffage

AVANT LA PREMIÈRE UTILISATION

1. Retirez tout le matériel d'emballage.
2. Enlevez tous les autocollants ou étiquettes de l'appareil.
3. Nettoyez bien la cuve et la grille amovible à l'eau chaude, avec du liquide vaisselle et une éponge non abrasive.
Remarque : Vous pouvez également nettoyer ces pièces au lave-vaisselle.
4. Essuyez l'intérieur et l'extérieur de l'appareil avec un chiffon humide. Easy Fry fonctionne à l'air chaud. Ne remplissez pas la cuve avec de l'huile ou de la graisse de friture.

PRÉPARATION À L'UTILISATION

1. Placez l'appareil sur une surface stable, horizontale et au niveau. Ne placez pas l'appareil sur des surfaces non thermorésistantes.
2. **Ne remplissez pas la cuve avec de l'huile ou tout autre liquide.**
Ne posez rien sur l'appareil. Cela perturbe le débit d'air et affecte le résultat de la cuisson à air chaud.

MODE D'EMPLOI DE L'APPAREIL

Easy Fry permet de cuire une large gamme d'ingrédients. Les recettes en ligne sur www.t-fal.ca vous aideront à mieux connaître l'appareil. Les temps de cuisson pour les principaux ingrédients sont indiqués dans la section « Réglages ». Vous trouverez plus de recettes sur www.t-fal.ca.

1. Insérez la fiche secteur dans une prise murale.
2. Retirez délicatement la cuve de Easy Fry.
3. Placez les ingrédients dans la cuve.
Remarque : Ne remplissez jamais la cuve au-delà de l'indication MAX et ne dépassez jamais la quantité indiquée dans le tableau (voir la section « Réglages »), car cela pourrait affecter la qualité du résultat final.
4. Remettez la cuve dans le Easy Fry.
Attention : Ne touchez pas la cuve pendant l'utilisation et un certain temps après l'utilisation, car celle-ci devient très chaude. Tenez toujours la cuve par la poignée.
5. Placez le bouton de commande de la température sur la température requise.
Voir la section « Réglages » pour déterminer la bonne température
6. Déterminez le temps de préparation requis pour l'ingrédient (voir la section « Réglages »).
7. Pour allumer l'appareil, tournez le bouton du minuteur sur le temps de préparation requis.
Ajoutez 3 minutes au temps de préparation lorsque l'appareil est froid.

Pour régler un temps court, tournez le bouton de la minuterie jusqu'à 10 minutes puis revenez au temps souhaité.

Remarque : Si vous le souhaitez, vous pouvez également laisser préchauffer l'appareil sans ingrédients à l'intérieur. Dans ce cas, tournez le bouton du minuteur sur plus de 3 minutes et attendez que le voyant de préchauffage s'éteigne (après environ 3 minutes). Ensuite, remplissez le panier et tournez le bouton du minuteur sur le temps de préparation requis.

- Le voyant de préchauffage s'allume.
 - Le minuteur commence le décompte du temps de préparation fixé.
 - Au cours du processus de friture à air chaud, le voyant de préchauffage s'allume et s'éteint régulièrement. Cela indique que l'élément chauffant s'allume et s'éteint pour maintenir la température fixée.
 - L'excès d'huile des ingrédients est collecté au fond de la cuve
8. Certains ingrédients doivent être remués à mi-cuisson (**voir la section « Réglages »**). Pour remuer les ingrédients, retirez la cuve de l'appareil en la tenant par la poignée et remuez. Ensuite, glissez à nouveau la cuve dans la friteuse à air chaud.
- Astuce : Si vous avez réglé le minuteur sur la moitié du temps de préparation, le minuteur sonne lorsque vous devez remuer les ingrédients. Cependant, cela signifie que vous devez régler à nouveau le minuteur sur le temps de préparation restant après avoir remué.
9. Lorsque vous entendez la sonnerie du minuteur, le temps de préparation défini s'est écoulé.

Retirez la cuve de l'appareil et posez-la sur une surface thermorésistante.

Remarque : Vous pouvez également éteindre l'appareil manuellement. Pour cela, tournez le bouton du minuteur sur 0.

10. Vérifiez que les ingrédients sont prêts.

Si les ingrédients ne sont pas encore prêts, réinsérez simplement la cuve dans l'appareil et réglez le minuteur sur quelques minutes supplémentaires.

11. Lorsque les ingrédients sont prêts, retirez la cuve et utilisez une pince pour retirer les ingrédients.

Attention: Lorsque vous retournez la cuve, faites attention à l'excédent d'huile collecté au fond et à la grille amovible qui peut tomber.

Après la cuisson à air chaud, la cuve, la grille et les ingrédients sont chauds. Selon le type d'ingrédients placés dans le Easy Fry, de la vapeur peut s'échapper de la cuve.

12. Lorsqu'un lot d'ingrédients est prêt, le Easy Fry est prêt instantanément pour préparer un autre lot.

RÉGLAGES

Le tableau ci-dessous vous aide à sélectionner les réglages de base pour les ingrédients que vous souhaitez préparer. **Remarque :** Gardez à l'esprit que ces réglages sont des indications. Étant donné que les ingrédients sont différents en termes de provenance, de taille, de forme et de marque, nous ne pouvons pas garantir les meilleurs réglages pour vos ingrédients.

	Quantité min/ max (g)	Temps (min)	Température (°F/°C)	Re- muez	Informations supplémentaires
Pommes de terre et frites					
Frites surgelées fines	300-700 g	15-20 min	372°F / 200°C	Remuez	
Frites maison (8 x 8 mm)	300-800 g	22-32 min	356°F / 180°C	Remuez	Ajouter une 1/2 c. à soupe d'huile
Quartiers de pommes de terre surgelées	300-800 g	22-27 min	356°F / 180°C	Remuez	Ajouter une 1/2 c. à soupe d'huile

Viandes et volailles					
Steaks congelés	100-400 g	9-17 min	356°F / 180°C		
Boulettes de viande congelées	400 g	8-12 min	356°F / 180°C		
Escalopes de poulet	100-500 g	12-19 min	356°F / 180°C		
Poulet (entier)	1200 g	60 min	180°C		

Poisson					
Filet de saumon	350 g	15-17 min	284°F / 140°C		

	Quantité min/ max (g)	Temps (min)	Température (°F/°C)	Re- muez	Informations supplémentaires
Snacks					
Nuggets de poulet surgelés	100-600 g	7-12 min	372°F / 200°C	Remuez	Prêt à cuire
Ailes de poulet surgelées	300 g	16-20 min	372°F / 200°C	Remuez	Prêt à cuire
Bâtonnets de fromages surgelés	125 g (5 pieces)	8 min	356°F / 180°C	Remuez	Prêt à cuire
Beignets d'oignon surgelés	200 g (10 pieces)	8-10 min	372°F / 200°C	Remuez	Prêt à cuire

Pâtisserie					
Muffins	4 x 100 g	18-22 min	356°F / 180°C		Utilisez un plat allant au four

Consultez les recettes en ligne du site www.t-fal.ca

CONSEILS

- Les petits ingrédients nécessitent généralement un temps de préparation légèrement plus court que les ingrédients plus volumineux.
- Une grande quantité d'ingrédients nécessite uniquement un temps de préparation légèrement plus long, une petite quantité d'ingrédients nécessite uniquement un temps de préparation légèrement plus court.
- Remuer les petits ingrédients à mi-cuisson permet d'optimiser le résultat final et peut contribuer à une meilleure homogénéité de la cuisson des ingrédients.
- Ajoutez de l'huile aux pommes de terre fraîches pour un résultat croustillant. Après avoir ajouté l'huile, faites frire vos ingrédients dans le Easy Fry dans les minutes qui suivent.
- Ne préparez pas des ingrédients extrêmement gras, tels que les saucisses, dans Easy Fry.
- Les bouchées qui peuvent être cuites au four peuvent également être cuites dans Easy Fry.
- La quantité optimale de frites pour un résultat croustillant est de 700 grammes.
- Utilisez de la pâte toute prête pour préparer des bouchées fourrées rapidement et facilement. La pâte toute prête nécessite également un temps de préparation plus court que la pâte maison.
- Placez un plat allant au four dans la cuve Easy Fry si vous souhaitez préparer un gâteau ou une quiche ou si vous voulez cuire des ingrédients fragiles ou fourrés.
- Vous pouvez également utiliser Easy Fry pour réchauffer les ingrédients. Pour réchauffer les ingrédients, réglez la température sur 160 °C pour au plus 10 minutes.

Remarque : Lorsque vous utilisez des ingrédients qui lèvent (**tels que des gâteaux, des quiches ou des muffins**), le plat allant au four ne doit pas être rempli à plus de la moitié.

FAIRE DES FRITES MAISON

Pour de meilleurs résultats, nous vous conseillons d'utiliser des frites précuites (**p. ex., surgelées**). Si vous souhaitez préparer des frites maison, veuillez suivre les étapes ci-dessous.

1. Épluchez les pommes de terre et coupez-les en bâtonnets.
2. Faites tremper les bâtonnets de pommes de terre dans un bol pendant au moins 30 minutes, retirez-les et séchez-les avec du papier absorbant.
3. Versez ½ cuillère à soupe d'huile d'olive dans un bol, placez les bâtonnets au-dessus et mélangez jusqu'à ce que les bâtonnets soient recouverts d'huile.
4. Enlevez les bâtonnets du bol avec vos doigts ou un ustensile de cuisine de sorte que l'excédent d'huile reste dans le bol. Placez les bâtonnets dans la cuve.

Remarque : Ne renversez pas le bol pour mettre tous les bâtonnets dans la cuve en une seule fois, afin d'éviter que l'excédent d'huile se retrouve au fond de la cuve.

5. Faites cuire les bâtonnets de pommes de terre conformément aux instructions de la section « Réglages ».

NETTOYAGE

Nettoyez l'appareil après chaque utilisation.

Le revêtement de la cuve et de la grille est anti-adhésif. N'utilisez pas d'ustensiles de cuisine métalliques ou des produits de nettoyage abrasifs pour les nettoyer, car cela peut endommager le revêtement anti-adhésif.

1. Retirez la fiche secteur de la prise murale et laissez l'appareil refroidir
Remarque : Retirez la cuve pour laisser la friteuse à air chaud refroidir plus rapidement.
2. Essuyez l'extérieur de l'appareil avec un chiffon humide.
3. Nettoyez la cuve et la grille à l'eau chaude, avec du liquide vaisselle et une éponge non abrasive.
Vous pouvez utiliser un liquide dégraissant pour enlever tout résidu de saleté.
Remarque : La cuve et la grille sont lavables au lave-vaisselle.
Conseil : Si la saleté adhère au fond de la cuve ou sur la grille, remplissez la cuve avec de l'eau chaude et du liquide vaisselle. Laissez tremper la cuve et la grille pendant environ 10 minutes.
4. Nettoyez l'intérieur de l'appareil avec de l'eau chaude et une éponge non abrasive.
5. Nettoyez l'élément chauffant avec une brosse nettoiyante pour retirer les résidus d'aliments.

RANGEMENT

1. Débranchez l'appareil et laissez-le refroidir
2. Assurez-vous que toutes les pièces sont propres et sèches.

ENVIRONNEMENT

Ne jetez pas l'appareil avec les ordures ménagères ordinaires à la fin de sa vie utile, mais déposez-le à un point de collecte officiel pour qu'il soit recyclé. Vous aiderez ainsi à préserver l'environnement.

GARANTIE ET SERVICE APRÈS-VENTE

Si vous avez besoin d'un service après-vente ou d'informations ou en cas de problème, veuillez consulter le site Web de T-Fal à l'adresse www.t-fal.ca ou contacter le service d'assistance à la clientèle T-Fal de votre pays. Vous trouverez le numéro de téléphone dans le livret de garantie mondiale. S'il n'y a pas de service clients dans votre pays, veuillez vous rendre chez votre distributeur T-Fal local.

DIAGNOSTIC D'ANOMALIE

Si vous rencontrez des problèmes avec votre appareil, visitez www.t-fal.ca pour consulter la foire aux questions ou contactez le service d'assistance à la clientèle de votre pays.

PRECAUCIONES IMPORTANTES

Cuando se usan artefactos eléctricos, siempre se deben seguir las precauciones básicas de seguridad, entre las que se incluyen las siguientes:

1. Lea todas las instrucciones antes de usarlo.
2. No toque las superficies calientes. Utilice las asas o perillas.
3. Para protegerse contra descargas eléctricas no sumerja el cable, los enchufes o el artefacto en agua u otro líquido.
4. Es necesario supervisar de cerca a los niños cuando se utiliza cualquier artefacto cerca de ellos.
5. Desenchufe el artefacto del tomacorriente cuando no lo esté utilizando y antes de limpiarlo. Deje que el artefacto se enfríe antes de colocarlo o retirarle piezas.
6. No haga funcionar ningún artefacto que tenga un cable o enchufe dañado, después de que el artefacto tenga problemas en su funcionamiento o que se haya dañado de cualquier forma. Devuelva el artefacto al servicio autorizado más cercano para su inspección, reparación o ajuste.
7. El uso de accesorios no recomendados por el fabricante del artefacto puede ocasionar lesiones.
8. No utilice el artefacto al aire libre.
9. No permita que el cable cuelgue por el borde de la mesa o en la encimera de la cocina, ni que esté en contacto con superficies calientes.
10. No lo coloque sobre ni cerca de un quemador a gas o eléctrico caliente, ni en un horno calentado.
11. Se debe tener precaución extrema al mover un aparato que contenga aceite caliente u otros líquidos calientes.
12. Coloque siempre el enchufe en el aparato en primer lugar (depende del modelo) y luego enchufe el cable en el tomacorriente. Para desconectarlo, gire todos los controles a la posición «off» (Apagado) y retire el enchufe del tomacorriente.
13. No utilice el aparato para otro uso que no sea el uso previsto.

14. GUARDE ESTAS INSTRUCCIONES SOLO PARA EL HOGAR..

15. Solo conecte el aparato a tomacorrientes eléctricos que tengan una carga mínima de 15 A. Si los tomacorrientes y el enchufe del aparato son incompatibles, solicite a un técnico profesional calificado que cambie el tomacorrientes por uno más adecuado.

INSTRUCCIONES DE POLARIZACIÓN


Este artefacto tiene una clavija polarizada (una patilla es más ancha que la otra). Para reducir el riesgo de descarga eléctrica, el enchufe está diseñado para entrar en un tomacorriente polarizado de una sola manera. Si el enchufe no se inserta completamente en el tomacorriente, intente enchufarlo invirtiéndolo de posición. Si sigue sin ajustarse, comuníquese con un electricista calificado. No intente cambiar la forma del enchufe.

INSTRUCCIONES SOBRE EL CABLE CORTO

No use con un cable de extensión.

Se debe proporcionar un cable de alimentación corto para reducir el riesgo que puede ocasionar el enredarse o tropezarse con un cable más largo.

INSTRUCCIÓN DE SEGURIDAD

- Este aparato está previsto para uso doméstico solamente. No está diseñado para los siguientes usos y la garantía no se aplicará para:
 - áreas de cocina con personal en tiendas, oficinas u otros entornos de trabajo;
 - granjas;
 - por clientes en hoteles, moteles y otros entornos de tipo residencial;
 - entornos del tipo hospedería.
- Este artefacto no está diseñado para ser operado a través de un temporizador externo o un sistema independiente de control remoto.
- Si el cable de alimentación está dañado, el fabricante, el agente de servicios o personas con una calificación similar deberán sustituirlo para evitar peligros.
- Este artefacto no está diseñado para ser utilizado por personas (incluidos niños) con limitaciones físicas, sensoriales o mentales, o por personas sin experiencia ni conocimiento, a menos que hayan recibido supervisión o instrucciones por parte de una persona responsable de su seguridad en cuanto al uso del artefacto.
- Se debe supervisar a los niños para impedir que jueguen con el artefacto.
-  La temperatura de las superficies accesibles pueden elevarse cuando el artefacto se encuentra en funcionamiento. No toque las superficies calientes del aparato.
- Limpie las partes desmontables con una esponja no abrasiva y líquido de lavavajillas o en un lavavajillas (depende del modelo).
- Limpie el interior y el exterior del aparato con una esponja o un paño húmedos. Consulte la sección «Limpieza» de las instrucciones de uso.
- El aparato se puede usar hasta una altitud máxima de 4000 m

Qué debe hacer

- Lea y siga las instrucciones de uso. Guárdelas en un lugar seguro.
- Retire todos los materiales de embalaje y las etiquetas o calcomanías promocionales de su aparato antes de usarlo. Asegúrese de retirar todos los materiales que estén debajo del tazón extraíble (depende del modelo).
- Verifique que el voltaje de su red de corriente corresponde al voltaje indicado en la placa de características que está en el aparato (corriente alterna).
- Dados los diversos estándares en vigencia, si el aparato se usa en un país que no sea en el cual se compró, haga que un Centro de servicio aprobado lo verifique.
- Use el aparato sobre una superficie plana, estable y resistente al calor, lejos de lugares donde pueda recibir salpicaduras de agua.

- Siempre desenchufe su aparato: después de usarlo, para moverlo o para limpiarlo.
- En caso de incendio, desenchufe el aparato y apague las llamas con un paño de cocina húmedo.
- Para evitar daños en su aparato, asegúrese de seguir las recetas en las instrucciones y en www.t-fal.ca; asegúrese de usar las cantidades correctas de los ingredientes

Qué no debe hacer

- No use el aparato si este o su cable de alimentación está dañado o si se ha caído y tiene daños visibles o parece estar funcionando de forma anormal. Si esto ocurre, se debe enviar el aparato a un Centro de servicio aprobado.
- No use con un cable de extensión. Si, no obstante lo anterior, decide hacerlo, bajo su propia responsabilidad, use un cable de extensión que esté en buenas condiciones y que sea acorde a la potencia de su aparato.
- No deje el cable de alimentación colgando.
- No desconecte el aparato tirando del cable de alimentación.
- Nunca mueva el aparato cuando todavía contiene comida caliente.
- Nunca utilice su aparato cuando esté vacío.
- No encienda el aparato si está cerca de materiales inflamables (persianas, cortinas...) o cerca de una fuente de calor externa (estufa de gas, hornillo, etc.).
- No guarde productos inflamables cerca o debajo del mueble en el cual se encuentra el aparato.
- Nunca desarme el aparato usted mismo.
- No sumerja el producto en agua.
- No use productos de limpieza (en particular, decapantes a base de bicarbonato), ni almohadillas de brillo ni estropajos.
- No guarde su aparato en el exterior. Guárdelo en un área bien ventilada y seca

Consejo o información

- Cuando use el producto por primera vez, podría liberar un olor no tóxico. Esto no afectará el uso y desaparecerá rápidamente.
- Para su seguridad, este aparato cumple con los estándares y las regulaciones aplicables (Directivas sobre bajo voltaje, Compatibilidad electromagnética, Materiales en contacto con alimentos, Medio ambiente, etc.).
- Este aparato fue diseñado solo para uso doméstico y no para exteriores. En caso de uso profesional, uso inadecuado o incumplimiento de las instrucciones, el fabricante declina toda responsabilidad y no se aplica la garantía.
- Para su seguridad, solo use los accesorios y las piezas de repuesto que están diseñadas para su aparato.

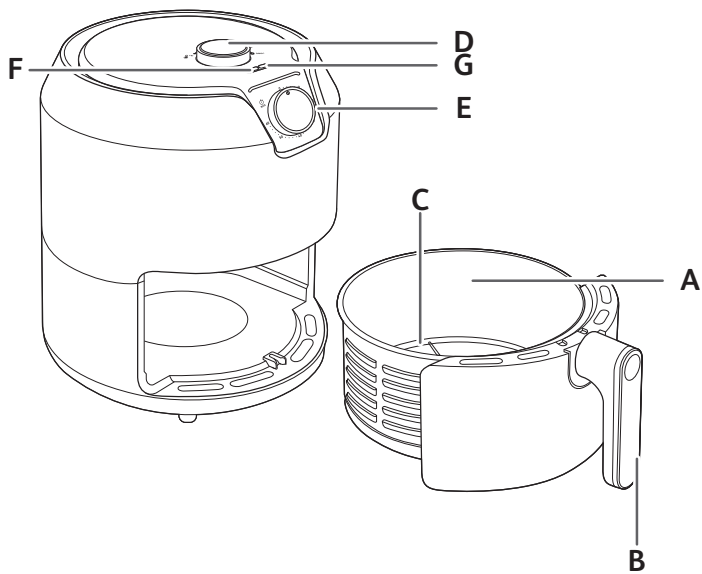
Medio ambiente



¡Primero la protección del ambiente!

① Su electrodoméstico contiene valiosos materiales que se pueden recuperar o reciclar.

➔ Déjelo en un centro local de recolección cívica de basura.



DESCRIPCIÓN

- A. Sartén
- B. Asa de la sartén
- C. Rejilla extraíble
- D. Perilla de control de temperatura (80 a 200 °C)
- E. Temporizador (0-60 min)/perilla de encendido
- F. Indicador luminoso
- G. Luz de calentamiento

ANTES DE USAR POR PRIMERA VEZ

1. Retire todo el material de embalaje.
2. Retire todas las calcomanías o etiquetas del aparato.
3. Limpie minuciosamente la sartén y la rejilla extraíble con agua caliente, un poco de líquido lavavajillas y una esponja no abrasiva.

Nota: También puede limpiar estas partes en el lavavajillas.

4. Limpie el interior y el exterior del aparato con un paño húmedo. Easy Fry funciona con aire caliente. No llene la sartén con aceite o grasa para freír.

PREPARACIÓN PARA EL USO

1. Coloque el aparato en una superficie nivelada, horizontal y estable. No coloque el aparato en superficies que no sean resistentes al calor.

No llene la sartén con aceite ni otro líquido.

No coloque nada encima del aparato. Esto interrumpe el flujo de aire y afecta el resultado de freído con aire caliente.

USO DEL APARATO

Easy Fry puede cocer una gran variedad de ingredientes. Las recetas que están en línea en www.t-fal.ca le ayudan a conocer el aparato. Los tiempos de cocción para los principales ingredientes se proporcionan en la sección «Ajustes». Puede encontrar más recetas en www.t-fal.ca.

1. Enchufe el cable de alimentación en el tomacorriente.
2. Retire cuidadosamente la sartén del Easy Fry.
3. Coloque los ingredientes en la sartén.

Nota: Nunca llene la sartén más allá de la indicación MÁX. ni exceda la cantidad indicada en el cuadro (vea la sección «Ajustes»), ya que esto podría afectar la calidad del resultado final.

4. Vuelva a deslizar la sartén dentro del Easy Fry.

Precaución: No toque la sartén durante el uso y cierto tiempo después de usarla ya que se calienta mucho. Solo sostenga la sartén por la asa.

5. Mueva la perilla de control de la temperatura hasta la temperatura requerida. Vea la sección «Ajustes» para determinar la temperatura correcta
6. Determine el tiempo de preparación requerido para el ingrediente (vea la sección «Ajustes»).

7. Para encender el aparato, gire la perilla del temporizador hasta el tiempo de preparación requerido.

Agregue 3 minutos al tiempo de preparación cuando el aparato esté frío.

Para ajustar un tiempo corto, gire la perilla del temporizador a 10 minutos y regrese al tiempo deseado.

Nota: Si lo desea, también puede dejar que el aparato se precaliente sin ingredientes en el interior. En ese caso, gire la perilla del temporizador hasta más de 3 minutos y espere hasta que la luz de calentamiento se apague (después de aprox. 3 minutos). Luego llene la sartén y gire la perilla del temporizador hasta el tiempo de preparación requerido.

- La luz de calentamiento se enciende.
- El temporizador comienza a descontar el tiempo de preparación establecido.
- Durante el proceso de freído con aire caliente, la luz de calentamiento se enciende y se apaga de vez en cuando. Esto indica que se enciende y apaga el elemento de calentamiento para mantener la temperatura establecida.
- El exceso de aceite de los ingredientes se recolecta en la parte inferior de la sartén

8. Algunos ingredientes requieren agitado a la mitad de su tiempo de preparación (**vea la sección «Ajustes»**). Para agitar los ingredientes, retire la sartén del aparato por la asa y agítela. Luego vuelva a deslizar la sartén dentro de la freidora de aire

Consejo: Si ajusta el temporizador a la mitad del tiempo de preparación, escuchará la campanilla del temporizador cuando tenga que agitar los ingredientes. No obstante, esto significa que tiene que configurar el temporizador nuevamente con el tiempo de preparación restante después de agitar.

9. **Cuando escuche la campanilla del temporizador, el tiempo de preparación establecido habrá finalizado.**

Retire la sartén del aparato y colóquela sobre una superficie resistente al calor.

Nota: También puede apagar el aparato de forma manual. Para hacerlo, gire la perilla de control del temporizador hasta 0.

10. **Verifique que los ingredientes estén preparados.**

Si los ingredientes no están listos todavía, simplemente deslice la sartén nuevamente dentro del aparato y configure el temporizador con unos minutos adicionales.

11. Vacíe la sartén dentro de un tazón o una bandeja.

Para retirar los ingredientes, use un par de pinzas para levantar los ingredientes y retirarlos de la sartén.

Precaución: Cuando gire la sartén, preste atención al exceso de aceite recogido en la parte inferior y a la rejilla extraíble que puede caerse.

No voltee la sartén porque cualquier exceso de aceite que se haya juntado en la parte inferior de la sartén se derramará sobre los ingredientes.

Después de freír con aire caliente, la sartén y los ingredientes están calientes. Según el tipo de ingredientes que haya en el Easy Fry podría salir vapor de la sartén.

12. Cuando haya una tanda de ingredientes listos, Easy Fry está listo al instante para preparar otra tanda.

AJUSTES

Este cuadro a continuación le ayuda a seleccionar los ajustes básicos para los ingredientes que desea preparar.

Nota: Recuerde que estos ajustes son indicaciones. Dado que los ingredientes difieren en su origen, tamaño, forma y marca, no podemos garantizar el mejor ajuste para sus ingredientes.

ES

	Cantidad mín. y máx. (g)	Tiempo (min)	Temperatura (°F/°C)	Agitar	Información adicional
Papas y papas fritas					
Papas fritas finas congeladas	300-700 g	15-20 min	372°F / 200°C	Agitar	
Rodajas de papa congeladas	300-800 g	22-27 min	356°F / 180°C	Agitar	agregar 1/2 cucharada de aceite

Carne de res y carne de ave					
Bistec	100-400 g	9-17 min	356°F / 180°C		
Albóndigas	400 g	8-12 min	356°F / 180°C		
Pechuga de pollo	100-500 g	12-19 min	356°F / 180°C		
Pollo (entero)	1200 g	60 min	356°F / 180°C		

Pescado					
Filete de salmón	350 g	15-17 min	284°F / 140°C		

	Cantidad mín. y máx. (g)	Tiempo (min)	Temperatura (°F/°C)	Agitar	Información adicional
Bocadillos					
Trocitos de pollo empanizados congelados	100-600 g	7-12 min	372°F / 200°C	Agitar	Use listos para el horno
Alitas de pollo congeladas	300 g	16-20 min	372°F / 200°C	Agitar	Use listos para el horno
Palitos de queso empanizados congelados	125 g (5 piezas)	8 min	356°F / 180°C	Agitar	Use listos para el horno
Aros de cebolla congelados	200 g (10 piezas)	8-10 min	372°F / 200°C	Agitar	Use listos para el horno

Horneado

Panqués	4 x 100 g	18-22 min	356°F / 180°C		Use fuente para horno
---------	-----------	-----------	---------------	--	-----------------------

Visite www.t-fal.ca para ver las recetas en línea

SUGERE

- Los ingredientes más pequeños suelen requerir un tiempo de preparación un poco más corto que los ingredientes más grandes.
- Una cantidad grande de ingredientes solo requiere un tiempo de preparación un poco más largo, una cantidad más pequeña de ingredientes solo requiere un tiempo de preparación un poco más corto.
- Agitar los ingredientes más pequeños a la mitad del tiempo de preparación optimiza el resultado final y puede ayudar a evitar ingredientes fritos de forma despareja.
- Agregue un poco de aceite a las papas fritas para obtener un resultado crujiente. Fría sus ingredientes en Easy Fry pocos minutos después de agregar el aceite.
- No prepare ingredientes extremadamente grasosos como salchichas en Easy Fry.
- Los bocadillos que se pueden preparar en un horno también se pueden preparar en Easy Fry.
- La cantidad óptima para preparar papas fritas crujientes es 700 gramos.
- Use una masa prehecha para preparar bocadillos rellenos de forma rápida y fácil. La masa prehecha también requiere un tiempo de preparación más corto que el de la masa casera.
- Coloque una fuente para horno en la cesta del Easy Fry si desea hornear un pastel o quiche o si desea freír ingredientes frágiles o ingredientes rellenos.
- También puede usar el Easy Fry para recalentar ingredientes. Para recalentar ingredientes, ajuste la temperatura a 160°C por hasta 10 minutos.

Nota: Cuando use ingredientes que se eleven (**como un pastel, quiche o panqués**) la fuente para horno no debería estar llena más de la mitad.

PREPARACIÓN DE PAPAS FRITAS CASERAS

Para obtener el mejor resultado, le aconsejamos que use papas fritas (**por ej., congeladas**) precocidas. Si desea hacer papas fritas caseras, siga los pasos a continuación.

1. Pele las papas y córtelas en forma de bastones.
2. Remoje los bastones de papa en un tazón durante al menos 30 minutos, retirelas y séquelas con papel de cocina.
3. Vierta ½ cucharada de aceite de oliva en un tazón, coloque los bastones arriba y mezcle hasta que los bastones estén recubiertos con aceite.
4. Retire los bastones del tazón con los dedos o con un utensilio de cocina para que el exceso de aceite quede en el tazón. Coloque los bastones en la sartén

Nota: No incline el tazón para poner todos los bastones en la cesta de una vez, para evitar que el exceso de aceite termine en la parte inferior de la sartén.

5. Fría los bastones de papas según las instrucciones en la sección «Ajustes».

LIMPIEZA

Limpiar el aparato después de cada uso.

La sartén y la rejilla extraíble tienen un recubrimiento antiadherente. No use utensilios metálicos o materiales de limpieza abrasivos para limpiarlas porque se podría dañar el recubrimiento antiadherente.

1. Desenchufe el cable de alimentación del tomacorriente y deje que el aparato se enfríe.
Nota: Retire la sartén para permitir que la freidora de aire se enfríe con mayor rapidez.
2. Limpie el exterior del aparato con un paño húmedo.
3. Limpie la sartén y la rejilla extraíble con agua caliente, un poco de líquido lavavajillas y una esponja no abrasiva.
Puede usar un líquido desengrasante para retirar la suciedad que reste.
Nota: La sartén y la rejilla extraíble son aptas para lavavajillas.
Consejo: Si hay suciedad pegada en la rejilla extraíble o en la parte inferior de la sartén, llene la sartén con agua caliente y algo de líquido lavavajillas. Coloque la rejilla extraíble en la sartén y déjela en remojo por aproximadamente 10 minutos.
4. Limpie el interior del aparato con agua caliente y una esponja no abrasiva.
5. Limpie el elemento de calentamiento con un cepillo de limpieza para retirar los residuos de comida que haya.

ALMACENAMIENTO

1. Desenchufe el aparato y déjelo enfriar.
2. Asegúrese de que todas las partes estén limpias y secas.

MEDIO AMBIENTE

No arroje el aparato con la basura normal del hogar cuando termine su vida útil, entréguelo en un punto de recolección oficial para su reciclado. Al hacer esto ayudará a conservar el medio ambiente.

GARANTÍA Y SERVICIO

Si necesita servicio o información o si tiene un problema, visite la página web de T-Fal, www.t-fal.ca, o comuníquese con el Centro de atención al consumidor de T-Fal en su país. Encontrará el número de teléfono en el folleto de garantía mundial. Si no hay Centro de atención al cliente en su país, vaya al distribuidor local de T-Fal.

DETECCIÓN DE PROBLEMAS

Si tiene problemas con el aparato, visite www.t-fal.ca para ver una lista de preguntas frecuentes o comuníquese con el Centro de atención al cli

Ref. NC00145125
S.A.S. SEB SELONGEY CEDEX • RC. DIJON B 302 412 226
01/2018