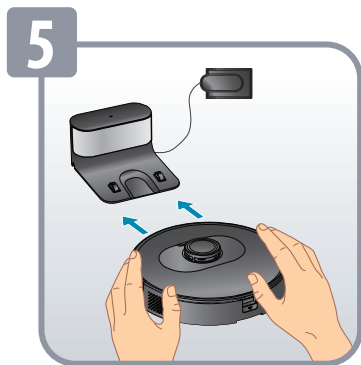
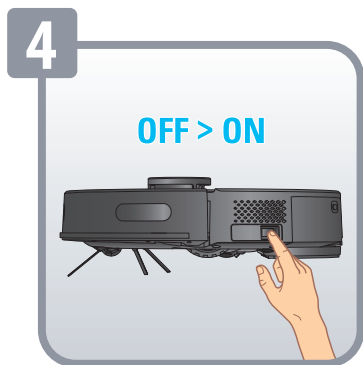
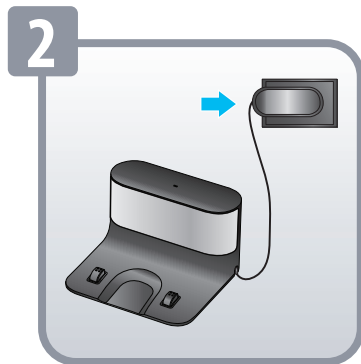
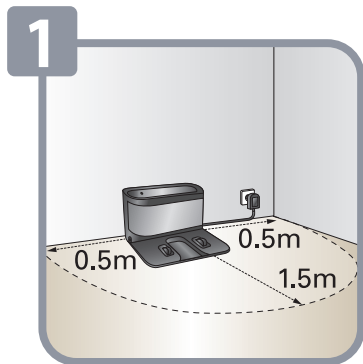


## QUICK START GUIDE

SCHNELLSTARTANLEITUNG / GUIDE DE DÉMARRAGE RAPIDE /  
GUÍA DE INICIO RÁPIDO / GUIDA RAPIDA / SNELSTARTGIDS



# XPLORER

SERIE 75S



How to connect the robot with the free App?



How to personalize the map and more?



How to use the mop?



How to maintain my robot to keep its performance?

