

SAFETY

- For your safety, this appliance complies with the applicable standards and regulations (Low Voltage Directive, Electromagnetic Compatibility, Environmental...).
- The appliance's accessories become very hot during use. Avoid contact with the skin. Make sure that the supply cord never comes into contact with the hot parts of the appliance.
- Check that the voltage of your electricity supply matches the voltage of your appliance. Any error when connecting the appliance can cause irreparable harm, not covered by the guarantee.

• For additional protection, the installation of a residual current device (RCD) having a rated residual operating current not exceeding 30 mA is advisable in the electrical circuit supplying the bathroom. Ask for installer for advice.

• The installation of the appliance and its use must however comply with the standards in force in your country.

• **WARNING:** The crossed bath tub symbol (ISO 7010-P026 (2011-05)) on the appliance means to not use this appliance near bathtubs, showers, basins or other vessels containing water.

• When the appliance is used in a bathroom, unplug it after use since the proximity of water presents a hazard even when the appliance is switched off.

• This appliance is not intended for use by persons (including children) with reduced physical, sensory or mental capabilities, or lack of experience and knowledge, unless they have been given supervision or instruction concerning use of the appliance by a person responsible for their safety. Children should be supervised to ensure that they do not play with the appliance.

• This appliance can be used by children aged from 8 years and above and persons with reduced physical, sensory or mental capabilities or lack of experience and knowledge if they have been given supervision or instruction concerning use of the appliance in a safe way and understand the hazards involved. Children shall not play with the appliance. Cleaning and user maintenance shall not be made by children without supervision.

• If the supply cord is damaged, it must be replaced by the manufacturer, its service agent or similarly qualified persons in order to avoid a hazard.

- Stop using your appliance and contact an Authorised Service Centre if:
 - your appliance has fallen.
 - it does not work correctly.
- In case of overheating, the heat-sensitive safety device will stop the dryer automatically. Check and clean the inlet and outlet grills or contact the After-Sales Service.
- The appliance must be unplugged: before cleaning and maintenance procedures, if it is not working correctly, as soon as you have finished using it, if you leave the room, even momentarily.
- Do not use if the cord is damaged.
- Do not immerse or put under running water, even for cleaning purposes.
- Do not hold with damp hands.
- Do not hold the appliance by the casing, which is hot, but by the handle.
- Do not unplug by pulling on the cord, rather pull out by the plug.
- Do not use an electrical extension lead.
- Do not clean with abrasive or corrosive products.
- Do not use at temperatures below 0°C and above 35°C.
- When storing the product by winding the cord, please leave a free space and wind it loosely to avoid the damage and bending of the cord.

• If the cable is damaged due to continuous bending, it may expose you to the risk of sparks, please stop using it immediately.

GUARANTEE

Your appliance is designed for use in the home only. It should not be used for professional purposes. The guarantee becomes null and void in the case of improper usage.

USE

This hairdryer allows for quick drying thanks to its oscillating Moving Air Booster nozzle. Plug the Moving Air Booster nozzle on the hair dryer to activate the sweeping movement of the air flow(1).

ENVIRONMENT PROTECTION FIRST!

- ① Your appliance contains valuable materials which can be recovered or recycled. Leave it at a local civic waste collection point.

These instructions are also available on our website www.tefal.com

安全

- 為保障您的安全，本裝置符合現行的標準及規章條例（低壓指令、電磁兼容性、環保指令.....）。
- 裝置配件在使用期間會變得相當滾燙，請避免接觸皮膚。確保電源線無法接觸裝置的高溫部件。
- 檢查電源電壓是否與裝置電壓相符。任何於連接裝置時產生的錯誤均可能導致無法修復的損害，而且不位於保修範圍內。

• 為了提供額外保護，我們建議您在為浴室供電的電路中安裝漏電斷路器 (RCD)，其額定剩餘動作電流不應超過 30 mA。請向安裝人員尋求建議。

• 然而，安裝及使用裝置的相關程序須符合您所在國家/地區的現行標準。

• **警告：**裝置上標有交叉浴缸符號 (ISO 7010-P026 (2011-05))，表示切勿在浴缸、淋浴間、洗手盆或其他載水容器附近使用此裝置。

• 由於裝置接近水源可引致危險（即使裝置已關閉），如在浴室使用本裝置，用後請拔除電源插頭。

• 肢體、感官或心智能力較弱，或者使用經驗或知識不足的人士（包括兒童），除非有負責其安全的人士從旁監督，或已事先向其提供本裝置的使用指示，否則均不適宜使用本裝置。兒童應有人從旁監督，以確保他們不會將本裝置當作玩具。

• 在有人從旁監督或指示如何安全使用本裝置的狀況下，且瞭解潛在危險後，本裝置可供8歲及以上兒童，以及對於身體官能或心智能力退化者，或缺乏使用經驗與知識者使用。兒童不可把玩本裝置。兒童不可在無人監督的情況下清潔及保養本裝置。

• 為免發生危險，如果電源線受損，就必須交由生產商、服務代理或有相同資格的人士更換。

- 如遇以下情況，請即停止使用裝置，並聯絡認可的維修中心：
 - 裝置曾摔落。
 - 裝置無法如常運作。
- 如裝置過熱，熱敏安全裝置將產品自動暫停。檢查並清潔入口和出口格柵或聯絡售後服務。
- 您必須在以下情況拔除裝置的電源插頭：在進行清潔和保養程序之前；裝置無法如常運作時；使用完畢後；離開房間時（即使只是暫時離開）。
- 電源線如有損壞，切勿使用。
- 即使是為了清潔，亦切勿將裝置浸入水中或置於水流下。
- 手濕時切勿拿取裝置。
- 應握住手柄部分拿取裝置，切勿觸碰高溫的裝置外殼。
- 不要用拉扯電源線的方式拔除裝置的插頭，應直接拔除插頭。
- 切勿使用電源延長線。
- 切勿以磨損性或腐蝕性產品清潔。
- 切勿在低於 0°C 和高於 35°C 的環境中使用裝置。
- 使用繞線方式存放產品時，請預留一定空間並避免緊密纏繞電源線，以免電源線損壞及折彎。

• 如果電源線因持續彎曲而損壞，可能會產生火花，請立即停止使用。

保養

本裝置只適合作家居用途，不應用於專業用途。如以不當方式使用，保養即告失效。

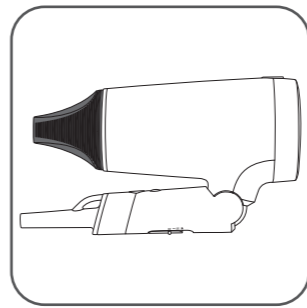
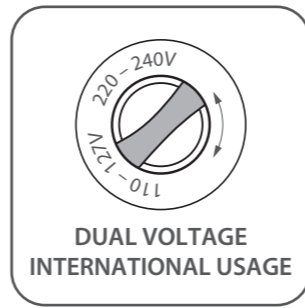
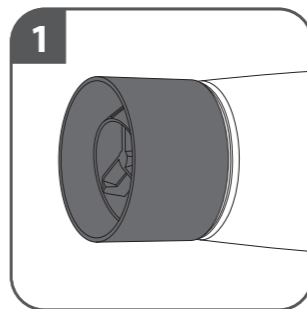
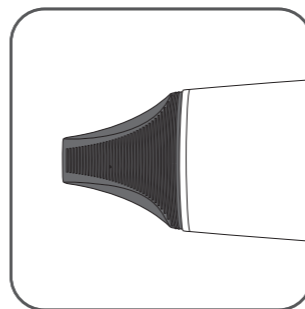
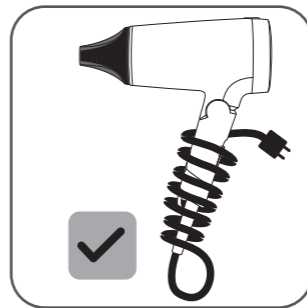
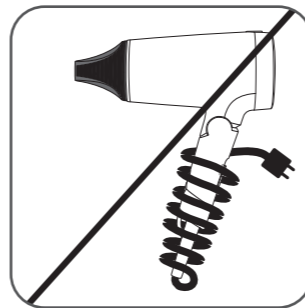
使用說明

把搖擺送風咀安裝在本裝置使用，讓秀髮快速乾燥(1)。

保護環境，人人有責！

- ① 本裝置含有可回收或循環使用的貴重物料。請將裝置丟棄到家居垃圾收集中心。

這些指引亦可於我們的網站上找到 www.tefal.com



EXPRESS STYLE HAIR DRYER

www.tefal.com

1820014220

