

Tefal®

8 in 1 Cooker



EN

DE

FR

IT

ES

NL

DA

FI

NO

SV

HU

CS

PL

BG

RO

www.tefal.com

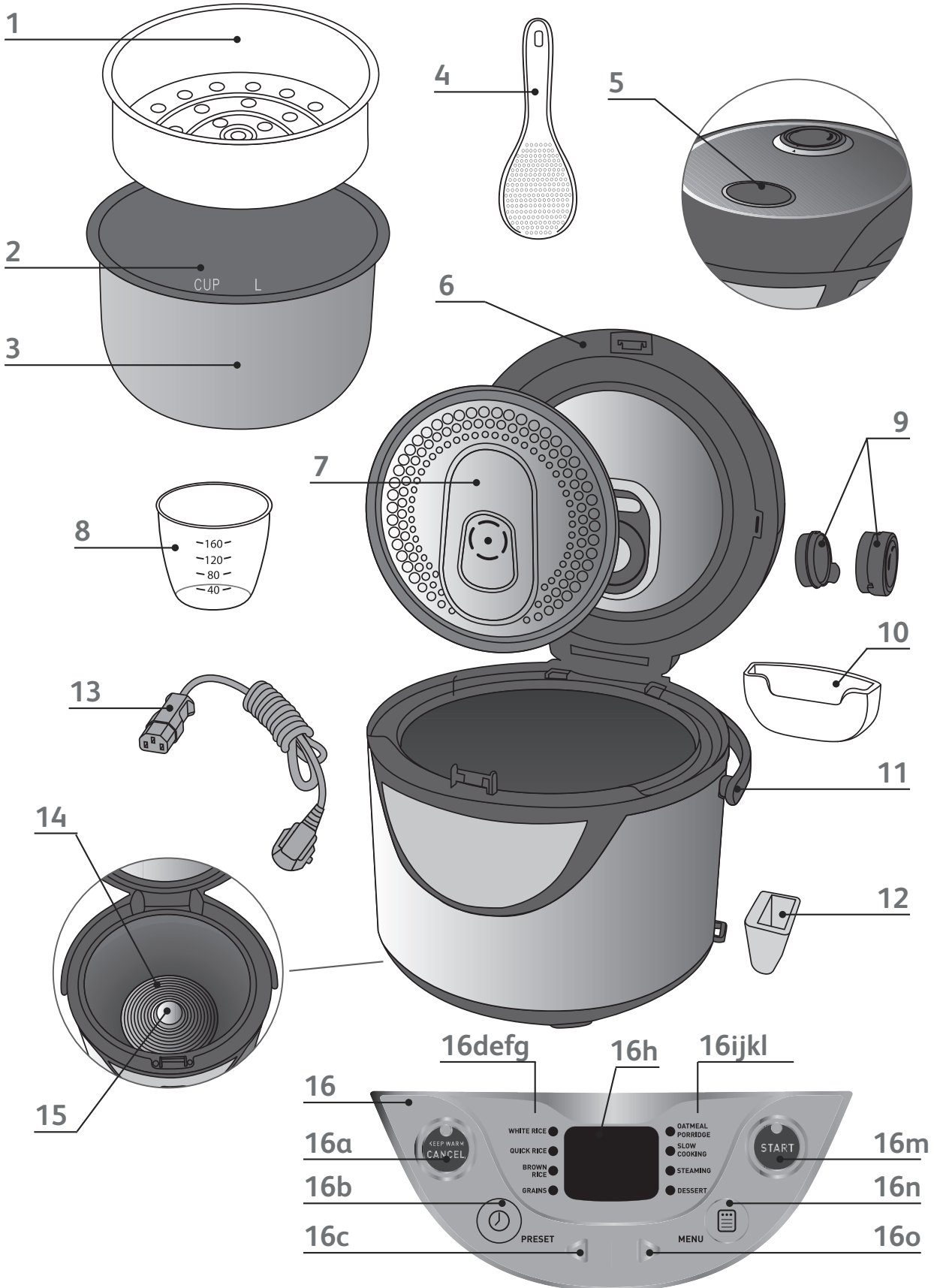




FIG.1

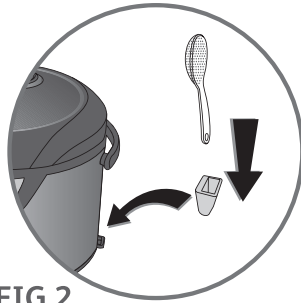


FIG.2

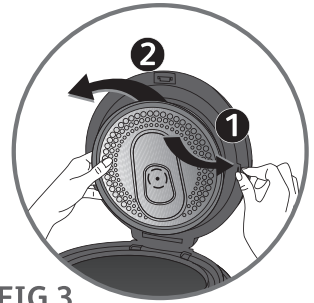


FIG.3

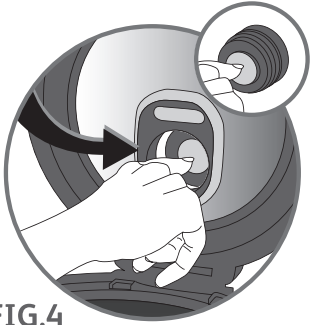


FIG.4

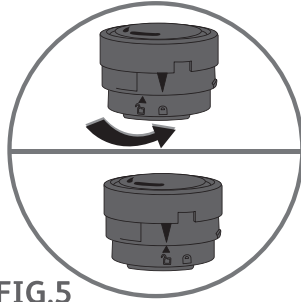


FIG.5

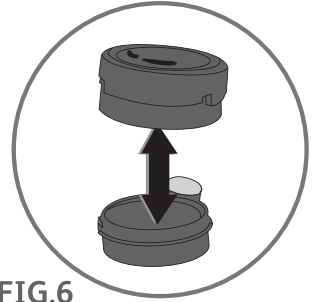


FIG.6

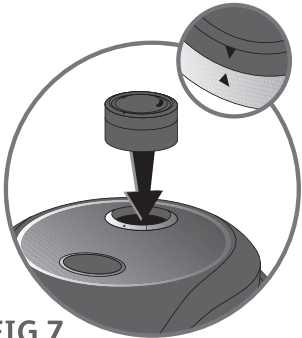


FIG.7

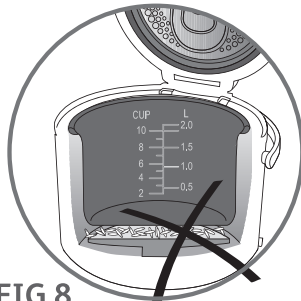


FIG.8



FIG.9



FIG.10



FIG.11

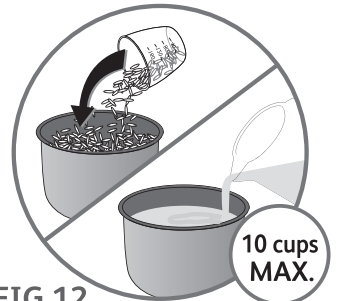


FIG.12

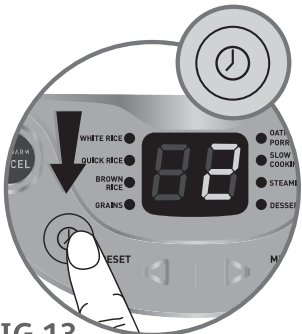


FIG.13

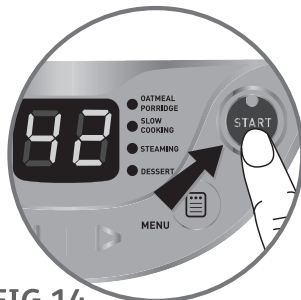


FIG.14

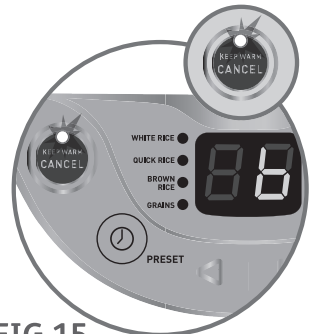


FIG.15

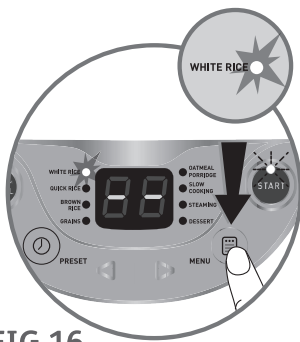


FIG. 16

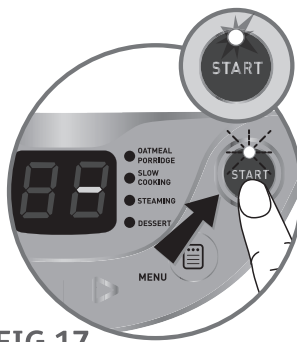


FIG. 17

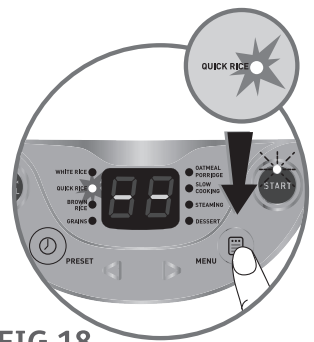


FIG. 18

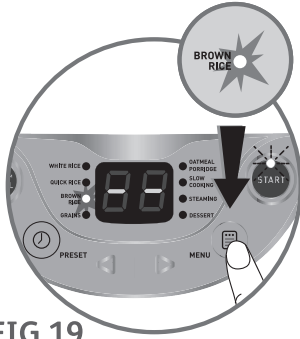


FIG. 19

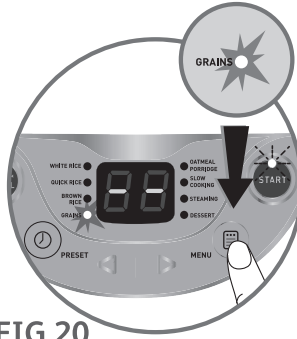


FIG. 20

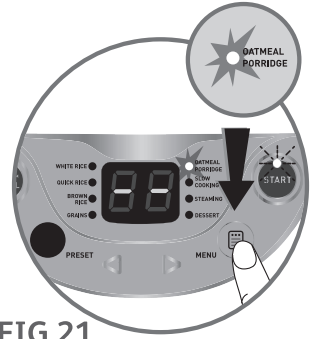


FIG. 21

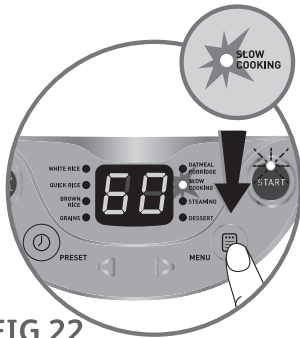


FIG. 22



FIG. 23

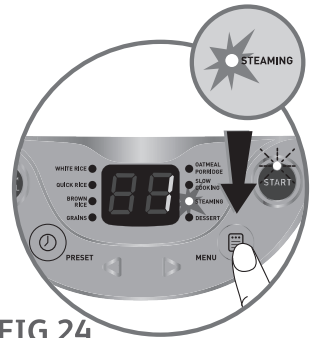


FIG. 24

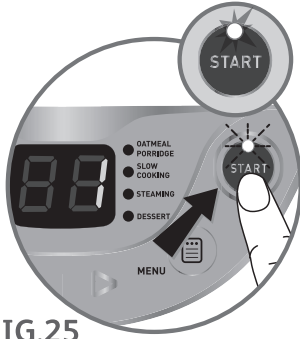


FIG. 25

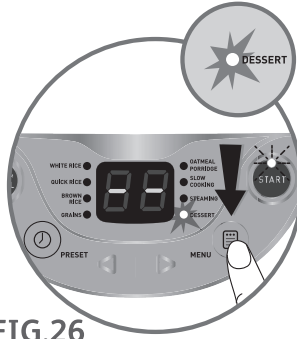


FIG. 26

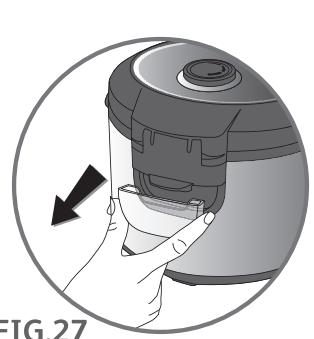


FIG. 27

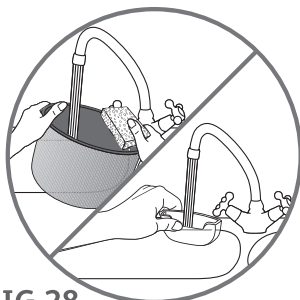


FIG. 28

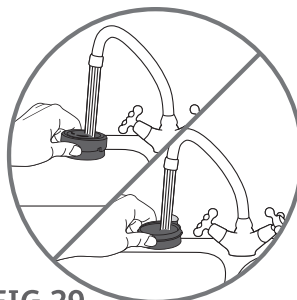


FIG. 29

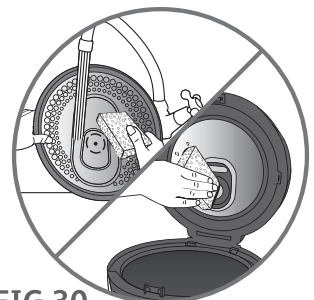


FIG. 30

Description

1. Steam basket
2. Water level marks
3. Removable non-stick bowl
4. Rice spoon
5. Lid opening button
6. Lid
7. Inner removable lid
8. Measuring cup
9. Micro pressure valve
10. Condensation collector
11. Handle
12. Spoon support
13. Power cord
14. Heating plate
15. Sensor
16. Control panel
 - a. "KEEP WARM/CANCEL" button (green)
 - b. "PRESET" button
 - c. Decrease time button
 - d. White rice cooking indicator light
 - e. Quick rice cooking indicator light
 - f. Brown rice cooking indicator light
 - g. Grains cooking indicator light
 - h. Display of cooking finish time (with selected programs only) or indication the Keep Warm function is in operation (with selected programs only)
 - i. Oatmeal/Porridge cooking indicator light
 - j. Slow cooking indicator light
 - k. Steam cooking indicator light
 - l. Dessert cooking indicator light
 - m. "START" button
 - n. "MENU" button
 - o. Increase time button

Before the first use

Unpack the appliance

- Remove the appliance from the packaging and unpack all the accessories and printed documents.
- Open the lid by pressing the opening button located on the lid – **Fig.1**.
- Install the spoon support: insert the plastic hook of the support in the hole located at the base of the product, and slide it downwards – **Fig.2**.

Read the instructions and carefully follow the operating method.

Clean the appliance

- Remove the non-stick bowl, the inner removable lid and the micro pressure valve. To remove the inner lid, press the release clip on the right side to release the lid – **Fig.3**.
- After removing the inner lid, push up the micro-pressure valve through the hole on the underside of the lid with a finger – **Fig.4**. To separate the upper and lower parts of the micro-pressure valve, rotate the valve in the unlocking direction by turning the upper triangle until it is aligned with the open padlock symbol then separate – **Fig.5** and **Fig.6**.
- Clean the bowl, the inner removable lid, the micro pressure valve and all the accessories with a sponge and washingup liquid. Wipe the outside of the appliance and the metal parts of the lid with a damp cloth.
- Dry carefully.
- The non-stick bowl, the steam basket, the condensation collector, the spoon and the cup are dishwasher safe.
- Replace the micro-pressure valve. Align the upper triangle with unlocked padlock of the micropressure valve to close up the two parts, then rotate

in locking direction until the upper triangle is aligned with the locked padlock which indicates the two parts are locked, then re-fit the micropressure valve down into the lid – **Fig.7**. Make sure that the triangle in the micropressure valve is aligned with the triangle on the lid and firmly push down until it fits in place.

- Replace the inner removable lid by fitting the tab on the left side into the slot on the lid, then push in the lid until it the tab on the right clicks into place. The wider side of the seal must be uppermost when fitting the lid.

Using your rice cooker

For all 8 functions

- Carefully wipe the outside of the bowl (especially the bottom). Make sure that there are no foreign residues or liquid underneath the bowl and on the heating plate – **Fig.8**.
- Place the bowl into the appliance – **Fig.9**, making sure that it is correctly positioned.
- Slightly rotate the bowl in both directions, so as to ensure good contact between the bottom of the bowl and the heating plate.
- Check that the condensation collector is correctly placed in position, if not, please install it by pushing firmly into the groove – **Fig.10**.
- Close the lid.
- Insert the power cord connector into the base of the appliance. Check it is firmly pushed in.
- Plug in the appliance. It will make a long "Beep" sound, the digital screen and indicator lights will flash once, then the digital screen will display "--". It indicates the rice cooker has entered the standby mode and is ready for function selection.
- Do not switch on the appliance until all of the above stages have been completed.
- Do not switch on the appliance with an empty cooking bowl.
- Do not touch the heating plate when the product is plugged.

Never place your hand on the micro pressure valve during cooking, as there is a danger of burns.

If you wish to change the selected cooking menu, press "CANCEL" button and choose the program you want.

Only use the inner bowl provided with the appliance.

Do not pour water or put ingredients in the appliance without the bowl inside.

SUMMARY OF PROGRAMS AND FUNCTIONS

Program	Delayed start (Preset)	Simmering phase (+ simmering time)	Keep Warm*
White rice	YES	YES - 14 min	YES
Quick rice	YES	YES - 10 min	YES
Brown rice	YES	YES - included in the cooking time	YES
Grains	YES	YES - 10 min	YES
Oatmeal/Porridge	YES	YES - 10 min	YES
Slow cooking	NO	NO	YES
Steaming	YES	NO	YES
Dessert	NO	NO	YES

*"Keep Warm" remains on continuously for 24 hours then the system will automatically cancel the "Keep Warm" function and return to standby mode.

Measuring the ingredients - Max capacity of the bowl

- The graduated markings on the inside of the bowl are given in litres and cups, these are used for measuring the amount of water when cooking rice – **Fig.11**.
- The plastic cup provided with your appliance is for measuring rice and the table states the quantity of rice required for the number of servings. 1 level measuring cup of rice weighs about 150 g.
- For best results, we recommend using ordinary rice rather than "easy cook" type rice which tends to give a stickier rice and may adhere to the base.
- To cook 1 cup of white rice (serves 2 small or 1 large portion), use 1 measuring cup of white rice and then add one and a half measuring cup of water. With some types of rice it is normal for a little rice to stick on the base when cooking 1 cup of rice. For best results cook 2 or more cups of rice.
- The maximum quantity of water + rice should not exceed the 10 cup mark inside the bowl – **Fig.11**.
- The cooking times given in the tables are only approximate and for your guidance.
- Place the appliance on a flat, stable, heat-resistant work surface away from water splashes and any other sources of heat.
- Measure the rice using the plastic measuring cup provided and rinse thoroughly in cold water before cooking.
- Pour the rice into the bowl. Then fill with cold water up to the corresponding "CUP" mark printed in the bowl (See cooking guide below) – **Fig.12**.
- Close the lid.

Note: Always add the rice first otherwise you will have too much water.

The rice cooker itself determines the exact cooking time depending on the quantity of water and ingredients placed in the bowl (see cooking table below for a guide to times).

COOKING GUIDE FOR WHITE RICE -10 CUPS MODEL

Measuring cups of white rice	Weight of white rice	Water level in the bowl (+ the rice)	Serves	Approximative cooking time*
2	300 g	2 cup mark	3-4	42 min
4	600 g	4 cup mark	5-6	46 min
6	900 g	6 cup mark	8-10	50 min
8	1200 g	8 cup mark	13-14	55 min
10	1500 g	10 cup mark	16-18	60 min

* The rice cooker will automatically determine the cooking time depending on the quantity of rice and water placed in the bowl. The cooking phase is automatically followed by a simmering phase.

Cooking with delayed start - "Preset" function

- It is possible to delay the cooking start time.
- Press "Menu" button until the indicator light of the required function turns on ; then press "Preset" button, and the digital screen will display the minimum preset time for the selected program (the preset time flickers, indicating preset time is not selected yet) – **Fig.13**. Press ◀ ▶ to set required preset time and then press "Start" button (preset time will include cooking time, i.e. it will end cooking when the preset time is over) – **Fig.14**. Each press will increase or decrease the preset time of one hour.
- After cooking, the "Keep Warm" indicator light will turn on and beep several times and the digital screen will display "b", indicating it's time to open the lid and serve the food – **Fig.15**.
- The maximum preset time is 15 hours. After reaching 15 hours, it will return to the default minimum preset hours.

Cooking with delayed start is for the following programs only: **White rice, Quick rice, Grains, Brown rice, Oatmeal/Porridge, Steaming.**

White rice cooking

The simmer phase is to absorb the left moisture.

- The delayed start function can be used for the "White Rice" program, with a delayed time range of between 2 to 15 hours.
- Press "Menu" button while in standby mode until the "white rice" indicator light turns on, the digital screen will display "--" and the "Start" indicator light will flicker – **Fig.16**. Press the "Start" button, the cooker will enter "White rice" cooking mode, the "Start" indicator light will remain on and the digital screen will display "-" – **Fig.17**.
- When the inner bowl is dry, the buzzer will beep twice and enter into the simmer phase for 14 minutes. The screen displays countdown of 14 minutes.
- After the countdown, the "Keep Warm" indicator light will turn on and the cooker will beep for several times and the digital screen will display "b". Open the lid ; stir the rice with the rice spoon to separate grains. The cooked rice can either be served immediately or kept warm for a proper duration – **Fig.15**.

Quick rice cooking

- The "Quick rice" Function is for cooking white rice only. The delayed start function can be used for the "Quick Rice" program, with a delayed time range of between 2 to 15 hours.
- Press "Menu" button while in standby mode until the "Quick rice" indicator light turns on, the digital screen will display "--" and the "Start" indicator light will flicker – **Fig.18**. Press the "Start" button, the cooker will enter "Quick rice" cooking mode, the "Start" indicator light will remain on and the digital screen will display "-" – **Fig.17**.

- When the inner bowl is dry, the buzzer beeps for several times, the digital screen will display "10", indicating the 10 minutes countdown for automatic simmering.
- After the countdown, the "Keep Warm" indicator light will turn on and the cooker will beep for several times and the digital screen will display "b". Open the lid ; stir the rice with paddle to avoid lumping. The cooked rice can either be served immediately or kept warm for a proper duration – **Fig.15**.
- This function features a shorter cooking time and is convenient for users who are in a hurry.
- After each use empty and clean the condensation collector.

Brown rice cooking

To cook brown rice

- The delayed start function can be used for the "Brown Rice" program, with a delayed time range of between 2 to 15 hours.
- Press "Menu" button while in standby mode until the "Brown rice" indicator light turns on, the digital screen will display "90" and the "Start" indicator light will flicker – **Fig.19**. Press the "Start" button, the cooker will enter "Brown rice" cooking model, the "Start" indicator light will remain on and the digital screen will display the countdown time – **Fig.17**.
- There is a simmering phase. The simmering time is already included in the 90 minutes cooking time.
- After simmering, the "Keep Warm" indicator light will turn on, the buzzer will beep several times and the digital screen will display "b". The cooker will enter "Keep Warm" phase – **Fig.15**.

Some recommendations for best results when cooking rice

- Measure out the rice and rinse it thoroughly under running water in a sieve for a long time (except for risotto rice which should not be rinsed). Then place the rice in the bowl together with the corresponding quantity of water.
- Make sure that the rice is well distributed around the whole surface of the bowl, in order to allow even cooking.
- Add salt to your personal taste if required.
- Water may be substituted for stock. If using stock, there is the risks of rice browning a bit on the bottom.
- Do not open the lid during cooking as steam will escape and this will affect the cooking time and the taste.

Grains Cooking

To cook grains

- The delayed start function can be used for the "Grains" program, with the delayed time range of between 2 to 15 hours.
- Press "Menu" button while in standby mode until the "Grains" indicator light turns on, the digital screen will display "--" and the "Start" indicator light will flicker – **Fig.20**. Press the "Start" button, the cooker will enter "Grains" cooking mode, the "Start" indicator light will remain on and the digital screen will display "-" – **Fig.17**.
- When the inner bowl is dry, the buzzer beeps twice, the digital screen will display "10", indicating the 10 minutes countdown for automatic simmering.
- After simmering, the "Keep Warm" indicator light will turn on, the cooker will beep for several times and the digital screen will display "b". Open the lid ; stir the grains with paddle to separate the grains. The cooked grains can either be served immediately or kept warm for a proper duration – **Fig.15**.

This program is suitable for Couscous, Bulgur Wheat, Polenta, Quinoa, Millet...

For the 10 cups model, do not exceed 5 cups of grains.

Put twice quantity of water compared to the grains you put.

Oatmeal/Porridge Cooking

To cook oatmeal or porridge

- The preset time function can be used for the "Oatmeal/Porridge" program, with a delayed time range of between 2 to 15 hours.
- Press "Menu" button while in standby mode until the "Oatmeal/Porridge" cooking indicator light turns on, the digital screen will display "--" and the "Start" indicator light will flicker – **Fig.21**. Press the "Start" button, the cooker will enter "Oatmeal/Porridge" cooking model, the "Start" indicator light will remain on and the digital screen will display "-" – **Fig.17**.
- When the water in the inner bowl gets to boiling temperature, the buzzer beeps for two times and the digital screen will display "10", indicating the cooker starts to count down from 10 minutes.
- At the end of the countdown, the "Keep Warm" indicator light will turn on, the cooker will beep several times and the digital screen will display "b". The cooker will enter "Keep Warm" status – **Fig.15**.

Slow Cooking

To slow cook

- The delayed start time is not available for the "Slow Cooking" Function.
- Press "Menu" button while in standby mode until the "Slow cooking" indicator light turns on, the digital screen will display "60" and the "Start" indicator light will flicker – **Fig.22**. The time can be adjusted from 60 minutes to 9 hours in hourly intervals.
- Press the "Start" button, the "Start" indicator light will remain on and the digital screen will display the countdown time in hourly intervals and after 60 minutes in 1 minute – **Fig.17**.
- At the end of the countdown, the "Keep Warm" indicator light will turn on, the cooker will beep several times and the digital screen will display "b". The cooker will enter "Keep Warm" mode – **Fig.15**.

Steaming (for vegetables, fish and fruit)

- The maximum quantity of water in the bowl should not exceed the maximum CUP mark shown in "CUP" on the bowl – **Fig.11**. Exceeding this level may cause overflows during use.
- The water should be lower than the steam basket.
- Filling with water to the 2 cup mark is sufficient for about 30 minutes cooking on steam program.
- Add the ingredients in the steam basket.
- Place the steam basket in the bowl – **Fig.23**.
- The delayed start function is available for the "Steam" program, with a delayed time range of between 2 to 15 hours.
- Press "Menu" button while in standby mode until the "Steam" indicator light turns on, the digital screen will display default cooking time "1" and the "Start" indicator light will flicker – **Fig.24**. Press the "Start" button to enter "Steam" cooking mode if there is no need for a delayed start, the digital screen will display "1" – **Fig.25**.
- If a delayed start has been selected, the digital screen will display the countdown of the preset time in cooking mode.
- After cooking, the buzzer will beep for several times, the "Keep Warm" indicator light will turn on and the digital screen will display "b", indicating the rice cooker enters "Keep Warm" mode – **Fig.15**. Open the lid ; the cooked preparation can either be served immediately or kept warm for a short time – **Fig.15**.

Dessert Cooking

To cook dessert

- The delayed start function time is not available for the "Dessert" Function.
- The dessert function is suitable for cooking sponge cakes.
- Press "Menu" button while in standby mode until the "Dessert" indicator light turns on, the digital screen will

display "--" and the "Start" indicator light will flicker – **Fig.26**. Press the "Start" button, the cooker will enter "Dessert" cooking mode, the "Start" indicator light will remain on and the digital screen will display "-" – **Fig.17**.

- The dessert function remains on continuously for 45 minutes then the "Keep Warm" function will turn on. After cooking, the buzzer will beep for several times, the "Keep Warm" indicator light will turn on and the digital screen will display "b", indicating the rice cooker enters "Keep Warm" status – **Fig.15**.

Automatic keep warm function

Starting your rice cooker in keep warm mode must only be used for hot food.

- The preset of time is not available for the "Keep Warm/Cancel" Function.
- Press "Keep Warm/Cancel" button while in standby mode, the "Keep Warm/Cancel" indicator light turns on and the digital screen will display "b", indicating the cooker enters keep-warm mode – **Fig.15**.
- Press "Keep Warm/Cancel" button while a program is set or a function is in working mode to cancel it and return to standby mode.
- If the cooker remains on "Keep Warm" continuously for 24 hours, the system will automatically cancel "Keep Warm" function and return to standby mode.
- The "Keep Warm" function should not be used for reheating food.

Power failure backup (short memory function)

- The cooker has a "short memory" function in case of power cuts of 3 to 10 seconds. When the power returns, the cooker returns automatically to its original setting and continues to cook. In case of long power cuts, the cooker will return to the standby mode.

On completion of cooking

The escaping steam is very hot.

Never remove the bowl after cooking without protective oven gloves.

- Open the lid.
- Serve the food using the plastic spoon supplied with the appliance and close the lid.
- The food remaining in the bowl will keep warm for any further servings.
- Don't forget to press "CANCEL" button after keep warm and unplug the appliance.

Cleaning and Maintenance

Condensation collector

- The condensation collector should be emptied and cleaned after each use.

- To remove the collector, press on each side of the plastic cover and remove – **Fig.27**.
- To put the condensation collector back, push firmly into the seating.

Bowl, condensation collector, micro pressure valve and the steam basket

- After removing the inner lid, push up the micro-pressure valve through the lid hole with finger from underside of the lid – **Fig.4**, rotate the micro-pressure valve in unlocking direction until the upper triangle is aligned with the opened padlock and finally separate the upper and lower parts of the micro-pressure valve – **Fig.5**.
- Unplug the appliance before removing the bowl. Use hot water, washing up liquid and a sponge to clean the bowl – **Fig.28**, the condensation collector – **Fig.28**, the micro pressure valve – **Fig.29**, the inner removable lid – **Fig.30**, the spoon and the cup. Scouring powders and metal sponges are not recommended.
- If food has stuck to the bottom, allow the bowl to soak for a while before washing it.
- The non-stick bowl, the steam basket, the condensation collector, the spoon and the cup are dishwasher safe.
- Dry the bowl carefully.
- Do not immerse the appliance in water, or pour water into it the interior of the appliance body.

Taking care of the bowl

- To avoid damaging the non-stick coating of the bowl do not cut food in the it.
- Use plastic or wooden utensils and not metal ones when stirring or serving food to avoid damaging the bowl surface.
- To avoid any risk of corrosion, do not pour vinegar into the bowl.
- The colour of the bowl surface may change after using for the first time or after a long period of use. This change in colour is due to the action of steam and water and does not have any effect on the use of the Rice Cooker, nor is it dangerous for your health. It is perfectly safe to continue using it.
- Do not use a handblender directly in the non-stick bowl to blend foods.

Cleaning and care of the other parts of the appliance

Let cool the product.

- Unplug the appliance before cleaning.
- Clean the outside of the Rice Cooker, the inside of the lid – **Fig.30** and the cord with a damp cloth and wipe dry. Do not use abrasive products.
- Do not use water to clean the interior of the appliance body as it could damage the heat sensor.

Technical troubleshooting guide

Malfunction description	Causes	Solution
LED screen indicates "E0".	Top major sensor open circuit or short circuit.	Send to Authorized Service Centre for repair.
LED screen indicates "E1".	<ul style="list-style-type: none"> • No bowl. • Bottom major sensor open circuit or short circuit. 	<ul style="list-style-type: none"> • Place the bowl into the appliance. Then plug in the appliance. • After replacing bowl is display still shows E1 send to Authorized Service Centre for repair.
The indicator lights are not illuminated and appliance is not heating.	Rice cooker not plugged in.	Check the power cord is firmly engaged in the rice cooker and the appliance is plugged in at the mains socket.
The indicator light is not illuminated and appliance is heating.	A problem with the internal connection of the indicator light or the indicator light is damaged.	Send to Authorized Service Centre for repair.
Steam leakage during use.	Lid is badly closed.	Open and close the lid again.
	Micropressure valve not well positioned or assembled incorrectly.	Stop the cooking (unplug the product) and check the valve is assembled correctly (2 parts locked together) and well positioned.
	Lid or micropressure valve gasket is damaged.	Send to Authorized Service Centre for repair.
Rice not fully cooked or over cooked.	Not enough or too much water compared to rice quantity.	Refer to instructions for water quantity.
Automatic Keep Warm function fails (appliance stays on cooking program or does not heat on Keep Warm).		Send to Authorized Service Centre for repair.
Water leakage on the work surface.	Condensation collector missing or condensation collector overflow.	Empty the condensation collector after each use and check it is correctly positioned.

Remark: if inner bowl is damaged, do not use it anymore and get a replacement from the Authorized Service Centre for repair.

Beschreibung

1. Dampfkorb
2. Wasserstandsanzeige
3. Herausnehmbare beschichtete Schale
4. Reislöffel
5. Knopf zum Öffnen des Deckels
6. Deckel
7. Innendeckel
8. Messbecher
9. Mikrodruckventil
10. Auffang für Kondenswasser
11. Griff
12. Löffelablage
13. Netzkabel
14. Heizplatte
15. Sensor
16. Bedienfeld
 - a. Schalter "WARMHALTEN/STOPPEN"
 - b. Schalter "VOREINSTELLUNG"
 - c. Schalter zur Zeitverkürzung
 - d. Leuchte beim Kochen von weißem Reis
 - e. Leuchte beim Kochen von Schnellreis
 - f. Leuchte beim Kochen von braunem Reis
 - g. Leuchte beim Kochen von Körnern
 - h. Anzeige des Kochendes (nur bei ausgewählten Programmen) oder Hinweis, dass die Warmhaltefunktion in Betrieb ist (nur bei ausgewählten Programmen)
 - i. Leuchte beim Kochen von Haferbrei/Grütze
 - j. Leuchte beim Langsamkochen
 - k. Leuchte beim Dämpfen
 - l. Leuchte beim Dessertkochen
 - m. "Start"-Schalter
 - n. "Menü"-Schalter
 - o. Schalter zur Zeitverlängerung

Vor der ersten Benutzung

Packen Sie das Gerät aus

- Nehmen Sie das Gerät aus der Verpackung und entnehmen Sie alle Zusatzteile und gedruckten Dokumente.
- Öffnen Sie den Deckel, indem Sie auf den Knopf auf dem Deckel drücken – **Fig.1**.
- Bringen Sie den Löffelhalter an, indem Sie den Plastikhaken des Halters in das Loch an der Unterseite des Gerätes führen und ihn nach unten schieben – **Fig.2**.

Lesen Sie sich die Bedienungsanleitung sorgfältig durch und befolgen Sie die Benutzungshinweise.

Reinigung des Gerätes

- Entnehmen Sie die beschichtete Schale, den inneren Deckel und das Mikrodruckventil. Um den inneren Deckel zu entnehmen, drücken Sie auf die Klemme an der rechten Seite – **Fig.3**.
- Nachdem Sie den Innendeckel entfernt haben, drücken Sie das Mikrodruckventil mit dem Finger durch das Loch an der Unterseite des Deckels – **Fig.4**. Um Unter- und Oberteil des Mikrodruckventils zu trennen, drehen Sie das Ventil so, dass das obere Dreieck auf das Zeichen mit dem offenen Schloss zeigt, dann trennen Sie die beiden Teile – **Fig.5** und **Fig.6**.
- Reinigen Sie den Behälter, den inneren abnehmbaren Deckel, das Mikrodruckventil und das gesamte Zubehör mit einem Schwamm und flüssigem Spülmittel. Wischen Sie das Gerät von außen und die Metallteile des Deckels mit einem feuchten Tuch ab.
- Reinigen Sie die Schale, den Innendeckel und alle Einzelteile mit einem Schwamm und Spülmittel. Wischen Sie das Gerät und die Metallteile des Deckels mit einem feuchten Tuch von außen ab.
- Vorsichtig abtrocknen.

- Setzen Sie das Mikrodruckventil wieder ein. Setzen Sie es so ein, dass das obere Dreieck auf das geöffnete Schloss zeigt und drehen Sie es dann in Verschlussrichtung, bis das Dreieck auf das geschlossenen Schloss zeigt, dann setzen Sie das Mikrodruckventil wieder in den Deckel ein – **Fig.7**. Stellen Sie sicher, dass das Dreieck auf dem Ventil auf das Dreieck am Deckel zeigt und drücken Sie das Ventil fest an seinen Platz.
- Setzen Sie den herausnehmbaren Innendeckel ein, indem Sie den Schieber auf der linken Seite in die Ausparung im Deckel einsetzen und dann drücken, bis der Schieber auf der rechten Seite einrastet. Die breitere Seite der Dichtung muss beim Einsetzen des Deckels oben liegen.

Benutzung des Reiskochers

Für alle 8 Funktionen

- Wischen Sie das Äußere der Schale sorgfältig ab (insbesondere den Boden). Stellen Sie sicher, dass sich keine sonstigen Reste oder Flüssigkeiten unterhalb der Schale oder auf der Heizplatte befinden – **Fig.8**.
- Setzen Sie die Schale in das Gerät – **Fig.9**. Stellen Sie sicher, dass sie richtig sitzt.
- Drehen Sie die Schale leicht in beide Richtungen, um einen guten Kontakt zwischen dem Schalenboden und der Heizplatte zu gewährleisten.
- Prüfen Sie, ob der Auffang für das Kondenswasser richtig platziert ist, falls nicht, setzen Sie ihn ein, indem Sie ihn fest in die Öffnung drücken – **Fig.10**.
- Schließen Sie den Deckel.
- Stecken Sie das Kabel an der Unterseite des Gerätes ein. Prüfen Sie, dass es fest sitzt.
- Schließen Sie das Gerät an. Es ertönt ein langer Piepton, die Digitalanzeige und die Anzeigenleuchten blinken kurz auf und auf der Digitalanzeige erscheint "--". Dies zeigt an, dass sich der Reiskocher im Stand-by-Modus befindet und nun eine Funktion gewählt werden kann.
- Schalten Sie das Gerät nicht ein, bevor nicht alle oben genannten Schritte ausgeführt wurden.
- Schalten Sie das Gerät nicht mit leerer Kochschale ein.
- Berühren Sie bei eingeschaltetem Gerät nicht die Heizplatte.

Berühren Sie das Mikrodruckventil während des Kochens niemals mit der Hand, da die Gefahr von Verbrennungen besteht.

Möchten Sie das gewählte Kochmenü ändern, so drücken Sie auf den "Aus"-Schalter und wählen Sie das Programm aus, das Sie möchten.

Verwenden Sie nur die Innenschale, die mit dem Gerät geliefert wird. Schütten Sie kein Wasser und keine Zutaten in das Gerät, wenn sich die Schale nicht darin befindet.

ZUSAMMENFASSUNG DER PROGRAMME UND FUNKTIONEN

Programm	Verzögerter Start (Voreinstellung)	Kochphase (+ Kochzeit)	Warmhalten*
Weißer Reis	JA	JA - 14 min	JA
Schnellkochreis	JA	JA - 10 min	JA
Brauner Reis	JA	JA - in der Kochzeit miteinbegriffen	JA
Körner	JA	JA - 10 min	JA
Haferbrei/Grütze	JA	JA - 10 min	JA
Langsam Kochen	NEIN	NEIN	JA
Dämpfen	JA	NEIN	JA
Dessert	NEIN	NEIN	JA

* "Warmhalten" bleibt für 24 Stunden eingeschaltet, dann schaltet das System die Warmhaltefunktion automatisch aus und kehrt zum Stand-by-Modus zurück.

- Die Markierungen im Innern der Schale sind in Litern und Messbechern angegeben, diese dienen zur Abmessung des Wassers beim Reis kochen – **Fig.11**.
- Der mitgelieferte Messbecher dient zum Abmessen von Reis und die Tabelle zeigt die Reismenge an, die für die jeweilige Anzahl von Portionen benötigt wird. 1 Abschnitt des Messbechers entspricht ca. 150 g Reis.
- Um ein besseres Ergebnis zu erzielen, empfehlen wir normalen Reis zu verwenden, da Schnellkochreis dazu neigt klebriger zu werden und am Boden zu haften.
- Um einen Messbecher Reis zu kochen (entspricht einer großen oder 2 kleinen Portionen) nehmen Sie 1 Messbecher weißen Reis und anderthalb Messbecher Wasser. Bei einigen Reissorten ist es normal, dass etwas Reis am Boden klebt, wenn ein Messbecher gekocht wird. Für bessere Ergebnisse kochen Sie 2 oder mehr Messbecher.
- Die maximale Menge an Wasser und Reis sollte nicht die 10-Messbecher-Markierung in der Schale übersteigen, je nach Modell – **Fig.11**.
- Die in den Tabellen angegebenen Kochzeiten sind ungefähre Angaben und dienen zu Ihrer Orientierung.
- Stellen Sie das Gerät auf eine ebene, stabile, hitzebeständige Oberfläche, geschützt vor spritzendem Wasser, oder anderen Hitzequellen.
- Messen Sie den Reis mit dem mitgelieferten Messbecher ab und spülen Sie ihn vor dem Kochen gründlich in kaltem Wasser.
- Füllen Sie den Reis in die Schale. Dann füllen Sie die Schale bis zur entsprechenden "CUP"-Markierung in der Schale mit Wasser auf. (Siehe Kochanleitung unten.) – **Fig.12**.
- Schließen Sie den Deckel.

Achten Sie darauf, dass Sie immer zuerst den Reis einfüllen, sonst haben Sie zuviel Wasser.

Der Reiskocher errechnet die benötigte Kochzeit auf Grundlage der Menge an Wasser und Zutaten in der Schale selbst. (Siehe Kochtabelle unten für ungefähre Zeitangaben).

KOCHANLEITUNG FÜR WEISSEN REIS – 10-MESSBECHER-MODELL				
Messbecher weißer Reis	Gewicht des weißen Reises	Wasserstand in der Schale (+ Reis)	Portionen	Ungefähre Kochzeit
2	300 g	2-Messbecher-Marke	3-4	42 min
4	600 g	4-Messbecher-Marke	5-6	46 min
6	900 g	6-Messbecher-Marke	8-10	50 min
8	1200 g	8-Messbecher-Marke	13-14	55 min
10	1500 g	10-Messbecher-Marke	16-18	60 min

* Der Reiskocher bestimmt in Abhängigkeit der Reis- und Wassermenge automatisch die Garzeit. Der Garvorgang startet automatisch nach der Kochphase.

Kochen mit verzögertem Beginn – Funktion "Voreinstellung"

- Der Beginn der Kochzeit kann verzögert werden.
- Drücken Sie den "Menü"-Schalter bis die Leuchte der benötigten Funktion aufleuchtet, dann drücken Sie "Voreinstellung". Auf der Digitalanzeige erscheint die minimale Voreinstellungszeit für das gewählte Programm. (Die Zeitanzeige blinkt um anzudeuten, dass die Voreinstellungszeit noch nicht gewählt wurde.) – **Fig.13**. Drücken Sie ◀ ▶ um die benötigte Voreinstellungszeit einzustellen und drücken Sie auf den "Start"-Schalter. (Die Voreinstellungszeit schließt die Kochzeit mit ein, d. h. das Kochen endet, wenn die Voreinstellungszeit vorüber ist.) – **Fig.14**. Jedes Drücken erhöht oder verringert die Voreinstellungszeit um eine Stunde.
- Nach dem Kochen leuchtet die Anzeige "Warmhalten" auf und das Gerät piept mehrmals. Auf der digitalen Anzeige erscheint "b", um zu zeigen, dass der Deckel geöffnet und das Essen serviert werden kann – **Fig.15**.
- Die maximale Voreinstellungszeit beträgt 15 Stunden. Bei mehr als 15 Stunden gelangen Sie wieder zur minimalen Voreinstellungszeit zurück.

Jochen mit verzögertem Start gilt nur für die folgenden Programme: Weißer Reis, Schnellkochreis, Körner, Brauner Reis, Haferflocken/Porridge, Dampfgaren.

Kochen von weißem Reis

Die Kochphase dient zur Aufnahme der verbliebenen Feuchtigkeit.

- Die Startverzögerungsfunktion kann für das Programm "Weißer Reis" mit einer Verzögerungszeit zwischen 2 und 15 Stunden genutzt werden.
- Drücken Sie im Stand-by-Modus den Schalter "Menü" bis die Leuchte "Weißer Reis" aufleuchtet, die Digitalanzeige zeigt "--" an und die "Start"-Anzeige blinkt – **Fig.16**. Drücken Sie auf den "Start"-Schalter. Der Kocher schaltet in den Kochmodus "Weißer Reis", die "Start"-Leuchte bleibt an und die Digitalanzeige zeigt "--" an – **Fig.17**.
- Wenn die innere Schale trocken ist, ertönt ein zweifacher Piepton und es beginnt eine Kochphase von 14 Minuten. Auf der Anzeige werden 14 Minuten heruntergezählt.
- Danach leuchtet die "Warmhalten"-Leuchte auf, der Kocher piept mehrmals und auf der Anzeige erscheint "b". Öffnen Sie den Deckel und rühren Sie den Reis um, um einzelne Körner zu trennen. Der gekochte Reis kann entweder sofort serviert oder für eine angemessene Zeit warmgehalten werden – **Fig.15**.

Kochen von Schnellreis

- Die "Schnellreis"-Funktion dient nur zum Kochen von weißem Reis. Für das "Schnellreis"-Programm kann die Startverzögerungsfunktion mit einer Verzögerungszeit zwischen 2 und 15 Stunden genutzt werden.
- Drücken Sie im Stand-by-Modus den "Menü"-Schalter bis die Leuchte "Schnellreis" aufleuchtet. Die Digitalanzeige zeigt "--" und die Startanzeige blinkt – **Fig.18**. Drücken Sie den "Start"-Schalter. Der Kocher schaltet in den Kochmodus

"Schnellreis", die "Start"-Leuchte bleibt an und die Digitalanzeige zeigt "-" an – **Fig.17**.

- Wenn die innere Schale trocken ist, piept das Gerät mehrmals und auf der Digitalanzeige erscheint "10" um eine automatische Kochzeit von 10 Minuten anzuzeigen.
- Danach leuchtet die "Warmhalten"-Leuchte auf und der Kocher piept mehrmals. Auf der Digitalanzeige erscheint "b". Öffnen Sie den Deckel und rühren Sie den Reis mit einem Kochlöffel um, um Klumpen zu vermeiden. Der gekochte Reis kann entweder sofort serviert oder für eine angemessene Zeit warmgehalten werden – **Fig.15**.
- Diese Funktion beinhaltet eine kürzere Kochzeit und eignet sich, wenn Sie es eilig haben.
- Reinigen Sie nach jedem Gebrauch den Auffang für das Kondenswasser.

Kochen von braunem Reis

Braunen Reis kochen

- Die Startverzögerungsfunktion kann für das Programm "Brauner Reis" mit einer Zeitspanne von 2 bis 15 Stunden genutzt werden.
- Drücken Sie im Stand-by-Modus den "Menü"-Schalter bis die Leuchte "Brauner Reis" aufleuchtet. Die Digitalanzeige zeigt "90" an und die "Start"-Leuchte blinkt – **Fig.19**. Drücken Sie den "Start"-Schalter. Der Kocher schaltet in den Kochmodus "Brauner Reis", die "Start"-Leuchte bleibt an und die Digitalanzeige zeigt die verbleibende Zeit an – **Fig.17**.
- Es gibt eine Kochphase, die bereits in den 90 Minuten Kochzeit miteinbegriffen ist.
- Nach dem Kochen leuchtet die "Warmhalten"-Leuchte auf, das Gerät piept mehrmals und auf der Digitalanzeige erscheint "b". Der Kocher schaltet in die Phase "Warmhalten" – **Fig.15**.

Einige Empfehlungen für beste Ergebnisse beim Reis kochen

- Dosieren Sie den Reis und spülen Sie ihn in einem Sieb länger und gründlich unter laufendem Wasser ab. (Ausgenommen hiervon ist Risottoreis, der nicht gewaschen werden sollte.) Füllen Sie dann den Reis mit der entsprechenden Menge Wasser in die Schale.
- Stellen Sie sicher, dass der Reis gleichmäßig über die ganze Schale verteilt ist, um gleichmäßiges Kochen zu gewährleisten.
- Fügen Sie Salz nach Geschmack hinzu.
- Wasser kann durch Brühe ersetzt werden. Bei der Verwendung von Brühe besteht die Gefahr, dass der Reis am Boden leicht anbrennt.
- Öffnen Sie während des Kochens nicht den Deckel, da dann Dampf entweicht und dies die Kochzeit und den Geschmack beeinflusst.

Kochen von Körnern

Körner kochen

- Die Startverzögerungsfunktion kann für das Programm "Körner" mit einer Zeitspanne von 2 bis 15 Stunden genutzt werden.
- Drücken Sie im Stand-by-Modus den "Menü"-Schalter bis die Leuchte "Körner" aufleuchtet. Die Digitalanzeige zeigt "--" und die Startanzeige blinkt – **Fig.20**. Drücken Sie den "Start"-Schalter. Der Kocher schaltet in den Kochmodus "Körner", die "Start"-Leuchte bleibt an und die Digitalanzeige zeigt "-" an – **Fig.17**.
- Wenn die innere Schale trocken ist, piept das Gerät mehrmals und auf der Digitalanzeige erscheint "10" um eine automatische Kochzeit von 10 Minuten anzuzeigen.
- Nach dem Kochen leuchtet die "Warmhalten"-Leuchte auf, das Gerät piept mehrmals und auf der Digitalanzeige erscheint "b". Öffnen Sie den Deckel und rühren Sie den Reis mit einem Kochlöffel um, um einzelne Körner zu trennen. Die gekochten Körner können entweder sofort serviert oder für eine angemessene Zeit warmgehalten werden – **Fig.15**.

Dieses Programm eignet sich für Couscous, Bulgur, Polenta, Quinoa, Hirse...

Beim 10-Messbecher-Modell dürfen 5-Messbecher Körner nicht überschritten werden.

Füllen Sie die doppelte Mengen Wasser in Bezug auf die Menge Körner ein.

Kochen von Haferbrei/Grütze

Haferbrei oder Grütze kochen

- Die Startverzögerungsfunktion kann für das Programm "Körner" mit einer Zeitspanne von 2 bis 15 Stunden genutzt werden.
- Drücken Sie im Stand-by-Modus den "Menü"-Schalter bis die Leuchte "Haferbrei/Grütze" aufleuchtet. Die Digitalanzeige zeigt "--" an und die Startanzeige blinkt – **Fig.21**. Drücken Sie den "Start"-Schalter. Der Kocher schaltet in den Kochmodus "Haferbrei/Grütze", die "Start"-Leuchte bleibt an und die Digitalanzeige zeigt "-" an – **Fig.17**.
- Erreicht das Wasser in der Innenschale Kochtemperatur, piept das Gerät zweimal, auf der Digitalanzeige erscheint "10" und der Kocher beginnt von 10 Minuten herunterzuzählen.
- Danach leuchtet die "Warmhalten"-Leuchte auf, der Kocher piept mehrmals und auf der Anzeige erscheint "b". Der Kocher schaltet in den "Warmhalten"-Status – **Fig.15**.

Langsam Kochen

Zum Langsamkochen

- Die Startverzögerung steht für die Funktion "Langsam Kochen" nicht zur Verfügung.
- Drücken Sie im Stand-by-Modus den "Menü"-Schalter bis die Leuchte "Langsam Kochen" aufleuchtet. Die Digitalanzeige zeigt "60" und die Startanzeige blinkt – **Fig.22**. Die Zeit kann auf 60 Minuten bis 9 Stunden in Stundenabständen eingestellt werden.

- Drücken Sie den "Start"-Schalter. Die "Start"-Leuchte bleibt an und die Digitalanzeige zeigt die verbleibende Zeit in Stunden, ab 60 Minuten in Minuten, an – **Fig.17**.
- Danach leuchtet die "Warmhalten"-Leuchte auf, der Kocher piept mehrmals und auf der Anzeige erscheint "b". Der Kocher schaltet in den "Warmhalten"-Status – **Fig.15**.

Dämpfen (für Gemüse, Fisch und Obst)

- Die Wassermenge in der Schale sollte nicht die Markierung "CUP" an der Schale übersteigen – **Fig.11**. Wird diese Menge überschritten, kann es zum Überlaufen kommen.
- Das Wasser sollte niedriger als der Dampfkorb sein.
- Eine Befüllung mit Wasser bis an die 2-Messbecher-Markierung reicht für ca. 30 Minuten Kochen im Dampfgarprogramm.
- Füllen Sie die Zutaten in den Dampfkorb – **Fig.23**.
- Die Startverzögerungsfunktion kann für das Programm "Dämpfen" mit einer Zeitspanne von 2 bis 15 Stunden genutzt werden.
- Drücken Sie im Stand-by-Modus den "Menü"-Schalter bis die Leuchte "Dämpfen" aufleuchtet. Die Digitalanzeige zeigt die Voreinstellung "1" an und die "Start"-Leuchte blinkt – **Fig.24**. Drücken Sie den "Start"-Schalter, wenn Sie keine Startverzögerung wünschen. Die Digitalanzeige zeigt "1" an. – **Fig.25**.
- Wird eine Startverzögerung gewählt, zeigt die Digitalanzeige die verbleibende Zeit im Kochmodus an.
- Nach dem Kochen piept das Gerät mehrmals, die "Warmhalten"-Leuchte leuchtet auf und auf der Anzeige erscheint "b". Der Kocher schaltet in den "Warmhalten"-Status. – **Fig.15**. Öffnen Sie den Deckel. Das gekochte Gericht kann entweder sofort serviert oder für kurze Zeit warmgehalten werden – **Fig.15**.

Kochen von Desserts

Um Dessert zu kochen

- Die Startverzögerung steht für die Funktion "Dessert" nicht zur Verfügung.
- Drücken Sie im Stand-by-Modus den "Menü"-Schalter bis die Leuchte "Dessert" aufleuchtet. Die Digitalanzeige zeigt "--" an und die "Start"-Leuchte blinkt – **Fig.26**. Drücken Sie den "Start"-Schalter. Der Kocher schaltet in den Kochmodus "Dessert", die "Start"-Leuchte bleibt an und die Digitalanzeige zeigt "-" an – **Fig.17**.
- Die "Dessert"-Funktion bleibt 45 Minuten eingeschaltet, danach schaltet sich die "Warmhalten"-Funktion ein. Nach dem Kochen piept das Gerät mehrmals, die Leuchte "Warmhalten" leuchtet auf und die Digitalanzeige zeigt "b" an, um anzuzeigen, dass sich der Kocher im "Warmhalten"-Status befindet – **Fig.15**.

Automatische Warmhaltefunktion

Schalten Sie Ihren Reiskocher nur dann im Warmhaltemodus ein, wenn Sie heißes Essen warmhalten wollen.

- Die Startverzögerung steht für die Funktion "Warmhalten/Stoppen" nicht zur Verfügung. Drücken Sie im Stand-by-Modus den Schalter "Warmhalten/Stoppen", die Leuchte "Warmhalten/Stoppen" leuchtet auf und die Digitalanzeige zeigt "b" an, um zu zeigen, dass der Kocher in den Warmhaltemodus schaltet – **Fig.15**.
- Drücken Sie "Warmhalten/Stoppen" wenn ein Programm eingestellt ist oder eine Funktion läuft um diese zu stoppen und in den Stand-by-Modus zurückzukehren.
- Befindet sich der Kocher für 24 Stunden ohne Unterbrechung im Warmhaltemodus, schaltet das System diesen automatisch ab und geht in den Stand-by-Modus.
- Die Funktion "Warmhalten/Stoppen" sollte nicht zum Wiederaufwärmen von Essen verwendet werden.

Netzausfallüberbrückung (Kurzzeitgedächtnisfunktion)

- Der Kocher verfügt über eine "Kurzzeitgedächtnisfunktion" für den Fall eines Stromausfalls von 3 bis 10 Sekunden. Bei Rückkehr des Stroms kehrt der Kocher automatisch zu seiner ursprünglichen Einstellung zurück und setzt das Kochen fort. Bei längeren Stromunterbrechungen schaltet der Kocher in den Stand-by-Modus.

Nach dem Kochen

Der austretende Dampf ist sehr heiß.

Entnehmen Sie nach dem Kochen die Schale niemals ohne schützende Ofenhandschuhe.

- Öffnen Sie den Deckel.
- Servieren Sie das Essen mit dem mitgelieferten Plastiklöffel und schließen Sie den Deckel.
- Das in der Schale verbleibende Essen wird für weitere Portionen warmgehalten.
- Vergessen Sie nicht, nach dem Warmhalten den Ausschalter zu drücken und den Stecker herauszuziehen.

Reinigung und Pflege Auffang für das Kondenswasser

- Der Auffang für das Kondenswasser sollte nach jeder Benutzung geleert und gereinigt werden.
- Um den Auffang zu entnehmen, drücken Sie an beiden Seiten der Plastikabdeckung und entnehmen Sie diesen. – **Fig.27**.
- Um den Auffang wieder einzusetzen, drücken Sie ihn fest in seine Position.

Schale, Dampfkorb, Kondenswasserauffang, Mikrodruckventil und Dampfkorb

DE

- Nachdem Sie den Deckel entfernt haben, drücken Sie das Mikrodruckventil durch das Loch im Deckel, indem Sie mit einem Finger von unten drücken. – **Fig.4**, Drehen Sie das Mikrodruckventil bis das obere Dreieck auf das offene Schloss zeigt und trennen Sie dann Ober- und Unterteil des Mikrodruckventils – **Fig.5**.
- Ziehen Sie den Stecker, bevor Sie die Schale entnehmen. Reinigen Sie die Schale, den Kondenswasserauffang – **Fig.28**, das Mikrodruckventil – **Fig.29**, den herausnehmbaren Innendeckel – **Fig.30**, den Löffel und den Messbecher mit heißem Wasser, Spülmittel und einem Schwamm. Scheuerpulver und Metallschwämme sollten nicht benutzt werden.
- Klebt Essen am Boden, so weichen Sie die Schale etwas ein, bevor Sie diese abwaschen.
- Die beschichtete Schale, der Dampfkorb, der Kondenswasserauffang, der Löffel und der Messbecher sind spülmaschinenfest.
- Trocknen Sie die Schale vorsichtig ab.
- Tauchen Sie das Gerät nicht ins Wasser und gießen Sie kein Wasser ins Innere des Gerätes.

Pflege der Schale

- Um Schäden an der Beschichtung der Schale zu vermeiden, schneiden Sie darin kein Essen.
- Nehmen Sie Besteck aus Plastik oder Holz und nicht aus Metall, wenn Sie umrühren oder servieren, um die Oberfläche der Schale nicht zu beschädigen.
- Um die Gefahr von Korrosion zu vermeiden, gießen Sie keinen Essig in die Schale.
- Die Farbe der Schalenoberfläche kann sich nach der ersten Benutzung oder nach längerem Gebrauch ändern. Diese Farbveränderung ist durch die Wirkung von Dampf und Wasser bedingt und hat keinen Einfluss auf die Nutzung des Reiskochers, ebenso sind damit keine gesundheitlichen Gefahren verbunden. Die Schale kann problemlos weiter verwendet werden.
- Benutzen Sie keinen Handmixer direkt in der beschichteten Schale um Zutaten zu mixen.

Reinigen und Pflegen anderer Teile des Gerätes

Lassen Sie das Gerät auskühlen.

- Ziehen Sie vor der Reinigung den Stecker.
- Reinigen Sie die Außenseite des Reiskochers, die Innenseite des Deckels – **Fig.30** und die Schnur mit einem feuchten Tuch und trocknen Sie alles ab. Verwenden Sie keine Scheuermittel.
- Nehmen Sie kein Wasser, um das Innere des Geräts zu reinigen, da dies den Hitzeindikator beschädigen könnte.

Hinweise zur Fehlerbehebung

Beschreibung des Fehlers	Gründe	Lösung
Der LED-Schirm zeigt "E0" an.	Offener Stromkreis am oberen Hauptsensor oder Kurzschluss.	Geben Sie das Gerät an eine autorisierte Reparaturwerkstatt.
Der LED-Schirm zeigt "E1" an.	<ul style="list-style-type: none"> • Schale fehlt. • Offener Stromkreis am unteren Hauptsensor oder Kurzschluss. 	<ul style="list-style-type: none"> • Setzen Sie die Schale in das Gerät ein. Stecken Sie dann den Stecker ein. • Zeigt die Anzeige nach Einsetzen der Schale immer noch E1 an, geben Sie das Gerät an eine autorisierte Reparaturwerkstatt.
Die Anzeigeleuchten leuchten nicht und das Gerät wird nicht warm.	Reiskocher nicht angeschlossen.	Überprüfen Sie, ob das Kabel fest am Reiskocher befestigt ist und ob der Stecker in der Steckdose steckt.
Die Anzeigeleuchte leuchtet nicht, aber das Gerät wird warm.	Es liegt eine Störung in der internen Verbindung der Leuchte vor, oder die Leuchte ist beschädigt.	Geben Sie das Gerät an eine autorisierte Reparaturwerkstatt.
Während der Benutzung tritt Dampf aus.	Der Deckel ist nicht richtig geschlossen.	Öffnen und schließen Sie den Deckel wieder.
	Das Mikrodruckventil ist falsch eingesetzt oder zusammengesetzt.	Stoppen Sie den Kochvorgang (Stecker ziehen) und prüfen Sie, ob das Ventil richtig zusammengesetzt (beide Teile fest verbunden) und richtig eingesetzt ist.
	Deckel oder Mikrodruckventil sind beschädigt.	Geben Sie das Gerät an eine autorisierte Reparaturwerkstatt.
Reis ist nicht gar oder übergar.	Zu wenig oder zu viel Wasser in Bezug auf die Reismenge.	Sehen Sie in der Anleitung nach der richtigen Menge Wasser.
Die automatische Warmhaltefunktion funktioniert nicht (das Gerät bleibt im Kochmodus oder wärmt im Warmhaltemodus nicht).		Geben Sie das Gerät an eine autorisierte Reparaturwerkstatt.
Wasseraustritt auf der Arbeitsoberfläche.	Fehlender oder überlaufender Kondenswasserauffang.	Entleeren Sie den Kondenswasserauffang nach jeder Benutzung und stellen Sie sicher, dass er korrekt eingesetzt ist.

Anmerkung: Ist die innere Schale beschädigt, benutzen Sie diese nicht mehr, sondern besorgen Sie sich eine Neue bei einer autorisierten Reparaturwerkstatt.

Description

1. Panier vapeur
2. Marques de niveau d'eau
3. Cuve amovible anti-adhésive
4. Cuillère à riz
5. Bouton d'ouverture du couvercle
6. Couvercle
7. Couvercle intérieur amovible
8. Cup (Tasse de mesure)
9. Soupape
10. Récupérateur de condensation
11. Poignée
12. Support de cuillère
13. Cordon d'alimentation
14. Plaque chauffante
15. Capteur
16. Panneau de commande
 - a. Bouton "MAINTIEN AU CHAUD/STOP" (vert)
 - b. Bouton "DEPART DIFFERE"
 - c. Bouton de réduction du temps
 - d. Voyant de cuisson du riz blanc
 - e. Voyant de cuisson du riz rapide
 - f. Voyant de cuisson du riz complet
 - g. Voyant de cuisson des céréales
 - h. Affichage du temps de fin de cuisson (pour certains programmes) ou indication de l'utilisation de la fonction "Maintien au chaud" (pour certains programmes)
 - i. Voyant de cuisson du riz au lait
 - j. Voyant de cuisson Mijoté/Soupe
 - k. Voyant de cuisson vapeur
 - l. Voyant de cuisson gâteau
 - m. Bouton "DÉMARRER"
 - n. Bouton "MENU"
 - o. Bouton d'augmentation du temps

FR

Avant la première utilisation

Déballez l'appareil

- Enlevez l'appareil de son emballage et déballez tous les accessoires et documents imprimés.
- Ouvrez le couvercle en appuyant sur le bouton d'ouverture situé sur le couvercle – **Fig.1.**
- Installez le support de la cuillère : insérez le crochet en plastique du support dans le trou situé en bas du produit, et faites-le glisser vers le bas – **Fig.2.**

Lisez les instructions et suivez soigneusement le mode d'emploi.

Nettoyage de l'appareil

- Retirez la cuve anti-adhésive, le couvercle intérieur amovible et la soupape. Pour retirer le couvercle intérieur, appuyez sur le clip de déverrouillage situé à droite pour libérer le couvercle – **Fig.3.**
- Une fois le couvercle intérieur retiré, à l'aide d'un doigt poussez la soupape à travers le trou situé sous le couvercle – **Fig.4.** Pour séparer les parties supérieure et inférieure de la soupape, tournez la soupape dans le sens du déverrouillage jusqu'à ce que le triangle supérieur soit aligné avec le symbole du verrou ouvert, puis séparez les deux parties – **Fig.5 et Fig.6.**
- Nettoyez la cuve, le couvercle intérieur amovible, la soupape et tous les accessoires avec une éponge et du liquide vaisselle. Essuyez l'extérieur de l'appareil et les parties métalliques du couvercle avec un chiffon humide.
- Séchez soigneusement.
- La cuve anti-adhésive, le panier vapeur, le récupérateur de condensation, la cuillère et la cup vont au lave-vaisselle.

- Remettez la soupape en place. Aligned le triangle supérieur avec le verrou ouvert de la soupape pour fermer les deux parties, puis tournez dans le sens du verrouillage jusqu'à ce que le triangle supérieur soit aligné avec le verrou fermé (ce qui indique que les deux parties sont verrouillées), puis remettez la soupape dans le couvercle – **Fig.7**. Vérifiez que le triangle de la soupape est aligné avec le triangle du couvercle et poussez fermement jusqu'à ce que la soupape soit en place.
- Remettez le couvercle intérieur amovible en place en faisant coïncider la languette de gauche dans l'emplacement correspondant du couvercle, puis poussez le couvercle jusqu'à l'endechement de la languette de droite. Le côté le plus large du joint d'étanchéité doit être le plus haut lors du montage du couvercle.

Utilisation de votre cuiseur à riz

Pour les 8 fonctions

- Essuyez soigneusement l'extérieur de la cuve (surtout le bas). Vérifiez l'absence de résidus étrangers et de liquide sous la cuve et sur la plaque chauffante – **Fig.8**.
- Mettez la cuve dans l'appareil – **Fig.9**, en vérifiant qu'elle est en bonne position.
- Tournez légèrement la cuve dans les deux sens, afin d'assurer un bon contact entre le bas de la cuve et la plaque chauffante.
- Vérifiez que le récupérateur de condensation est bien en place ; sinon, installez-le en poussant fermement dans la rainure – **Fig.10**.
- Fermez le couvercle.
- Insérez le raccord du cordon d'alimentation en bas de l'appareil. Vérifiez qu'il est bien inséré.
- Branchez l'appareil. Il produira un long bip sonore, l'écran numérique et les voyants vont clignoter une fois, puis l'écran numérique affichera "--". Cela indique que le cuiseur à riz est entré en mode veille et que vous pouvez sélectionner une fonction.
- N'allumez pas l'appareil avant d'avoir effectué toutes les étapes précédentes.
- N'allumez pas l'appareil si la cuve de cuisson est vide.
- Ne touchez pas la plaque chauffante lorsque le produit est branché.

Ne mettez jamais les mains sur la soupape en cours de cuisson, car vous risquez de vous brûler.

Si vous souhaitez modifier le menu de cuisson, appuyez sur le bouton "STOP" et choisissez le programme désiré.

Utilisez uniquement la cuve intérieure livrée avec l'appareil.

Ne versez pas d'eau et ne mettez pas d'ingrédients dans l'appareil si la cuve n'est pas à l'intérieur.

RÉSUMÉ DES PROGRAMMES ET FONCTIONS

Programme	Départ différé	Phase de mijotage (+ temps de mijotage)	Maintien au chaud*
Riz blanc	OUI	OUI - 14 min	OUI
Riz rapide	OUI	OUI - 10 min	OUI
Riz complet	OUI	OUI - inclus dans le temps de cuisson	OUI
Céréales	OUI	OUI - 10 min	OUI
Riz au lait	OUI	OUI - 10 min	OUI
Mijoté/Soupe	NON	NON	OUI
Vapeur	OUI	NON	OUI
Gâteau	NON	NON	OUI

* La fonction "Maintien au chaud" reste allumée en permanence durant 24 heures, puis le système l'annule automatiquement pour revenir en mode veille.

Cuisson du riz

— Mesure des ingrédients - Capacité max de la cuve

FR

- Les marques graduées à l'intérieur de la cuve donnent des indications en litres et cups ; elles servent à mesurer la quantité d'eau nécessaire lors de la cuisson du riz – **Fig.11**.
- La cup livrée avec l'appareil sert à mesurer le riz et le tableau indique la quantité de riz correspondante au nombre de portions. 1 cup de riz rase pèse environ 150 g.
- Nous vous conseillons d'utiliser du riz ordinaire plutôt que du riz du type "facile à cuire", qui a tendance à être plus collant et peut adhérer au fond.
- Pour cuire 1 cup de riz blanc (correspond à 2 petites portions ou 1 grande), utilisez 1 cup de riz blanc et ajoutez 1 cup et demie d'eau. Avec certains types de riz, il est normal qu'un peu de riz colle au fond lors de la cuisson d'1 cup de riz. Dans ce cas, il est conseillé de cuire au moins 2 cups de riz.
- La quantité maximale d'eau + riz ne doit pas dépasser la marque de 10 cups à l'intérieur de la cuve, selon la capacité de votre modèle – **Fig.11**.
- Les temps de cuisson indiqués dans les tableaux sont donnés à titre approximatif.
- Mettez l'appareil sur une surface de travail plane, stable, résistant à la chaleur, à l'écart des éclaboussures et d'autres sources de chaleur.
- Mesurez le riz avec la cup en plastique fournie et rincez-le bien à l'eau froide avant de le cuire.
- Versez le riz dans la cuve. Puis, remplissez la cuve d'eau froide jusqu'à la marque "CUP" correspondante imprimée dans la cuve (voir guide de cuisson ci-dessous) – **Fig.12**.
- Fermez le couvercle.

Remarque : ajoutez toujours le riz en premier, sinon vous aurez trop d'eau.

Le cuiseur à riz détermine lui-même le temps de cuisson en fonction de la quantité d'eau et des ingrédients mis dans la cuve (voir le tableau de cuisson ci-dessous pour avoir une indication des temps).

GUIDE DE CUISSON DU RIZ BLANC - MODÈLE À 10 CUPS

Cups de riz blanc	Poids du riz blanc	Niveau d'eau dans la cuve (+ le riz)	Pour	Temps de cuisson approximatif
2	300 g	Marque de 2 cups	3-4	42 min
4	600 g	Marque de 4 cups	5-6	46 min
6	900 g	Marque de 6 cups	8-10	50 min
8	1200 g	Marque de 8 cups	13-14	55 min
10	1500 g	Marque de 10 cups	16-18	60 min

* Le cuiseur à riz détermine automatiquement le temps de cuisson en fonction de la quantité de riz et d'eau mise dans la cuve. La phase de cuisson est automatiquement suivie d'une phase de mijotage.

Cuisson avec démarrage retardé - Fonction "Départ différé"

- Il est possible de retarder le démarrage de la cuisson.
- Appuyez sur le bouton "Menu" jusqu'à l'allumage du voyant de la fonction désirée ; puis, appuyez sur le bouton "Départ différé", et l'écran numérique affiche le temps minimum de présélection du programme sélectionné (le temps de présélection clignote, ce qui indique qu'il n'est pas encore sélectionné) – **Fig.13**. Appuyez sur pour sélectionner le temps de présélection désiré, puis appuyez sur le bouton "Démarrer" (le temps de présélection inclut le temps de cuisson : la cuisson se termine lorsque le temps de présélection est écoulé) – **Fig.14**. À chaque fois que vous appuyez sur le bouton, vous augmentez ou diminuez le temps de présélection d'une heure.
- Après la cuisson, le voyant "Maintien au chaud" s'allume et bipe plusieurs fois, et l'écran numérique affiche "b", ce qui indique qu'il est temps d'ouvrir le couvercle et de servir la nourriture – **Fig.15**.
- Le temps maximal de présélection est de 15 heures. Après 15 heures, l'appareil revient au nombre d'heures de présélection minimum par défaut.

La cuisson avec démarrage retardé ne s'applique qu'aux programmes suivants : Riz blanc, Riz rapide, Céréales, Riz complet, Riz au lait, Vapeur.

Cuisson du riz blanc

La phase de mijotage sert à absorber l'humidité restante.

- La fonction de départ différé peut être utilisée pour le programme "Riz blanc", dans une plage de 2 à 15 heures.
- Appuyez sur le bouton "Menu" en mode veille, jusqu'à l'allumage du voyant "riz blanc" ; l'écran numérique affiche "--" et le voyant "Démarrer" clignote – **Fig.16**. Appuyez sur le bouton "Démarrer", le cuiseur entre dans le mode de cuisson "Riz blanc", le voyant "Démarrage" reste allumé et l'écran numérique affiche "-" – **Fig.17**.
- Lorsque la cuve intérieure est sèche, la sonnerie bipe deux fois et entre dans la phase de mijotage durant 14 minutes. L'écran numérique affiche le compte à rebours de 14 minutes.
- Après la fin du compte à rebours, le voyant "Maintien au chaud" s'allume, le cuiseur bipe plusieurs fois et l'écran numérique affiche "b". Ouvrez le couvercle ; mélangez le riz à l'aide de la cuillère pour séparer les grains. Vous pouvez servir le riz cuit immédiatement ou le garder au chaud le temps voulu – **Fig.15**.

Cuisson du riz rapide

- La fonction "Riz rapide" ne s'applique qu'à la cuisson du riz blanc. La fonction de départ différé peut être utilisée pour le programme "Riz rapide", dans une plage de 2 à 15 heures.
- Appuyez sur le bouton "Menu" en mode veille, jusqu'à l'allumage du voyant "Riz rapide"; l'écran numérique affiche "--" et le voyant "Démarrer" clignote – **Fig.18**. Appuyez sur le bouton "Démarrer", le cuiseur entre dans le mode de cuisson "Riz rapide", le voyant "Démarrer" reste allumé et l'écran numérique affiche "-" – **Fig.17**.
- Lorsque la cuve intérieure est sèche, la sonnerie bipe plusieurs fois et l'écran numérique affiche "10", indiquant le compte à rebours de 10 minutes de la phase automatique de mijotage.
- Après la fin du compte à rebours, le voyant "Maintien au chaud" s'allume, le cuiseur bipe plusieurs fois et l'écran numérique affiche "b". Ouvrez le couvercle; mélangez le riz avec une spatule pour éviter la formation de grumeaux. Vous pouvez servir le riz cuit immédiatement ou le garder au chaud le temps voulu – **Fig.15**.
- Cette fonction a un temps de cuisson plus court; elle peut être utile si vous manquez de temps.
- Après chaque utilisation, videz et nettoyez le récupérateur de condensation.

Cuisson du riz complet

Pour cuire le riz complet

- La fonction de départ différé peut être utilisée pour le programme "Riz complet", dans une plage de 2 à 15 heures.
- Appuyez sur le bouton "Menu" en mode veille, jusqu'à l'allumage du voyant "Riz complet"; l'écran numérique affiche "90" et le voyant "Démarrer" clignote – **Fig.19**. Appuyez sur le bouton "Démarrer", le cuiseur entre dans le mode de cuisson "Riz complet", le voyant "Démarrer" reste allumé et l'écran numérique affiche le compte à rebours – **Fig.17**.
- Il y a une phase de mijotage. Le temps de mijotage est déjà inclus dans le temps de cuisson de 90 minutes.
- Après la fin du mijotage, le voyant "Maintien au chaud" s'allume, la sonnerie bipe plusieurs fois et l'écran numérique affiche "b". Le cuiseur entre dans la phase de "Maintien au chaud" – **Fig.15**.

Conseils pour la cuisson du riz

- Mesurez le riz et rincez-le bien dans une passoire à l'eau courante (sauf pour un risotto: dans ce cas, il ne faut pas rincer le riz). Puis, mettez le riz dans la cuve avec la quantité d'eau correspondante.
- Vérifiez que le riz est bien réparti sur toute la surface de la cuve, afin d'assurer une cuisson uniforme.
- Salez selon votre goût.

- Vous pouvez remplacer l'eau par du bouillon. Si vous utilisez du bouillon, il est possible que le riz brunisse un peu au fond.
- N'ouvrez pas le couvercle pendant la cuisson, car l'échappement de vapeur modifiera le temps de cuisson et le goût.

Cuisson des céréales

Pour cuire des céréales

- La fonction de départ différé peut être utilisée pour le programme "Céréales", dans une plage de 2 à 15 heures.
- Appuyez sur le bouton "Menu" en mode veille, jusqu'à l'allumage du voyant "Céréales" ; l'écran numérique affiche "--" et le voyant "Démarrer" clignote – **Fig.20**. Appuyez sur le bouton "Démarrer", le cuiseur entre dans le mode de cuisson "Céréales", le voyant "Démarrer" reste allumé et l'écran numérique affiche "-" – **Fig.17**.
- Lorsque la cuve intérieure est sèche, la sonnerie bipe deux fois et l'écran numérique affiche "10", indiquant le compte à rebours de 10 minutes de la phase automatique de mijotage.
- Après la fin du mijotage, le voyant "Maintien au chaud" s'allume, le cuiseur bipe plusieurs fois et l'écran numérique affiche "b". Ouvrez le couvercle ; mélangez les céréales avec une spatule pour séparer les grains. Vous pouvez servir les céréales cuites immédiatement ou les garder au chaud le temps voulu – **Fig.15**.

Ce programme s'applique au Couscous, Boulgour, Polenta, Quinoa, Millet...

Pour le modèle à 10 cups, ne dépassez pas 5 cups de céréales. Mettez deux volumes d'eau pour un volume de céréales.

Cuisson du riz au lait

Pour cuire du riz au lait

- Vous pouvez utiliser la fonction départ différé pour le programme "Riz au lait", dans une plage de 2 à 15 heures.
- Appuyez sur le bouton "Menu" en mode veille, jusqu'à l'allumage du voyant "Riz au lait" ; l'écran numérique affiche "--" et le voyant "Démarrer" clignote – **Fig.21**. Appuyez sur le bouton "Démarrer", le cuiseur entre dans le mode de cuisson "Riz au lait", le voyant "Démarrer" reste allumé et l'écran numérique affiche "-" – **Fig.17**.
- Lorsque le liquide de la cuve intérieure atteint la température d'ébullition, la sonnerie bipe deux fois et l'écran numérique affiche "10", indiquant que le cuiseur démarre le compte à rebours de 10 minutes.
- À la fin du compte à rebours, le voyant "Maintien au chaud" s'allume, le cuiseur bipe plusieurs fois et l'écran numérique affiche "b". Le cuiseur entre dans l'état "Maintien au chaud" – **Fig.15**.

Cuisson Mijoté/Soupe

Pour cuire lentement

- Vous ne pouvez pas utiliser le départ différé avec la fonction "Mijoté/Soupe".
- Appuyez sur le bouton "Menu" en mode veille, jusqu'à l'allumage du voyant "Mijoté/Soupe" ; l'écran numérique affiche "60" et le voyant "Démarrer" clignote – **Fig.22**. Vous pouvez régler le temps de 60 minutes à 9 heures par incrément d'une heure.
- Appuyez sur le bouton "Démarrer", le voyant "Démarrer" reste allumé et l'écran numérique affiche le compte à rebours en heures, puis en minutes (lorsqu'il reste moins d'une heure) – **Fig.17**.
- À la fin du compte à rebours, le voyant "Maintien au chaud" s'allume, le cuiseur bipse plusieurs fois et l'écran numérique affiche "b". Le cuiseur entre dans le mode de "Maintien au chaud" – **Fig.15**.

Vapeur (pour les légumes, le poisson et les fruits)

- La quantité d'eau maximale dans la cuve ne doit pas dépasser la marque maximum de "CUP" sur la cuve – **Fig.11**. Sinon, cela peut produire des débordements en cours de cuisson.
- Le niveau d'eau doit être inférieur au panier vapeur.
- Il suffit d'ajouter de l'eau jusqu'à la marque correspondant à 2 cups pour environ 30 minutes de cuisson au programme vapeur.
- Ajoutez les ingrédients dans le panier vapeur.
- Mettez le panier vapeur dans la cuve – **Fig.23**.
- La fonction de départ différé peut être utilisée pour le programme "Vapeur", dans une plage de 2 à 15 heures.
- Appuyez sur le bouton "Menu" en mode veille, jusqu'à l'allumage du voyant "Vapeur" ; l'écran numérique affiche "1" (temps de cuisson par défaut) et le voyant "Démarrer" clignote – **Fig.24**. Appuyez sur le bouton "Démarrer" pour entrer dans le mode "Vapeur" si vous n'avez pas besoin de départ différé ; l'écran numérique affiche "1" – **Fig.25**.
- En cas de sélection d'un départ différé, l'écran numérique affiche le compte à rebours du temps de présélection dans le mode de cuisson.
- À la fin de la cuisson, la sonnerie bipse plusieurs fois, le voyant "Maintien au chaud" s'allume et l'écran numérique affiche "b", indiquant que le cuiseur à riz entre dans le mode "Maintien au chaud" – **Fig.15**. Ouvrez le couvercle ; vous pouvez servir la préparation immédiatement ou la garder au chaud pendant quelques minutes – **Fig.15**.

Cuisson des gâteaux

Pour cuire un gâteau

- Vous ne pouvez pas utiliser le départ différé avec la fonction "Gâteau".
- Appuyez sur le bouton "Menu" en mode veille, jusqu'à l'allumage du voyant "Gâteau" ; l'écran numérique affiche "--" et le voyant "Démarrer" clignote – **Fig.26**. Appuyez sur le bouton "Démarrer", le cuiseur entre dans le mode de cuisson "Gâteau", le voyant "Démarrer" reste allumé et l'écran numérique affiche "--" – **Fig.17**.

- La fonction "Gâteau" reste allumée en permanence durant 45 minutes, puis la fonction "Maintien au chaud" s'allume. À la fin de la cuisson, la sonnerie bipe plusieurs fois, le voyant "Maintien au chaud" s'allume et l'écran numérique affiche "b", indiquant que le cuiseur à riz entre dans le mode "Maintien au chaud" – Fig.15.

Fonction automatique de maintien au chaud

Le démarrage du cuiseur à riz en mode de maintien au chaud est réservé aux aliments chauds.

- Vous ne pouvez pas utiliser de départ différé avec la fonction "Maintien au chaud/Stop".
- Appuyez sur le bouton "Maintien au chaud/Stop" en mode veille ; le voyant "Maintien au chaud/Stop" s'allume et l'écran numérique affiche "b", indiquant que le cuiseur entre dans le mode de maintien au chaud – Fig.15.
- Appuyez sur le bouton "Maintien au chaud/Stop" lorsqu'un programme est sélectionné ou qu'une fonction est en cours d'utilisation pour l'annuler et revenir en mode veille.
- Si le cuiseur reste dans le mode "Maintien au chaud" en permanence durant 24 heures, le système l'annule automatiquement pour revenir en mode veille.
- N'utilisez pas la fonction "Maintien au chaud" pour réchauffer des aliments.

Reprise en cas de coupure de courant (fonction de mémoire courte)

- Le cuiseur est doté d'une fonction de "mémoire courte" en cas de coupures de courant de 3 à 10 secondes. Au retour du courant, le cuiseur revient automatiquement dans sa configuration initiale et reprend la cuisson. Dans le cas de longues coupures de courant, le cuiseur revient en mode veille.

À la fin de la cuisson

La vapeur qui s'échappe est très chaude.

Ne jamais retirer la cuve après la cuisson sans utiliser des gants de protection.

- Ouvrez le couvercle.
- Servez la nourriture à l'aide de la cuillère en plastique livrée avec l'appareil et fermez le couvercle.
- Les aliments restant dans la cuve sont maintenus au chaud.
- N'oubliez pas d'appuyer sur le bouton "STOP" après le maintien au chaud et de débrancher l'appareil.

Nettoyage et entretien

Récupérateur de condensation

- Videz et nettoyez le récupérateur de condensation après chaque utilisation.
- Pour retirer le récupérateur, appuyez de chaque côté du couvercle en plastique – Fig.27.
- Pour remettre en place le récupérateur de condensation, poussez-le fermement dans son support.

Cuve, panier vapeur, récupérateur de condensation, soupape et panier vapeur

FR

- Après avoir retiré le couvercle intérieur, à l'aide d'un doigt poussez la soupape à travers le trou situé sous le couvercle – **Fig.4**, tournez la soupape dans le sens du déverrouillage jusqu'à ce que le triangle supérieur soit aligné avec le verrou ouvert, puis séparez les parties supérieure et inférieure de la soupape – **Fig.5**.
- Débranchez l'appareil avant de retirer la cuve. Utilisez de l'eau chaude, du liquide vaisselle et une éponge pour nettoyer la cuve – **Fig.28**, le récupérateur de condensation – **Fig.28**, la soupape – **Fig.29**, le couvercle intérieur amovible – **Fig.30**, la cuillère et la cup. Les poudres à récurer et les éponges métalliques ne sont pas recommandées.
- Si de la nourriture est collée au fond, laissez tremper la cuve avant de la laver.
- La cuve anti-adhésive, le panier vapeur, le récupérateur de condensation, la cuillère et la cup vont au lave-vaisselle.
- Séchez soigneusement la cuve.
- Ne pas immerger l'appareil dans l'eau, ne pas verser d'eau à l'intérieur du corps de l'appareil.

Entretien de la cuve

- Afin d'éviter d'endommager le revêtement anti-adhésif de la cuve, ne pas couper de nourriture à l'intérieur de celle-ci.
- Pour mélanger ou servir des aliments, utilisez des ustensiles en plastique ou en bois (surtout pas en métal), afin d'éviter d'endommager la surface de la cuve.
- Afin d'éviter les risques de corrosion, ne pas verser de vinaigre dans la cuve.
- La couleur de la surface de la cuve peut changer après la première utilisation ou après une longue période d'utilisation. Ce changement de couleur est dû à l'action de la vapeur et de l'eau ; cela n'a aucun effet sur l'utilisation du cuiseur à riz, et n'est pas dangereux pour la santé. Vous pouvez continuer à l'utiliser en toute sécurité.
- Ne pas utiliser de mélangeur manuel directement dans la cuve anti-adhésive pour mélanger des aliments.

Nettoyage et entretien des autres parties de l'appareil

Attendez que le produit refroidisse.

- Débranchez l'appareil avant de le nettoyer.
- Nettoyez l'extérieur du cuiseur à riz, l'intérieur du couvercle – **Fig.30** et le cordon à l'aide d'un chiffon humide et essuyez. Ne pas utiliser de produits abrasifs.
- Ne pas utiliser d'eau pour nettoyer l'intérieur du corps de l'appareil, car cela pourrait endommager le capteur de chaleur.

Guide de dépannage technique

Description du dysfonctionnement	Causes	Solution
L'écran numérique indique "E0".	Court-circuit ou circuit ouvert du capteur principal supérieur.	Envoyez l'appareil à un centre de service agréé pour le faire réparer.
L'écran numérique indique "E1".	<ul style="list-style-type: none"> • Absence de cuve. • Court-circuit ou circuit ouvert du capteur principal inférieur. 	<ul style="list-style-type: none"> • Mettez la cuve dans l'appareil. Puis, branchez l'appareil. • Si après avoir remis la cuve, l'écran continue d'afficher E1, envoyez l'appareil à un centre de service agréé pour le faire réparer.
Les voyants ne s'allument pas et l'appareil ne chauffe pas.	Le cuiseur à riz n'est pas branché.	Vérifiez que le cordon d'alimentation est bien inséré dans le cuiseur à riz et que l'appareil est branché à une prise secteur.
Le voyant ne s'allume pas et l'appareil ne chauffe pas.	Problème de connexion interne du voyant ou voyant endommagé.	Envoyer l'appareil à un centre de service agréé pour le faire réparer.
Fuite de vapeur en cours d'utilisation.	Le couvercle est mal fermé.	Ouvrez et refermez le couvercle.
	La soupape n'est pas en bonne position ou elle est mal montée.	Arrêtez la cuisson (débranchez le produit) et vérifiez que la soupape est bien montée (2 parties attachées ensemble) et bien placée.
	Le couvercle ou la soupape sont endommagés.	Envoyer l'appareil à un centre de service agréé pour le faire réparer.
Le riz n'est pas assez cuit ou trop cuit.	Quantité d'eau insuffisante ou excessive par rapport à la quantité de riz.	Reportez-vous aux instructions au sujet de la quantité d'eau nécessaire.
Panne de la fonction automatique de maintien au chaud (l'appareil reste dans le programme de cuisson ou ne chauffe pas dans le mode Maintien au chaud).		Envoyer l'appareil à un centre de service agréé pour le faire réparer.
Fuite d'eau sur la surface de travail.	Absence ou débordement du récupérateur de condensation.	Videz le récupérateur de condensation après chaque utilisation et vérifiez qu'il est en bonne position.

Remarque : si la cuve intérieure est endommagée, ne l'utilisez plus : procurez-vous en une autre ou faites-la réparer dans un centre de service agréé.

Descrizione

1. Cestello vapore
2. Indicatori di livello dell'acqua
3. Recipiente anti-aderente rimovibile
4. Cucchiaino da riso
5. Pulsante di apertura del coperchio
6. Coperchio
7. Coperchio rimovibile interno
8. Dosatore
9. Valvola di micro-pressione
10. Raccogli-condensa
11. Impugnatura
12. Supporto cucchiaino
13. Cavo di alimentazione
14. Piastra di riscaldamento
15. Sensore
16. Pannello di controllo
 - a. Pulsante "MANTENERE AL CALDO/ ANNULLARE" (KEEP WARM/CANCEL) (verde)
 - b. Pulsante "PREIMPOSTATO" (PRESET)
 - c. Pulsante di riduzione orario
 - d. Spia di indicazione cottura riso bianco
 - e. Spia di indicazione cottura risotto
 - f. Spia di indicazione cottura riso integrale
 - g. Spia di indicazione cottura cereali
 - h. Display orario di fine cottura (solo con i programmi selezionati) o indicazione di funzionamento della funzione Mantenere al caldo (Keep Warm) (solo con i programmi selezionati)
 - i. Oatmeal/Porridge cooking indicator light
 - j. Spia di indicazione cottura lenta
 - k. Spia di indicazione cottura a vapore
 - l. Spia di indicazione cottura dessert
 - m. Pulsante "AVVIO" (START)
 - n. Pulsante "MANU" (MENU)
 - o. Pulsante di aumento orario

IT

Prima dell'uso iniziale

Aprire la confezione

- Rimuovere l'elettrodomestico dalla confezione ed estrarre tutti gli accessori e i documenti stampati.
- Aprire il coperchio premendo il pulsante di apertura presente sul coperchio – **Fig.1**.
- Installare il supporto cucchiaino: inserire il gancio di plastica del supporto nel foro sito alla base del prodotto e farlo scorrere verso il basso – **Fig.2**.

Leggere le istruzioni e seguire con attenzione il metodo di funzionamento.

Pulire il prodotto

- Rimuovere il recipiente anti-aderente, il coperchio rimovibile interno e la valvola di micro-pressione. Per rimuovere il coperchio interno, premere la clip di sblocco sul lato destro per rilasciare il coperchio – **Fig.3**.
- Dopo avere rimosso il coperchio interno, premere con un dito in alto la valvola di micro-pressione attraverso il foro nel lato inferiore del coperchio – **Fig.4**. Per separare le parti superiori e inferiori della valvola di micro-pressione, ruotare la valvola nella direzione di sblocco ruotando il triangolo superiore fino a quando viene allineato al simbolo del lucchetto aperto, quindi separare – **Fig.5 e Fig.6**.
- Pulire il recipiente, il coperchio interno rimovibile, la valvola di micro-pressione e tutti gli accessori con una spugna e liquido apposito.

Strofinare la parte esterna dell'elettrodomestico e le parti in metallo del coperchio con un panno umido.

- Asciugare con cura.
- Il recipiente anti-aderente, il cestello vapore, il raccoglitore della condensa, il cucchiaio e il dosatore sono lavabili in lavatrice.
- Sostituire la valvola di micro-pressione. Allineare il triangolo superiore con il lucchetto sbloccato della valvola di micro-pressione per chiudere le due parti, quindi ruotare nella direzione del bloccaggio fino a quando il triangolo superiore è bloccato con il lucchetto chiuso, che indica che le due parti sono bloccate; quindi, rimontare la valvola di micro-pressione nel coperchio – **Fig.7**. Verificare che il triangolo nella valvola di micro-pressione sia allineato con il triangolo sul coperchio e premere fermamente fino a quando viene posizionato.
- Sostituire il coperchio interno rimovibile montando la linguetta sul lato sinistro nello spazio del coperchio; quindi spingere il coperchio fino a quando la linguetta a destra scatta in posizione. Il lato più ampio della guarnizione deve stare in alto quando viene montato il coperchio.

Utilizzo del cuociriso

Per tutte le 8 funzioni

- Pulire con attenzione la parte esterna del recipiente (in particolare la base). Verificare che non siano presenti residui esterni o liquidi sotto il recipiente e sulla piastra di riscaldamento – **Fig.8**.
- Posizionare il recipiente nell'elettrodomestico – **Fig.9**, verificandone il corretto posizionamento.
- Ruotare lentamente il recipiente in entrambe le direzioni, in modo da garantire un buon contatto tra la base del recipiente e la piastra di riscaldamento.
- Controllare che il raccoglitore della condensa sia posizionato correttamente; in caso contrario, inserirlo spingendo fermamente nella scanalatura – **Fig.10**.
- Chiudere il coperchio.
- Inserire il connettore del cavo di alimentazione nella base dell'elettrodomestico. Controllare che sia posizionato correttamente.
- Collegare l'elettrodomestico. Verrà emesso un lungo avviso acustico, un "beep", le spie dello schermo digitale e degli indicatori lampeggeranno una volta, quindi lo schermo digitale visualizza "--". Indica che il cuociriso è entrato in modalità di standby ed è pronto per la selezione della funzione.
- Non accendere l'elettrodomestico fino a quando sono completate tutte le fasi sopra indicate.
- Non accendere l'elettrodomestico quando il recipiente di cottura è vuoto.
- Non toccare la piastra di riscaldamento se il prodotto è collegato.

Non posizionare mai la mano sulla valvola di micro-pressione durante la cottura per evitare ustioni.

Per modificare il menu di cottura selezionato, premere il pulsante "ANNULLARE" (CANCEL) e scegliere il programma desiderato.

Usare soltanto il recipiente interno fornito con l'elettrodomestico.

Non versare acqua o inserire ingredienti nell'elettrodomestico senza il recipiente all'interno.

PROGRAMMI E FUNZIONI

Programma	Avvio posticipato (Pre-impostato)	Fase di cottura a fuoco lento (+ orario di cottura)	Mantenere al caldo*
Riso bianco	SI	SI - 14 min.	SI
Risotto	SI	SI - 10 min.	SI
Riso integrale	SI	SI - incluso nell'orario di cottura	SI
Cereale	SI	SI - 10 min.	SI
Farina d'avena/Porridge	SI	SI - 10 min.	SI
Cottura lenta	NO	NO	SI
Vapore	SI	NO	SI
Dessert	NO	NO	SI

* La funzione "Mantenere al caldo" ("Keep Warm") resta attiva continuamente per 24 ore, quindi il sistema disattiverà automaticamente la funzione "Mantenere al caldo" ("Keep Warm") e ritorna alla modalità di standby.

Cottura riso

Dosaggio degli ingredienti - Capacità massima del recipiente

- Le indicazioni graduate all'interno del recipiente sono riportate in litri e dosi, utilizzati per misurare la quantità di acqua necessaria per cuocere il riso – **Fig.11**.
- Il bicchiere di plastica fornito con l'elettrodomestico può essere usato per dosare la quantità di riso mediante la tabella che indica la quantità necessaria per il numero di porzioni. 1 dose corrisponde a circa 150 gr. di riso.
- Per ottenere risultati migliori, si consiglia di usare del riso normale anziché quello a cottura rapida che tende ad essere pastoso e potrebbe aderire alla base.
- Per cuocere 1 porzione di riso bianco (2 porzioni piccole o 1 grande), utilizzare 1 dose di riso bianco e aggiungere 1 dose e mezzo di acqua. Con alcuni tipi di riso è normale che piccole quantità aderiscano alla base durante la cottura. Per ottenere risultati ottimali, cuocere 2 o più bicchieri di riso.
- La quantità massima di acqua + riso non deve superare il livello 10 contrassegnato all'interno del recipiente – **Fig.11**.
- I tempi di cottura forniti nelle tabelle sono approssimativi e sono riportati solo a titolo indicativo.
- Posizionare l'elettrodomestico su una superficie piana, stabile e resistente al calore, lontano da spruzzi di acqua e altre fonti di calore.
- Dosare il riso utilizzando il dosatore di plastica fornito e sciacquarlo abbondantemente in acqua fredda prima della cottura.
- Versare il riso nel recipiente. Quindi riempire con acqua fredda fino al livello corrispondente, "DOSATORE" (CUP) indicato nel recipiente (vedere la guida alla cottura di seguito) – **Fig.12**.
- Chiudere il coperchio.

Nota: aggiungere sempre prima il riso per evitare di versare acqua in eccesso.

Il cuoceriso stabilisce autonomamente l'esatta durata della cottura a seconda della quantità di acqua e degli ingredienti presenti nel recipiente (per indicazioni sulla cottura, consultare la tabella seguente).

GUIDA ALLA COTTURA DEL RISO BIANCO – MODELLO DA 10 DOSI

Dosatori di riso bianco	Peso del riso bianco	Livello di acqua nel recipiente (+ il riso)	Porzioni	Tempo di cottura approssimativo*
2	300 g	2 bicchieri	3-4	42 min.
4	600 g	4 bicchieri	5-6	46 min.
6	900 g	6 bicchieri	8-10	50 min.
8	1200 g	8 bicchieri	13-14	55 min.
10	1500 g	10 bicchieri	16-18	60 min.

* Il cuoceriso stabilirà autonomamente la durata della cottura a seconda della quantità di riso e di acqua presenti nel recipiente. La fase cottura viene seguita automaticamente da una fase di mantenimento a fuoco lento.

Cottura con avvio posticipato - Funzione "Impostazione predefinita" (Preset)

- E' possibile ritardare l'inizio della cottura.
- Premere il pulsante "Menu" fino a quando la spia di indicazione della funzione richiesta si accende; quindi premere il pulsante "Impostazione predefinita" (Preset) e lo schermo digitale visualizza l'orario preimpostato minimo per il programma selezionato (l'orario preimpostato lampeggia indicando che non è stata ancora effettuata alcuna impostazione) – **Fig.13**. Premere ◀▶ per impostare l'orario preimpostato richiesto, quindi premere il pulsante "Avvia" (Start) (l'orario preimpostato includerà la durata della cottura, ad esempio terminerà la cottura quando l'orario preimpostato termina) – **Fig.14**. Ad ogni pressione, l'orario pre-impostato aumenterà o diminuirà di un'ora.
- Dopo la cottura, la spia di indicazione della funzione "Mantenere al caldo" (Keep Warm) si accende ed emette vari avvisi acustici (beep), mentre lo schermo digitale visualizza "b", per indicare che è possibile aprire il coperchio e servire il cibo – **Fig.15**.
- L'orario pre-impostato massimo è 15 ore. Dopo avere raggiunto 15 ore, l'impostazione tornerà agli orari pre-impostati minimi.

La cottura con avvio posticipato è disponibile solo per i seguenti programmi: **Riso bianco (White rice)**, **Risotto (Quick rice)**, **Cereali (Grains)**, **Riso integrale (Brown rice)**, **Farina d'avena/Porridge (Oatmeal/Porridge)**, **Vapore (Steaming)**.

Cottura del riso bianco

La fase di cottura a fuoco lento consente di assorbire i liquidi rimasti.

- La funzione di avvio posticipato può essere utilizzata per il programma "Riso bianco" (White Rice), con un intervallo di tempo posticipato compreso tra 2 e 15 ore.
- Premere il pulsante "Menu" mentre l'elettrodomestico è in modalità di standby fino a quando la spia "riso bianco" (white rice) si accende, lo schermo digitale visualizza "--" e la spia di "Avvio" (Start) lampeggia – **Fig.16**. Premere il pulsante "Avvio" (Start), viene attivata la modalità di cottura "Riso bianco" (White rice), la spia "Avvio" (Start) resta accesa e lo schermo digitale visualizza "-" – **Fig.17**.

- Quando il recipiente interno è asciutto, il cicalino emette due avvisi acustici (beep) ed entrerà nella fase di cottura a fuoco lento per 14 minuti. La schermata visualizza il conto alla rovescia da 14 minuti.
- Dopo il conteggio, la spia di indicazione della funzione "Mantenere al caldo" (Keep Warm) si accende e il cuociriso emette vari avvisi acustici (beep), mentre lo schermo digitale visualizza "b". Aprire il coperchio, setacciare il riso con l'apposito cucchiaino per separare i chicchi. Il riso cotto può essere servito immediatamente o mantenuto al caldo per un certo periodo di tempo – **Fig.15**.

Cottura del risotto

- La funzione "Risotto" (Quick rice) è disponibile solo per la cottura di riso bianco. La funzione di avvio posticipato può essere utilizzata per il programma "Risotto" (Quick Rice), con un intervallo di tempo posticipato compreso tra 2 e 15 ore.
- Premere il pulsante "Menu" mentre l'elettrodomestico è in modalità di standby fino a quando la spia "Risotto" (Quick Rice) si accende, lo schermo digitale visualizza "--" e la spia di "Avvio" (Start) lampeggia – **Fig.18**. Premere il pulsante "Avvio" (Start), viene attivata la modalità di cottura "Risotto" (Quick rice), la spia "Avvio" (Start) resta accesa e lo schermo digitale visualizza "-" – **Fig.17**.
- Quando il recipiente interno è asciutto, il cicalino emette numerosi avvisi acustici (beep), lo schermo digitale visualizza "10" per indicare i 10 minuti di conteggio per fase di cottura a fuoco lento automatica.
- Dopo il conteggio, la spia di indicazione della funzione "Mantenere al caldo" (Keep Warm) si accende e il cuociriso emette vari avvisi acustici (beep), mentre lo schermo digitale visualizza "b". Aprire il coperchio, setacciare il riso con un mestolo per evitare che si formino grumi. Il riso cotto può essere servito immediatamente o mantenuto al caldo per un certo periodo di tempo – **Fig.15**.
- Questa funzione è caratterizzata da un tempo di cottura più breve ed è ideale per chi ha molta fretta.
- Dopo l'uso, svuotare e pulire il raccogli-condensa.

Cottura del riso integrale

Per cuocere il riso integrale

- La funzione di avvio posticipato può essere utilizzata per il programma "Riso integrale" (Brown Rice), con un intervallo di tempo posticipato compreso tra 2 e 15 ore.
- Premere il pulsante "Menu" mentre l'elettrodomestico è in modalità di standby fino a quando la spia "Riso integrale" (Brown rice) si accende, lo schermo digitale visualizza "90" e la

spia di "Avvio" (Start) lampeggia – **Fig.19**. Premere il pulsante "Avvio" (Start), viene attivata la modalità di cottura "Riso integrale" (Brown rice), la spia "Avvio" (Start) resta accesa e lo schermo digitale visualizza il conteggio alla rovescia – **Fig.17**.

- È presente una fase di cottura a fuoco lento. La durata della cottura a fuoco lento è già inclusa nella durata di cottura dei 90 minuti.
- Dopo la cottura a fuoco lento, la spia di indicazione della funzione "Mantenere al caldo" (Keep Warm) si accende e il cicalino emette vari avvisi acustici (beep), mentre lo schermo digitale visualizza "b". Il cuociriso entrerà nella fase "Mantenere al caldo" (Keep Warm) – **Fig.15**.

Alcuni suggerimenti per ottenere risultati ottimali durante la cottura del riso

- Dosare il riso e sciacquarlo abbondantemente e a lungo sotto l'acqua corrente in un setaccio (eccetto per il riso per risotto, che non deve essere sciacquato). Quindi, versare il riso nel recipiente con la quantità corrispondente di acqua.
- Verificare che il riso sia distribuito omogeneamente su tutta la superficie del recipiente, per consentire una cottura uniforme.
- Aggiungere del sale quanto basta.
- È possibile sostituire l'acqua con del brodo. Usando del brodo, il riso potrebbe scurirsi leggermente alla base.
- Non aprire il coperchio durante la cottura per evitare la fuoriuscita del vapore e variare i tempi di cottura e il sapore.

Cottura di cereali

Cuocere dei cereali

- La funzione di avvio posticipato può essere utilizzata per il programma "Cereali" (Grains), con un intervallo di tempo posticipato compreso tra 2 e 15 ore.
- Premere il pulsante "Menu" mentre l'elettrodomestico è in modalità di standby fino a quando la spia "Cereali" (Grains) si accende, lo schermo digitale visualizza "--" e la spia di "Avvio" (Start) lampeggia – **Fig.20**. Premere il pulsante "Avvio" (Start), viene attivata la modalità di cottura "Cereali" (Grains), la spia "Avvio" (Start) resta accesa e lo schermo digitale visualizza "-" – **Fig.17**.
- Quando il recipiente interno è asciutto, il cicalino emette due avvisi acustici (beep), lo schermo digitale visualizza "10" per indicare i 10 minuti di conteggio per fase di cottura a fuoco lento automatica.
- Dopo la cottura a fuoco lento, la spia di indicazione della funzione "Mantenere al caldo" (Keep Warm) si accende e il

Questo programma è ideale per cous cous, spezzatino di grano crudo, polenta, quinoa, miglio, ecc.

Per il modello da 10 dosi, non superare le 5 dosi di cereali.

Inserire il doppio di quantità di acqua rispetto a quella dei cereali.

cuociriso emette vari avvisi acustici (beep), mentre lo schermo digitale visualizza "b". Aprire il coperchio, setacciare i cereali con un mestolo per separarli. I cereali cotti possono essere serviti immediatamente o mantenuti al caldo per un certo periodo di tempo – **Fig.15**.

Cottura di farina d'avena/porridge

Per cucinare farina d'avena e porridge

- La funzione pre-impostata può essere utilizzata per il programma "Farina d'avena/Porridge" (Oatmeal/Porridge), con un intervallo di tempo posticipato compreso tra 2 e 15 ore.
- Premere il pulsante "Menu" mentre l'elettrodomestico è in modalità di standby fino a quando la spia programma "Farina d'avena/Porridge" (Oatmeal/Porridge) si accende, lo schermo digitale visualizza "--" e la spia di "Avvio" (Start) lampeggia – **Fig.21**. Premere il pulsante "Avvio" (Start), viene attivata la modalità di cottura "Farina d'avena/Porridge" (Oatmeal/Porridge), la spia "Avvio" (Start) resta accesa e lo schermo digitale visualizza "-" – **Fig.17**.
- Quando l'acqua nel recipiente raggiunge la temperatura di ebollizione, il cicalino emette due avvisi acustici (beep) e lo schermo digitale visualizza "10" per indicare che il cuociriso inizia il conteggio alla rovescia a partire da 10 minuti.
- Al termine del conteggio alla rovescia, la spia di indicazione della funzione "Mantenere al caldo" (Keep Warm) si accende e il cuociriso emette vari avvisi acustici (beep), mentre lo schermo digitale visualizza "b". Il cuociriso entrerà nella fase "Mantenere al caldo" (Keep Warm) – **Fig.15**.

Cottura lenta

Rallentare la cottura

- L'orario di avvio posticipato non è disponibile per la funzione "Cottura lenta" (Slow Cooking).
- Premere il pulsante "Menu" mentre l'elettrodomestico è in modalità di standby fino a quando la spia "Cottura lenta" (Slow Cooking) si accende, lo schermo digitale visualizza "60" e la spia di "Avvio" (Start) lampeggia – **Fig.22**. L'orario può essere regolato, da 60 minuti a 9 ore, a intervalli orari.
- Premere il pulsante "Avvio" (Start), la relativa spia "Avvio" (Start) resta accesa e lo schermo digitale visualizza il conteggio alla rovescia a intervalli orari e, dopo 60 minuti, a intervalli di 1 minuto – **Fig.17**.
- Al termine del conteggio alla rovescia, la spia di indicazione della funzione "Mantenere al caldo" (Keep Warm) si accende e il cuociriso emette vari avvisi acustici (beep), mentre lo schermo digitale visualizza "b". Il cuociriso entrerà nella fase "Mantenere al caldo" (Keep Warm) – **Fig.15**.

Vapori (per verdure, pesce e frutta)

- La quantità massima di acqua nel recipiente non deve superare il livello massimo di DOSE (CUP) contrassegnato nel recipiente – **Fig.11**. In caso contrario, l'acqua potrebbe fuoriuscire durante la cottura.
- Il livello di acqua deve essere inferiore al livello del cestello vapore.
- Sarà sufficiente versare una quantità di acqua corrispondente a 2 dosi per circa 30 minuti di cottura con il programma di cottura a vapore.
- Riporre gli ingredienti nel cestello vapore.
- Posizionare il cestello vapore nel recipiente – **Fig.23**.
- Per il programma "Vapore" (Steam) è disponibile la funzione di avvio posticipato, con un intervallo di tempo posticipato compreso tra 2 e 15 ore.
- Premere il pulsante "Menu" mentre l'elettrodomestico è in modalità di standby fino a quando la spia "Vapore" (Steam) si accende, lo schermo digitale visualizza "1" e la spia di "Avvio" (Start) lampeggia – **Fig.24**. Premere il pulsante "Avvio" (Start) per attivare la modalità di cottura "Vapore" (Steam) se non è necessario l'avvio posticipato, mentre lo schermo digitale visualizza "1" – **Fig.25**.
- Se è stato selezionato l'avvio posticipato, lo schermo digitale visualizza il conteggio alla rovescia dell'orario pre-impostato nella modalità di cottura.
- Dopo la cottura, il cicalino emette vari avvisi acustici (beep), la spia di indicazione della funzione "Mantenere al caldo" (Keep Warm) si accende e lo schermo digitale visualizza "b" per indicare che è stata attivata la modalità "Mantenere al caldo" (Keep Warm) – **Fig.15**. Aprire il coperchio: la pietanza preparata può essere servita immediatamente o mantenuta al caldo per un certo periodo di tempo – **Fig.15**.

Cottura di dessert

Cuocere dei dessert

- L'orario della funzione di avvio posticipato non è disponibile per la funzione "Dessert" (Dessert).
- La funzione "Dessert" (Dessert) è disponibile solo per la cottura di pan di spagna.
- Premere il pulsante "Menu" mentre l'elettrodomestico è in modalità di standby fino a quando la spia "Dessert" (Dessert) si accende, lo schermo digitale visualizza "--" e la spia di "Avvio" (Start) lampeggia – **Fig.26**. Premere il pulsante "Avvio" (Start), viene attivata la modalità di cottura "Dessert" (Dessert), la spia "Avvio" (Start) resta accesa e lo schermo digitale visualizza "-" – **Fig.17**.

- La funzione dessert resta attiva ininterrottamente per 45 minuti, quindi viene attivata la funzione "Mantenere al caldo" (Keep Warm). Dopo la cottura, il cicalino emette vari avvisi acustici (beep), la spia di indicazione della funzione "Mantenere al caldo" (Keep Warm) si accende e lo schermo digitale visualizza "b" per indicare che è stata attivata la modalità "Mantenere al caldo" (Keep Warm) – **Fig.15**.

Funzione automatica "Mantenere al caldo" (Keep Warm)

L'avvio del cuociriso nella modalità di mantenimento del calore deve essere usato solo per pietanze calde.

- L'orario pre-impostato non è disponibile per la funzione "Mantenere al caldo/Annulla" (Keep Warm/Cancel).
- Premere il pulsante "Mantenere al caldo/Annulla" (Keep Warm/Cancel) mentre il cuociriso è in modalità, la spia "Mantenere al caldo/Annulla" (Keep Warm/Cancel) si accende e lo schermo digitale visualizza "b" per indicare che la modalità è stata attivata nel cuociriso – **Fig.15**.
- Premere il pulsante "Mantenere al caldo/Annulla" (Keep Warm/Cancel) mentre un programma è impostato o una funzione è in modalità attiva per annullare e tornare alla modalità di standby.
- Se il cuociriso resta nella modalità "Mantenere al caldo" (Keep Warm) ininterrottamente per 24 ore, il sistema disattiva automaticamente la funzione "Mantenere al caldo" (Keep Warm) e torna alla modalità di standby.
- Non usare la funzione "Mantenere al caldo" (Keep Warm) per riscaldare le pietanze.

Emergenza in caso di interruzione di corrente (funzione di memoria breve)

- Il cuociriso è fornito di una funzione di "memoria breve" (short memory) in caso di interruzione della corrente per 3-10 secondi. Alla riattivazione della corrente elettrica, il cuociriso riprende il funzionamento automaticamente con le impostazioni iniziali e continua la cottura. In caso di interruzione prolungata della corrente, il cuociriso ritorna alla modalità di standby.

Al termine della cottura

Il vapore che fuoriesce è molto caldo.

Non rimuovere mai il recipiente dopo la cottura senza indossare degli

- Aprire il coperchio.
- Servire la pietanza utilizzando il cucchiaino in plastica fornito con l'elettrodomestico e chiudere il coperchio.
- Il cibo restante nel recipiente viene mantenuto caldo per essere servito successivamente.
- Premere il pulsante "ANNULLARE" (CANCEL) dopo avere scelto

Pulizia e manutenzione

Raccogli-condensa

- Dopo l'uso, svuotare e pulire il raccogli-condensa.
- Per rimuovere il raccogli-condensa, premere su ciascun lato del coperchio di plastica e rimuovere – **Fig.27**.
- Per riposizionare il raccoglitore della condensa, spingerlo fermamente in posizione.

Recipiente, raccogli-condensa, valvola di micro-pressione e cestello vapore

- Dopo avere rimosso il coperchio interno, spingere verso l'alto la valvola di micro-pressione attraverso il foro del coperchio usando un dito dalla parte inferiore del coperchio – **Fig.4**, ruotare la valvola nella direzione di sblocco fino a quando il triangolo superiore risulta allineato con il lucchetto aperto e, infine, separare le parti superiore e inferiore della valvola di micro-pressione – **Fig.5**.
- Scollegare l'elettrodomestico prima di rimuovere il recipiente. Usare acqua calda, detergente liquido e una spugna per pulire il recipiente – **Fig.28**, il raccogli-condensa – **Fig.28**, la valvola di micro-pressione – **Fig.29**, il coperchio interno rimovibile – **Fig.30**, il cucchiaino e il dosatore. Si sconsiglia l'uso di polveri abrasive e spugnette in metallo.
- Se alla base del recipiente sono presenti incrostazioni di cibo, lasciare dell'acqua all'interno del recipiente per un po' di tempo prima di lavarlo.
- Il recipiente anti-aderente, il cestello vapore, il raccoglitore della condensa, il cucchiaino e il dosatore sono lavabili in lavatrice.
- Asciugare con cura il recipiente.
- Non immergere l'elettrodomestico in acqua, né versare acqua all'interno della struttura dell'elettrodomestico.

Gestione del recipiente

- Per evitare di danneggiare il rivestimento anti-aderente del recipiente, non tagliarvi il cibo all'interno.
- Utilizzare utensili in plastica o in legno, e non in metallo, per mescolare o servire le pietanze senza danneggiare la superficie del recipiente.
- Per evitare eventuali rischi di corrosione, non versare aceto nel recipiente.
- Il colore della superficie del recipiente potrebbe cambiare

dopo il primo utilizzo o dopo un lungo periodo di utilizzo. Il cambiamento di colore è dovuto all'azione del vapore e dell'acqua e non influisce in alcun modo sull'utilizzo del cuociriso, né è dannoso per la salute. È possibile continuare a utilizzarlo nella massima sicurezza.

- Non utilizzare alcun mixer direttamente nel recipiente anti-aderente per miscelare gli alimenti.

Pulizia e gestione degli altri componenti dell'elettrodomestico

Far raffreddare il prodotto.

- Scollegare l'elettrodomestico prima di pulirlo.
- Pulire la parte esterna del cuociriso di riso, la parte interna del coperchio – **Fig.30** e il cavo con un panno umido e asciugare. Non usare prodotti abrasivi.
- Non usare acqua per pulire la parte interna della struttura dell'elettrodomestico per non danneggiarne il sensore di riscaldamento.

Guida per la risoluzione di problemi tecnici

Descrizione del malfunzionamento	Cause	Soluzione
La schermata LED indica "E0".	Corto circuito o circuito aperto del sensore principale nella parte superiore.	Inviare al Centro di assistenza autorizzato per la riparazione.
La schermata LED indica "E1".	<ul style="list-style-type: none"> • Nessun recipiente. • Corto circuito o circuito aperto del sensore principale nella parte inferiore. 	<ul style="list-style-type: none"> • Posizionare il circuito nell'elettrodomestico. Quindi, collegare l'elettrodomestico. • Se, dopo la sostituzione del recipiente, viene ancora visualizzato E1, inviare l'elettrodomestico al Centro di assistenza autorizzato per la riparazione.
Le spie di indicazione non si accendono e l'elettrodomestico non si riscalda.	Il cuociriso non è collegato all'alimentazione.	Controllare che il cavo di alimentazione sia inserito fermamente nel cuociriso e che il cuociriso sia collegato alla presa della rete elettrica.
La spia di indicazione non si accende e l'elettrodomestico si riscalda.	Si è verificato un problema di collegamento interno della spia oppure la spia è danneggiata.	Inviare al Centro di assistenza autorizzato per la riparazione.
Fuoriuscita di vapore durante l'uso.	I coperchio non è chiuso bene.	Aprire e richiudere il coperchio.
	La valvola di micro-pressione non è posizionata o montata correttamente.	Arrestare la cottura (scollegare il prodotto) e controllare che la valvola sia montata correttamente (2 parti bloccate insieme) e sia posizionata correttamente.
	La guarnizione del coperchio o della valvola di micropressione è danneggiata.	Inviare al Centro di assistenza autorizzato per la riparazione.
Il riso non si è cotto completamente e si è scotto.	L'acqua presente era insufficiente o eccessiva rispetto alla quantità di riso.	Per la quantità di acqua, consultare le istruzioni.
La funzione automatica "Mantenere al caldo" (Keep Warm) non funziona (l'elettrodomestico resta sul programma di cottura o non riscalda su "Mantenere al caldo" (Keep Warm).		Inviare al Centro di assistenza autorizzato per la riparazione.
Fuoriuscita di acqua sul piano di lavoro.	Il raccogli-condensa manca o è pieno.	Svuotare il raccogli-condensa dopo ogni uso e verificarne il corretto posizionamento.

Nota: se il recipiente interno è danneggiato, non usare altri recipienti e richiedere la sostituzione al Centro di assistenza autorizzato.

Descripción

1. Cestillo para cocinar al vapor
2. Marcas del nivel de agua
3. Recipiente antiadherente extraíble
4. Cuchara para el arroz
5. Botón de apertura de la tapa
6. Tapa
7. Tapa interior extraíble
8. Taza medidora
9. Válvula de regulación de micropresión
10. Colector de condensación
11. Asa
12. Soporte para la cuchara
13. Cable de alimentación
14. Placa calefactora
15. Sensor
16. Panel de control
 - a. Botón (verde) "MANTENER CALIENTE/CANCELAR" (KEEP WARM/CANCEL)
 - b. Botón "PROGRAMADO" (PRESET)
 - c. Botón para reducir el tiempo
 - d. Luz indicadora de cocción del arroz blanco
 - e. Luz indicadora de cocción del arroz rápido
 - f. Luz indicadora de cocción del arroz integral
 - g. Luz indicadora de cocción de cereales
 - h. Mostrar hora de finalización de la cocción (solo con programas seleccionados) o indicación de que la función "Mantener caliente" está activada (solo con programas seleccionados)
 - i. Indicador o luz de cocción de avena/gachas.
 - j. Luz indicadora de cocción lenta
 - k. Luz indicadora de cocción al vapor
 - l. Luz indicadora de cocinado de postres
 - m. Botón "INICIAR" (START)
 - n. Botón "MENÚ" (MENU)
 - o. Botón para aumentar el tiempo

ES

Antes de utilizarlo por primera vez

Desempaquetar el aparato

- Extraiga el aparato del paquete y desembale todos los accesorios y la documentación impresa.
- Abra la tapa presionando el botón de apertura localizado en la tapa – **Fig.1**.
- Instale el soporte de la cuchara: inserte el gancho de plástico del soporte en el agujero localizado en la base del producto y deslícelo hacia abajo – **Fig.2**.

Lea las instrucciones y siga el método de operación atentamente.

Limpieza del aparato

- Extraiga el recipiente antiadherente, la tapa interior extraíble y la válvula de regulación de micropresión. Extraiga la tapa interior presionando el clip del lado derecho para soltar la tapa – **Fig.3**.
- Después de extraer la tapa interior, pulse hacia arriba la válvula de regulación de micropresión a través del agujero de la parte inferior de la tapa – **Fig.4**. Para separar la parte superior e inferior de la válvula de regulación de micropresión, rótelas en la dirección de desbloqueo girando el triángulo superior hasta que esté alineado con el símbolo que representa un candado abierto – **Fig.5 y Fig.6**.
- Limpie el recipiente, la tapa interna extraíble, la válvula de regulación de micropresión y todos los accesorios con una esponja y lavavajillas líquido. Pase con un paño húmedo el exterior del aparato y las partes metálicas de la tapa.
- Seque con cuidado.
- El recipiente antiadherente, el cestillo para cocinar al vapor, el colector de condensación, la cuchara y la taza son aptos para lavavajillas.

- Reemplace la válvula de regulación de micropresión. Alinee el triángulo superior con el candado abierto de la válvula de regulación de micropresión para cerrar las dos partes, luego rótelas en la dirección de bloqueo hasta que el triángulo superior esté alineado con el candado cerrado que indica que las dos partes están encajadas, después vuelva a introducir la válvula de regulación de micropresión en la tapa. – **Fig.7** Asegúrese de que el triángulo de la válvula de regulación de micropresión está alineado con el triángulo de la tapa y presione firmemente hasta que encaje en su sitio.
- Reemplace la tapa interior extraíble encajando la pestaña del lado izquierdo en la ranura de la tapa y luego presione la tapa hasta que la pestaña de la derecha encaje en su sitio. El lado más ancho del sello debe estar en la parte superior al encajar la tapa.

Cómo utilizar su olla arrocera

Para las 8 funciones

- Limpie con cuidado la parte exterior del recipiente (especialmente el fondo). Asegúrese de que no hay residuos ni líquido debajo del recipiente y en la placa calefactora – **Fig.8**.
- Introduzca el recipiente en el aparato – **Fig.9**, asegurándose de que está en la posición correcta.
- Gire ligeramente el recipiente en ambas direcciones para asegurar un buen contacto entre el fondo del recipiente y la placa calefactora.
- Compruebe que el colector de condensación está colocado correctamente, si no, presiónelo firmemente para introducirlo en la ranura – **Fig.10**.
- Cierre la tapa.
- Inserte el conector del cable de alimentación en la base del aparato. Compruebe que está firmemente encajado.
- Enchufe el aparato. Sonará un pitido largo, la pantalla digital y las luces del indicador parpadearán y después la pantalla digital mostrará "--". Esto indica que la olla arrocera ha entrado en el modo de espera y está preparada para seleccionar la función.
- No encienda el aparato hasta que todas las fases anteriores se hayan completado.
- No encienda el aparato con el recipiente para cocinar vacío.
- No toque la placa calefactora cuando el producto esté enchufado.

No coloque la mano sobre la válvula de regulación de micropresión, porque corre peligro de quemarse.

Si desea cambiar el menú seleccionado, pulse el botón "CANCELAR" (CANCEL) y elija el programa que desee.

Utilice solo el recipiente interior suministrado con el aparato.

No vierta agua ni meta ingredientes en el aparato si el recipiente no está dentro.

RESUMEN DE PROGRAMAS Y FUNCIONES

Programa	Inicio diferido (Programado)	Fase de hervido (+ tiempo de hervido)	Mantener caliente*
Arroz blanco	SÍ	SÍ - 14 min	SÍ
Arroz rápido	SÍ	SÍ - 10 min	SÍ
Arroz integral	SÍ	SÍ - incluido en el tiempo de cocción	SÍ
Cereales	SÍ	SÍ - 10 min	SÍ
Avena/Gachas	SÍ	SÍ - 10 min	SÍ
Cocción lenta	NO	NO	SÍ
Al vapor	SÍ	NO	SÍ
Postres	NO	NO	SÍ

* La función "Mantener caliente" (Keep Warm) permanece activada durante 24 horas, después el sistema cancela automáticamente la función y vuelve al modo de espera.

Medir los ingredientes - Máxima capacidad del recipiente

ES

- Las medidas del interior del recipiente figuran en litros y tazas, estas se utilizan para medir la cantidad de agua para cocer el arroz – **Fig.11**.
- La taza de plástico que se le ha suministrado con el aparato sirve para medir el arroz y la tabla muestra la cantidad de arroz necesaria conforme al número de raciones. 1 nivel de la taza medidora de arroz pesa alrededor de 150 gr.
- Para conseguir un resultado óptimo, recomendamos utilizar arroz normal en vez del de rápida cocción que suele quedar más pegajoso y puede adherirse a la base.
- Para cocinar 1 taza de arroz blanco, que equivale a 2 raciones pequeñas o a 1 grande, utilice 1 taza medidora de arroz blanco y después añada una taza y media de agua. Algunos tipos de arroz se suelen pegar un poco en el fondo cuando se cocina 1 taza de arroz. Para un resultado óptimo, cocine 2 o más tazas de arroz.
- La máxima cantidad de agua + arroz no debe exceder la marca de 10 tazas del interior del recipiente – **Fig.11**.
- Los tiempos de cocción de las tablas son solo aproximados y se deben usar a modo orientativo.
- Coloque el aparato en una superficie de trabajo plana, estable y resistente al calor lejos de salpicaduras de agua y otras fuentes de calor.
- Mida el arroz utilizando la taza medidora de plástico y enjuáguelo cuidadosamente con agua fría antes de cocinarlo.
- Vierta el arroz en el recipiente. Después llénelo de agua fría hasta la marca de "TAZA" (CUP) correspondiente impresa en el recipiente (Ver guía de cocción a continuación) – **Fig.12**.
- Cierre la tapa.

Nota: Primero añade siempre el arroz, de lo contrario tendrá demasiada agua.

La propia olla arrocera determina el tiempo exacto de cocción dependiendo de la cantidad de agua y de los ingredientes introducidos en el recipiente (ver tabla de cocción a continuación como referencia).

GUÍA DE COCCIÓN DEL ARROZ BLANCO – MODELO DE 10 TAZAS

Tazas medidoras de arroz blanco	Peso del arroz blanco	Nivel de agua en el recipiente (+ el arroz)	Raciones	Tiempo aproximado de cocción*
2	300 g	Marca de 2 tazas	3-4	42 min
4	600 g	Marca de 4 tazas	5-6	46 min
6	900 g	Marca de 6 tazas	8-10	50 min
8	1200 g	Marca de 8 tazas	13-14	55 min
10	1500 g	Marca de 10 tazas	16-18	60 min

* El cocedor de arroz determinará automáticamente el tiempo de cocción en función de la cantidad de arroz y agua colocada en el recipiente. La fase de cocción es automáticamente seguida por una fase latente.

Cocción con inicio diferido - función "Programado"

- Es posible programar el inicio de la cocción.
- Pulse el botón "Menú" (Menu) hasta que se encienda la luz indicadora de la función requerida; después pulse el botón "Programado" (Preset) y la pantalla digital mostrará el tiempo mínimo programado para el programa seleccionado (el tiempo programado parpadea indicando que aún no está seleccionado) – **Fig.13**. Pulse ◀▶ para seleccionar el tiempo programado y pulse el botón "Iniciar" (Start). El tiempo programado incluirá el de cocción, es decir, terminará la cocción cuando se acabe el tiempo programado) – **Fig.14**. Cada vez que pulse se aumentará o reducirá el tiempo programado de una hora.
- Después de la cocción, la luz indicadora de "Mantener caliente" (Keep warm) se encenderá, sonarán varios pitidos y la pantalla digital mostrará una "b", indicando que es el momento de abrir la tapa y servir la comida – **Fig.15**.
- El tiempo máximo programado es de 15 horas. Pasadas 15 horas, volverá a las horas mínimas programadas por defecto.

Solo se puede cocinar con inicio diferido en los siguientes programas: Arroz blanco, arroz rápido, cereales, arroz integral, avena/gachas, al vapor.

Cocer arroz blanco

La fase de hervido sirve para absorber la humedad restante.

- La función de inicio diferido puede utilizarse para el programa "Arroz blanco" ("White Rice"), con un retraso de entre 2 a 15 horas.
- Pulse el botón "Menú" (Menu) en el modo de espera hasta que se encienda la luz indicadora de "Arroz blanco" (White rice), la pantalla digital mostrará "--" y la luz indicadora de "Iniciar" (Start) parpadeará – **Fig.16**. Al pulsar el botón "Iniciar" (Start), la olla entrará en el modo "Arroz blanco" (White rice), la luz indicadora de "Iniciar" (Start) permanecerá encendida y la pantalla digital mostrará "-" – **Fig.17**.
- Cuando el recipiente interior esté seco, sonarán dos pitidos y comenzará la fase de hervido que durará 14 minutos. La pantalla muestra una cuenta atrás de 14 minutos.
- Después de la cuenta atrás, la luz indicadora de "Mantener caliente" (Keep Warm) se encenderá, sonarán varios pitidos y la pantalla digital mostrará una "b". Abra la tapa; remueva el arroz con la cuchara del arroz para separar los granos. El arroz cocido puede servirse inmediatamente o mantenerse caliente durante el tiempo necesario – **Fig.15**.

Cocer arroz rápido

- La función "Arroz rápido" (Quick rice) solo sirve para cocer arroz blanco.
- La función de inicio diferido puede utilizarse para el programa "Arroz rápido" (Quick Rice), con un retraso de entre 2 a 15 horas.
- Pulse el botón "Menú" (Menu) en el modo de espera hasta que se encienda la luz indicadora de "Arroz rápido" ("Quick rice"), la pantalla digital mostrará "--" y la luz indicadora de "Iniciar" (Start) parpadeará

– **Fig.18.** Al pulsar el botón "Iniciar" (Start), la olla entrará en el modo "Arroz rápido" (Quick rice), la luz indicadora de "Iniciar" (Start) permanecerá encendida y la pantalla digital mostrará "-" – **Fig.17.**

- Cuando el recipiente interior esté seco, sonarán varios pitidos, la pantalla digital mostrará un "10", indicando la cuenta atrás de 10 minutos para el hervido automático.
- Después de la cuenta atrás, la luz indicadora de "Mantener caliente" (Keep Warm) se encenderá, sonarán varios pitidos y la pantalla digital mostrará una "b". Abra la tapa; remueva el arroz con una paleta para evitar que se apelmace. El arroz cocido puede servirse inmediatamente o mantenerse caliente durante el tiempo necesario – **Fig.15.**
- En esta función el tiempo de cocción es más corto y se recomienda a usuarios con prisa.
- Después de cada uso, vacíe y limpie el colector de condensación.

Cocer arroz integral

Cómo cocer arroz integral

- La función de inicio diferido puede utilizarse para el programa "Arroz integral" (Brown Rice), con un retraso de entre 2 a 15 horas.
- Pulse el botón "Menú" (Menu) en el modo de espera hasta que se encienda la luz indicadora de "Arroz integral" (Brown rice), la pantalla digital mostrará un "90" y la luz indicadora de "Iniciar" ("Start") parpadeará – **Fig.19.** Al pulsar el botón "Iniciar" (Start), la olla entrará en el modo "Arroz integral" (Brown rice), la luz indicadora de "Iniciar" (Start) permanecerá encendida y la pantalla digital mostrará el tiempo de la cuenta atrás – **Fig.17.**
- Hay una fase de hervido. El tiempo de hervido ya está incluido en los 90 minutos del tiempo de cocción.
- Después del hervido, la luz indicadora de "Mantener caliente" (Keep Warm) se encenderá, sonarán varios pitidos y la pantalla digital mostrará una "b". La olla entrará en la fase "Mantener caliente" (Keep Warm) – **Fig.15.**

Recomendaciones para un resultado óptimo al cocer el arroz

- Mida el arroz y en un colador enjuáguelo bajo el chorro de agua durante un buen rato (excepto el arroz de risotto que no debe enjuagarse). Después coloque el arroz en el recipiente con la correspondiente cantidad de agua.
- Asegúrese de que el arroz esté bien distribuido por toda la superficie del recipiente para que se cocine todo por igual.
- Añada sal a su gusto si es necesario.
- El agua puede sustituirse por caldo. Si utiliza caldo, el arroz puede dorarse un poco en la parte inferior.
- No abra la tapa durante la cocción porque el vapor escapará e influirá en el tiempo de cocción y en el gusto.

Cocer cereales

Cómo cocer cereales

- La función de inicio diferido puede utilizarse para el programa "Cereales" (Grains), con un retraso de entre 2 a 15 horas.
- Pulse el botón "Menú" (Menu) en el modo de espera hasta que se encienda la luz indicadora de "Cereales" (Grains), la pantalla digital mostrará "--" y la luz indicadora de "Iniciar" ("Start") parpadeará – **Fig.20**. Al pulsar el botón "Iniciar" (Start), la olla entrará en el modo "Cereales" ("Grains"), la luz indicadora de "Iniciar" (Start) permanecerá encendida y la pantalla digital mostrará "-" – **Fig.17**.
- Cuando el recipiente interior esté seco, sonarán varios pitidos, la pantalla digital mostrará un "10", indicando la cuenta atrás de 10 minutos para el hervido automático.
- Después del hervido, la luz indicadora de "Mantener caliente" (Keep Warm) se iluminará, sonarán varios pitidos y la pantalla digital mostrará una "b". Abra la tapa; remueva el arroz con una paleta para separar los granos. El cereal cocido puede servirse inmediatamente o mantenerse caliente durante el tiempo necesario – **Fig.15**.

Este programa es adecuado para cous-cous, trigo de bulgur, polenta, quinoa, mijo...
Para el modelo de 10 tazas, no exceda de 5 tazas de cereal
Ponga el doble de cantidad de agua que de cereal.

Cocinar avena/gachas

Cómo cocer avena/gachas

- La función de tiempo programado puede utilizarse para el programa "Avena/Gachas" ("Oatmeal/Porridge"), con un retraso de entre 2 a 15 horas.
- Pulse el botón "Menú" (Menu) en el modo de espera hasta que se encienda la luz indicadora de "Avena/Gachas" (Oatmeal/Porridge), la pantalla digital mostrará "--" y la luz indicadora de "Iniciar" (Start) parpadeará – **Fig.21**. Al pulsar el botón "Iniciar" (Start), la olla entrará en el modo "Avena/Gachas" (Oatmeal/Porridge), la luz indicadora de "Iniciar" (Start) permanecerá encendida y la pantalla digital mostrará "-" – **Fig.17**.
- Cuando el agua del interior del recipiente alcance la temperatura de ebullición, sonarán dos pitidos y la pantalla digital mostrará un "10", indicando que la olla inicia la cuenta atrás de 10 minutos.
- Después del hervido, la luz indicadora de "Mantener caliente" (Keep Warm) se encenderá, sonarán varios pitidos y la pantalla digital mostrará una "b". La olla entrará en el estado "Mantener caliente" (Keep Warm) – **Fig.15**.

Cocción lenta

Cómo cocer lentamente

- La función de inicio diferido no está disponible para "Cocción lenta".
- Pulse el botón "Menú" (Menu) en el modo de espera hasta que se encienda la luz indicadora de "Cocción lenta" (Slow Cooking), la pantalla digital mostrará un "60" y la luz indicadora de "Iniciar" ("Start") parpadeará – **Fig.22**. El tiempo puede ajustarse de 60 minutos a 9 horas de hora en hora.
- Pulse el botón "Inicio" (Start), la luz indicadora de "Inicio" (Start) permanecerá encendida y la pantalla digital mostrará la cuenta atrás en intervalos de hora y cuando falten 60 minutos, en intervalos de minuto – **Fig.17**.
- Después del hervido, la luz indicadora de "Mantener caliente" (Keep Warm) se encenderá, sonarán varios pitidos y la pantalla digital mostrará una "b". La olla entrará en el modo "Mantener caliente" (Keep Warm) – **Fig.15**.

ES

Al vapor (para verduras, pescado y frutas)

- La cantidad máxima de agua en el recipiente no debe exceder la marca superior de TAZA (CUP) del recipiente – **Fig.11**.
Si se sobrepasa este nivel podría desbordarse durante el uso.
- El agua no debe llegar al nivel del cestillo para cocinar al vapor.
- Llenar con agua hasta la marca de 2 tazas es suficiente para unos 30 minutos del programa de cocción al vapor.
- Añada los ingredientes en el cestillo para cocinar al vapor.
- Coloque el cestillo para cocinar al vapor en el recipiente – **Fig.23**.
- La función de inicio diferido puede utilizarse para el programa "Al vapor" (Steam), con un retraso de entre 2 a 15 horas.
- Pulse el botón "Menú" (Menu) en el modo de espera hasta que se encienda la luz indicadora de "Al vapor" (Steam), la pantalla digital mostrará un "1" y la luz indicadora de "Iniciar" ("Start") parpadeará – **Fig.24**.
Pulse el botón "Iniciar" (Start) para entrar en el modo de cocción si no hay necesidad para un inicio diferido, la pantalla digital mostrará un "1" – **Fig.25**.
- Si se ha seleccionado un inicio diferido, la pantalla digital mostrará la cuenta atrás del tiempo programado en el modo de cocción.
- Después de cocer, sonarán varios pitidos, la luz indicadora de "Mantener caliente" (Keep Warm) se encenderá y la pantalla digital mostrará una "b", indicando que la olla arrocera entra en el modo "Mantener caliente" (Keep Warm) – **Fig.15**. Abra la tapa; la preparación cocinada puede servirse inmediatamente o mantenerse caliente durante un corto tiempo – **Fig.15**.

Cocinar postres

Cómo cocinar postres

- La función de inicio diferido no está disponible para "Cocinar postres" ("Dessert").
- La función de postres es adecuada para cocinar bizcochos.
- Pulse el botón "Menú" (Menu) en el modo de espera hasta que se encienda la luz indicadora de "Postres" (Postres), la pantalla digital mostrará "--" y la luz indicadora

Al pulsar el botón "Iniciar" (Start), la olla entrará en el modo "Cocinar postres" (Dessert Cooking), la luz indicadora de "Iniciar" (Start) permanecerá encendida y la pantalla digital mostrará "-" – Fig.17.

- La función de postres permanecerá activada 45 minutos, después se activará la función "Mantener caliente" (Keep Warm).
- Después de la cocción, sonarán varios pitidos, la luz indicadora de "Mantener caliente" (Keep Warm) se encenderá y la pantalla digital mostrará una "b", indicando que la olla arrocera entra en el modo "Mantener caliente" (Keep Warm) – Fig.15.

Mantener caliente automáticamente

Solo debe arrancar su arrocera en el modo de mantener caliente con comida caliente.

- El tiempo programado no está disponible para la función "Mantener caliente/Cancelar" (Keep Warm/Cancel).
- Pulse el botón "Mantener caliente/Cancelar" (Keep Warm/Cancel) en el modo de espera, la luz indicadora de "Mantener caliente/Cancelar" (Keep Warm/Cancel) se encenderá y la pantalla digital mostrará una "b", indicando que la olla entra en el modo de mantener caliente – Fig.15.
- Pulse el botón "Mantener caliente/Cancelar" (Keep Warm/Cancel) cuando se haya seleccionado un programa o se esté ejecutando una función para proceder a la cancelación y volver al modo de espera.
- Si la olla continúa en "Mantener caliente" (Keep Warm) 24 horas, el sistema cancelará automáticamente dicha función y volverá al modo de espera.
- La función "Mantener caliente" (Keep Warm) no debe utilizarse para recalentar la comida.

Seguridad en caso de fallos en la alimentación (función de memoria corta)

- La olla tiene una función de "memoria corta" para casos de interrupción de la corriente eléctrica de 3 a 10 segundos. Cuando se restablece la corriente, la olla vuelve automáticamente a su configuración original y continúa cocinando. Si la electricidad se interrumpe durante más tiempo, la olla volverá al modo de espera.

Al terminar de cocinar

El vapor que escapa está muy caliente.

No extraiga el recipiente después de cocinar sin guantes protectores para horno.

- Abra la tapa.
- Sirva la comida utilizando la cuchara de plástico suministrada con el aparato y cierre la tapa.
- La comida que quede en el recipiente se mantendrá caliente para posteriores servicios.
- No olvide pulsar el botón "CANCELAR" (CANCEL) después de mantener caliente y desenchufe el aparato.

Limpieza y mantenimiento

Colector de condensación

- El colector de condensación debe vaciarse y limpiarse después de cada uso.

- Para extraer el colector, presione a los lados de la cubierta de plástico y sáquelo – **Fig.27**.
- Para volver a colocar el colector, encájelo presionando con firmeza.

Recipiente, colector de condensación, válvula reguladora de micropresión y cestillo para cocinar al vapor

ES

- Después de extraer la tapa interior, empuje hacia arriba la válvula de regulación de micropresión a través del agujero de la tapa – **Fig.4**, gire la válvula de regulación de micropresión en la dirección de bloqueo hasta alinear el triángulo superior con el candado abierto, y finalmente separe la parte superior y la inferior de la válvula de regulación de micropresión – **Fig.5**.
- Desenchufe el aparato antes de extraer el recipiente. Use agua caliente, lavavajillas líquido y una esponja para limpiar el recipiente – **Fig.28**, el colector de condensación – **Fig.28**, la válvula de regulación de micropresión – **Fig.29**, la tapa extraíble – **Fig.30**, la cuchara y la taza. No se recomiendan los polvos para fregar ni las esponjas de metal.
- Si la comida se ha pegado en el fondo, deje el recipiente a remojo durante un tiempo antes de fregarlo.
- El recipiente antiadherente, el cestillo para cocinar al vapor, el colector de condensación, la cuchara y la taza son aptos para lavavajillas.
- Seque el recipiente cuidadosamente.
- No sumerja el aparato en agua, ni vierta agua en el interior del cuerpo del aparato.

Los cuidados del recipiente

- Para evitar dañar la capa antiadherente del recipiente, no corte comida en su interior.
- Para remover o servir la comida, utilice utensilios de plástico o de madera, pero nunca de metal para evitar dañar la superficie del recipiente.
- Para evitar la corrosión, no vierta vinagre en el recipiente.
- El color de la superficie del recipiente puede cambiar después de ser utilizado por primera vez o tras un largo periodo de uso. Este cambio de color se debe a la acción del vapor y el agua, y no afecta al uso de la olla arrocera, ni es peligroso para su salud. Es completamente seguro continuar utilizándola.
- No utilice directamente una batidora en el recipiente antiadherente para triturar alimentos.

Limpiar y cuidar otras partes del aparato

Deje enfriar el producto.

- Desenchufe el aparato antes de limpiar.
- Limpie el exterior de la olla arrocera, el interior de la tapa – **Fig.30** y el cable con un paño húmedo y séquela. No utilice productos abrasivos.
- No utilice agua para limpiar el interior del cuerpo del aparato porque podría dañar el sensor de calor.

Guía de resolución de problemas técnicos

Descripción del fallo	Causas	Solución
La pantalla LED indica "E0".	Circuito abierto o cortocircuito del sensor principal superior.	Envíelo a un centro de servicio autorizado para su reparación.
La pantalla LED indica "E1".	<ul style="list-style-type: none"> • No hay recipiente. • Circuito abierto o cortocircuito del sensor principal inferior. 	<ul style="list-style-type: none"> • Coloque el recipiente en el aparato. Después enchufe el aparato. • Si después de reemplazar el recipiente sigue apareciendo E1 envíelo a un centro de servicio autorizado para su reparación.
Las luces del indicador no están iluminadas y el aparato no calienta.	La olla arrocera no está enchufada.	Compruebe que el cable de alimentación está firmemente conectado a la olla arrocera y el aparato está enchufado a la corriente eléctrica.
La luz indicadora no se enciende y el aparato se calienta.	Problema en la conexión interna de la luz indicadora o la luz indicadora está dañada.	Envíelo a un centro de servicio autorizado para su reparación.
Fuga de vapor durante el uso.	La tapa está mal cerrada.	Abra la tapa y vuélvala a cerrar.
	La válvula de regulación de micropresión no está bien colocada o está montada de forma incorrecta.	Detenga la cocción (desenchufe el producto) y compruebe que la válvula está montada de forma correcta (2 partes encajadas) y en la posición adecuada.
	La tapa o la junta de la válvula de regulación de micropresión está dañada.	Envíelo a un centro de servicio autorizado para su reparación.
El arroz no se ha cocinado por completo o está demasiado hecho.	No hay suficiente agua o hay demasiada en comparación con la cantidad de arroz.	Consulte las instrucciones para saber la cantidad de agua necesaria.
La función automática "Mantener caliente" (Keep Warm) falla (el aparato continúa en el programa de cocción o no calienta en la función "Mantener caliente" (Keep Warm)).		Envíelo a un centro de servicio autorizado para su reparación.
Fuga de agua en la superficie de trabajo.	Falta el colector de condensación o el colector de condensación se ha desbordado.	Vacíe el colector de condensación después de cada uso y compruebe que está colocado correctamente.

Comentario: Si el recipiente interno está dañado, no lo siga utilizando y consiga un repuesto en un centro de servicio autorizado para su reparación.

Beschrijving

1. Stoommand
2. Waterniveauaanduiding
3. Verwijderbare anti-aanbakkom
4. Rijstlepel
5. Knop om het deksel te openen
6. Deksel
7. Verwijderbaar binnendeksel
8. Cup (Maatbeker)
9. Stoomklep
10. Condensaatopvangbak
11. Bedieningsknop
12. Lepelhouder
13. Stroomkabel
14. Verwarmingsplaat
15. Sensor
16. Bedieningspaneel
 - a. "HOUD WARM/CANCEL"-knop (groen)
 - b. "PRESET"-knop
 - c. Knop om de ingestelde tijd te verlagen
 - d. Controlelampje koken witte rijst
 - e. Controlelampje koken snelkookrijst
 - f. Controlelampje koken volle rijst
 - g. Controlelampje koken rijstkorrels
 - h. Display met einde kooktijd (enkel met geselecteerde programma's) of met aanduiding dat de Warmhoudfunctie actief is (enkel met geselecteerde programma's)
 - i. Controlelampje Havermout/Pap bereiden
 - j. Controlelampje langzaam koken
 - k. Controlelampje stoomkoken
 - l. Controlelampje dessert bereiden
 - m. "START"-knop
 - n. "MENU"-knop
 - o. Knop om de ingestelde tijd te verhogen

NL

Vóór het eerste gebruik

Haal het toestel uit de verpakking

- Haal het toestel, alle hulpstukken en de documenten uit hun verpakking.
- Open het deksel door op de openingsknop bovenop het deksel te drukken – **Fig.1**.
- Plaats de lepelhouder: Steek de plastic haak van de houder in het gaatje in de basis van het product, en schuif de haak naar beneden – **Fig.2**.

Lees de gebruiksaanwijzing en volg de instructies in de handleiding.

Maak het toestel schoon

- Verwijder de anti-aanbakkom, het verwijderbaar binnendeksel en de stoomklep. Om het binnendeksel te verwijderen, drukt u op de rechterkant van de losmaakknop en maakt u het deksel los – **Fig.3**.
- Wanneer u het binnendeksel verwijderd hebt, duwt u de stoomklep met uw vinger door het gaatje aan de onderkant van het deksel – **Fig.4**. Om de bovenste en de onderste delen van de stoomklep van elkaar te scheiden, draait u de klep in de ontgrendelingsrichting tot de bovenste driehoek op één lijn staat met het open hangslot en scheidt u de twee delen – **Fig.5** en **Fig.6**.
- Maak de kom, het verwijderbare binnendeksel, de stoomklep en alle hulpstukken met een spons en zeepsop schoon. Wrijf de buitenkant van het toestel en de metalen delen van het deksel met een vochtige doek af.
- Droog voorzichtig.
- De anti-aanbakkom, de stoommand, de condensaatopvangbak, de lepel en de cup mogen in de vaatwasser.

- Plaats de stoomklep opnieuw. Zet de bovenste driehoek op één lijn met het open hangslot op de stoomklep om beide delen te sluiten, draai de klep in de vergrendelingsrichting tot de bovenste driehoek op één lijn staat met het gesloten hangslot, dit geeft aan dat beide delen vergrendeld werden, en plaats de stoomklep opnieuw in het deksel – **Fig.7**. Controleer of de driehoek op de stoomklep op één lijn staat met de driehoek op het deksel en duw stevig naar beneden tot alles op zijn plaats past.
- Plaats het verwijderbaar binnendeksel opnieuw door de tab aan de linkerkant in de groef op het deksel te plaatsen, duw op het deksel tot de tab aan de rechterkant op zijn plaats klikt. De breedste kant van de las moet zich aan de bovenkant bevinden wanneer u het deksel plaatst.

Ingebruikname rijstkoker

Voor alle 8 functies

- Wrijf de buitenkant van de kom voorzichtig af (vooral de onderkant). Zorg ervoor dat er geen vreemde resten of vloeistoffen onder de kom of op de verwarmingsplaat liggen – **Fig.8**.
- Plaats de kom in het toestel – **Fig.9**, zorg ervoor dat de kom goed geplaatst werd.
- Draai de kom voorzichtig in beide richtingen zodat de kom goed met de verwarmingsplaat in contact komt.
- Controleer of de condensaatopvangbak correct geplaatst werd. Zo niet, plaats de opvangbak opnieuw door deze stevig in de groef te duwen – **Fig.10**.
- Sluit het deksel.
- Steek de stekker van de stroomkabel in de basis van het toestel. Controleer of de stekker goed vast zit.
- Sluit het toestel aan. U zult een lange "Biep"-toon horen, het digitale scherm en de controlelampjes zullen aanflitsen en op het digitale scherm zal "--" verschijnen. Dit betekent dat de rijstkoker op standby staat en dat u een functie kunt selecteren.
- Doorloop alle hierboven beschreven stappen alvorens het toestel aan te zetten.
- Zet het toestel nooit aan met een lege kookkom.
- Raak de verwarmingsplaat niet aan wanneer het toestel aan staat.

Plaats uw hand, tijdens het koken, nooit op de stoomklep. Gevaar voor brandwonden.

Als u het geselecteerde kookprogramma wilt veranderen, druk dan op de "CANCEL"-knop en kies het gewenste programma.

Gebruik enkel de binnenkom die bij dit toestel geleverd wordt. Giet geen water of ingrediënten in het toestel zonder eerst de kom te plaatsen.

OVERZICHT VAN PROGRAMMA'S EN FUNCTIES

Programma	Uitgestelde start (Preset)	Sudderfase (+ suddertijd)	Houd Warm*
Witte rijst	JA	JA - 14 min	JA
Snelkookrijst	JA	JA - 10 min	JA
Volle rijst	JA	JA - is in de kooktijd inbegrepen	JA
Rijstkorrels	JA	JA - 10 min	JA
Havermost/Pap	JA	JA - 10 min	JA
Langzaam koken	NEE	NEE	JA
Stomen	JA	NEE	JA
Dessert	NEE	NEE	JA

* De warmhoudfunctie blijft gedurende 24 uur actief, daarna schakelt het systeem de warmhoudfunctie automatisch uit en keert het terug naar standby.

De ingrediënten meten - Maximumcapaciteit van de kom

- Met de gegradueerde cup- en literaanduidingen aan de binnenkant van de kom kunt u de hoeveelheid water voor het koken van rijst perfect afmeten – **Fig.11**.
- U kunt de cup die bij dit toestel geleverd wordt, gebruiken om de rijst af te meten. In de tabel kunt u lezen hoeveel rijst er per persoon nodig is. 1 cup rijst komt overeen met ongeveer 150 gram.
- Om het beste resultaat te verkrijgen, raden we u aan om gewone rijst, geen snelkookrijst, te gebruiken. Deze laatste is kleveriger en kan aan de kom vastkleven.
- Om 1 cup witte rijst te koken (goed voor 2 kleine of 1 grote portie), gebruikt u 1 cup witte rijst en voegt u anderhalve cup water toe. Bij sommige rijstsoorten is het normaal dat er een beetje rijst aan de bodem blijft kleven wanneer u slechts 1 cup rijst kookt. Kook 2 of meer bekertjes rijst om een topresultaat te verkrijgen.
- De maximumhoeveelheid water + rijst mag, afhankelijk van de capaciteit van uw model, de 10 cup aanduiding binnenin de kom niet overschrijden – **Fig.11**.
- De kooktijd in de tabellen geldt slechts bij benadering en als leidraad.
- Plaats het apparaat op een vlak, stabiel en hittebestendig werkblad en houd het toestel uit de buurt van water en andere hittebronnen.
- Meet de hoeveelheid rijst met de plastic cup af en spoel de rijst voor het koken met koud water.
- Giet de rijst in de kom. Vul de kom met koud water tot aan de "CUP"-aanduiding op de kom (Zie kookboek hieronder) – **Fig.12**.
- Sluit het deksel.

De rijstkoker bepaalt automatisch de exacte kooktijd afhankelijk van de hoeveelheid water en de ingrediënten die in de kom werden gelegd (zie kooktabel voor een overzicht van de kooktijden).

Opmerking: Giet altijd eerst de rijst in de kom, anders krijgt u te veel water.

KOOKBOEK VOOR WITTE RIJST - 10 CUPS MODEL

Cups met witte rijst	Gewicht met witte rijst	Waterniveau in de kom (+ de rijst)	Dien op	Approximatieve kooktijd
2	300 g	2 cups aanduiding	3-4	42 min
4	600 g	4 cups aanduiding	5-6	46 min
6	900 g	6 cups aanduiding	8-10	50 min
8	1200 g	8 cups aanduiding	13-14	55 min
10	1500 g	10 cups aanduiding	16-18	60 min

* De rijstkoker bepaalt automatisch de bereidingstijd, afhankelijk van de hoeveelheid rijst en water geplaatst in de kom. De bereidingsfase wordt automatisch gevolgd door een sudderende fase.

Koken met uitgestelde start - "Preset"-functie

- Het is mogelijk de kookstarttijd uit te stellen.
- Druk op de "Menu"-knop tot het controlelampje van de gewenste functie oplicht; druk daarna op de "Preset"-knop, op het digitale scherm zal de vooraf ingestelde minimumtijd voor het geselecteerde programma verschijnen (de vooraf ingestelde tijd knippert aan en uit, dit geeft aan dat de tijd nog niet geselecteerd werd) – **Fig.13**. Druk op   om de gewenste tijd te selecteren en druk dan op de "Start"-knop (de ingestelde tijd gaat in en het kookproces eindigt wanneer de ingestelde tijd om is) – **Fig.14**. Elke druk op de knop verhoogt of verlaagt de ingestelde tijd met één uur.
- Na het koken zal het "Houd Warm"-controlelampje oplichten, zullen er verschillende biepgeluiden klinken en zal er een "b" op het scherm verschijnen. Deze signalen geven aan dat het tijd is om het deksel te openen en het voedsel op te dienen – **Fig.15**.
- De maximale ingestelde tijd bedraagt 15 uur. Na 15 uur, zal het toestel opnieuw overschakelen op het minimum aantal ingestelde uren.

Koken met uitgestelde start wordt enkel gebruikt voor de volgende programma's: Witte rijst, Snelkook-rijst, Rijstkorrels, Volle rijst, Havermout/Pap, Stomen.

Witte rijst koken

Tijdens de sudderfase wordt het overbodige vocht weggekookt.

- De uitgestelde start functie kan gebruikt worden voor het "Witte Rijst"- programma. De bereiding kan 2 tot 15 uur op voorhand geprogrammeerd worden.
- Druk op de "Menu"-knop wanneer het toestel op standby staat tot het "witte rijst"- controlelampje oplicht. Op het digitale scherm zal "--" verschijnen en het "start"-controlelampje zal aan- en uitknipperen – **Fig.16**. Druk op de "Start"-knop en de "Witte rijst"-functie zal geactiveerd worden. Het "Start"-controlelampje zal oplichten en op het digitale scherm zal "--" verschijnen – **Fig.17**.
- Wanneer de binnenkom droog is, zal de zoemer twee maal rinkelen en wordt de 14 minuten durende sudderfase aangevat. Op het scherm kunt u het verstrijken van de 14 minuten volgen.
- Wanneer de tijd om is, zal het "Houd Warm"-controlelampje oplichten, de koker zal verschillende malen biepen en op het digitale scherm zal "b" verschijnen. Open het deksel; roer de rijst met een rijstlepel om. De gekookte rijst kan onmiddellijk opgediend worden of een tijdje warm gehouden worden – **Fig.15**.

Snelkookrijst koken

- De "Snelkookrijst"-functie kan enkel gebruikt worden voor het koken van witte rijst. De uitgestelde start functie kan gebruikt worden voor het "Snelkookrijst"- programma. De bereiding kan 2 tot 15 uur op voorhand geprogrammeerd worden.
- Druk op de "Menu"-knop wanneer het toestel op standby staat tot het "Snel kookrijst"-controlelampje oplicht. Op het

digitale scherm zal "--" verschijnen en het "start"-controlelampje zal aan- en uitknipperen – **Fig.18**. Druk op de "Start"-knop en de "Snelkookrijst"-functie zal geactiveerd worden. Het "Start"-controlelampje zal oplichten en op het digitale scherm zal "--" verschijnen – **Fig.17**.

- Wanneer de binnenkom droog is, zal de zoemer verschillende malen rinkelen en wordt de 10 minuten durende sudderfase aangevat. Op het scherm kunt u het verstrijken van de 10 minuten volgen.
- Wanneer de tijd om is, zal het "Houd Warm"-controlelampje oplichten, de koker zal verschillende malen biepen en op het digitale scherm zal "b" verschijnen. Open het deksel; roer de rijst met een lepel los om aanbakken te voorkomen. De gekookte rijst kan onmiddellijk opgediend worden of een tijdje warm gehouden worden – **Fig.15**.
- Deze functie werkt met een kortere kooktijd en is dus handig voor gebruikers met haast.
- Leeg en reinig de condensaatopvangbak na elk gebruik.

Volle rijst koken

Om volle rijst te koken

- De uitgestelde start functie kan gebruikt worden voor het "Volle Rijst"- programma. De bereiding kan 2 tot 15 uur op voorhand geprogrammeerd worden.
- Druk op de "Menu"-knop wanneer het toestel op standby staat tot het "Volle rijst"-controlelampje oplicht. Op het digitale scherm zal "90" verschijnen en het "Start"-controlelampje zal aan- en uitknipperen – **Fig.19**. Druk op de "Start"-knop en de "Volle rijst"-functie zal geactiveerd worden. Het "Start"-controlelampje zal oplichten en op het digitale scherm zal het tijdsverloop aangegeven worden – **Fig.17**.
- Er is een sudderfase. De sudderfase is altijd in de 90 minuten durende kooktijd inbegrepen.
- Na het sudderen zal het "Houd Warm"-controlelampje oplichten, de zoemer zal verschillende malen biepen en op het digitale scherm zal "b" verschijnen. De koker zal aan de "Houd Warm"-fase beginnen – **Fig.15**.

Enkele tips om de lekkerste rijst te koken

- Meet de hoeveelheid rijst af en spoel de rijst zorgvuldig en langdurig in een zeef onder stromend water (uitgezonderd risotto rijst die niet gespoeld moet worden). Plaats de rijst met de overeenkomstige hoeveelheid water in de kom.
- Zorg ervoor dat de rijst goed over het oppervlak van de kom verdeeld is, om een egale opwarming te garanderen.
- Voeg naar eigen smaak zout toe.
- In de plaats van water kunt u bouillon gebruiken. Als u bouillon gebruikt, kan de onderkant van de rijst wat bruin worden.
- Open het deksel nooit tijdens het koken, de warme stoom kan ontsnappen en dit zal invloed hebben op de kooktijd en de smaak.

Graankorrels koken

Om graankorrels te koken

- De uitgestelde start functie kan gebruikt worden voor het "Graankorrels"- programma. De bereiding kan 2 tot 15 uur op voorhand geprogrammeerd worden.
- Druk op de "Menu"-knop wanneer het toestel op standby staat tot het "Graan- korrels"-controlelampje oplicht. Op het digitale scherm zal "--" verschijnen en het "Start"-controlelampje zal aan- en uitknipperen – **Fig.20**. Druk op de "Start"-knop en de "Graankorrels"-functie zal geactiveerd worden. Het "Start"-controlelampje zal oplichten en op het digitale scherm zal "--" verschijnen – **Fig.17**.
- Wanneer de binnenkom droog is, zal de zoemer tweemaal rinkelen en wordt de 10 minuten durende sudderfase aangevat. Op het scherm kunt u het verstrijken van de 10 minuten volgen.
- Na het sudderen zal het "Houd Warm"-controlelampje oplichten, de koker zal verschillende malen biepen en op het digitale scherm zal "b" verschijnen. Open het deksel; roer de rijst met een lepel los. De gekookte rijst kan onmiddellijk opgediend worden of een tijdje warm gehouden worden – **Fig.15**.

Dit programma is geschikt voor het bereiden van Couscous, Bulgur Wheat, Polenta, Quinoa, Millet...
Als u het 10 cups model gebruikt, gebruik dan niet meer dan 5 cups rijst. De hoeveelheden water is steeds tweemaal de hoeveelheid rijst.

Havermout/Pap Bereiden

Om havermout of pap te bereiden

- De uitgestelde tart functie kan gebruikt worden voor het "Havermout/Pap"- programma. De bereiding kan 2 tot 15 uur op voorhand geprogrammeerd worden.
- Druk op de "Menu"-knop wanneer het toestel op standby staat tot het "Havermout/Pap"-controlelampje oplicht. Op het digitale scherm zal "--" verschijnen en het "start"-controlelampje zal aan- en uitknipperen – **Fig.21**. Druk op de "Start"-knop en de "Havermout/Pap"-functie zal geactiveerd worden. Het "Start"-controlelampje zal oplichten en op het digitale scherm zal "--" verschijnen – **Fig.17**.
- Wanneer het water in de binnenkom begint te koken, zal de zoemer tweemaal biepen en op het digitale scherm zal "10" verschijnen. Deze 10 minuten zullen aftellen.
- Na het verstrijken van de tien minuten, zal het "Houd Warm"-controlelampje oplichten, de koker zal verschillende malen biepen en op het digitale scherm zal "b" verschijnen. De koker zal aan de "Houd Warm"-fase beginnen – **Fig.15**.

Langzaam koken

Om langzaam te koken

- De uitgestelde start functie kan niet gebruikt worden voor de "Langzaam Koken"- Functie.
- Druk op de "Menu"-knop wanneer het toestel op standby staat tot het "Langzaam koken"-controlelampje oplicht. Op het digitale scherm zal "60" verschijnen en het "start"-controlelampje zal aan- en uitknipperen – **Fig.22**. U kunt de tijd per uurinterval instellen, minimaal 60 minuten en maximaal 9 uur.
- Druk op de "Start"-knop, het "Start"-controlelampje zal oplichten en op het digitale scherm zal het tijdsverloop aangegeven worden. Eerst wordt er per uur afgeteld, wanneer er slechts 60 minuten over zijn, per minuut – **Fig.17**.
- Na het verstrijken van de tijd, zal het "Houd Warm"-controlelampje oplichten, de koker zal verschillende malen biepen en op het digitale scherm zal "b" verschijnen. De koker zal aan de "Houd Warm"-fase beginnen – **Fig.15**.

NL

Stomen (voor groenten, vis en fruit)

- Er mag nooit meer water in de kom gedaan worden dan door de "CUP"-maximumaanduiding op de kom aangegeven wordt – **Fig.11**. Als u te veel water in de kom giet, kan de rijst tijdens de bereiding overkoken.
- Het waterniveau moet onder de stoommand blijven.
- Als u de kom tot de 2 cups aanduiding vult, is dat voldoende voor ongeveer 30 minuten koken met het stoomprogramma.
- Leg de ingrediënten in de stoommand
- Plaats de stoommand in de kom – **Fig.23**.
- De uitgestelde start functie kan gebruikt worden voor het "Stoom"-programma. De bereiding kan 2 tot 15 uur op voorhand geprogrammeerd worden.
- Druk op de "Menu"-knop wanneer het toestel op standby staat tot het "Stoom"- controlelampje oplicht. Op het digitale scherm zal de systeemgekozen kooktijd "1" verschijnen en het "Start"-controlelampje zal aan- en uitknipperen – **Fig.24**. Druk op de "Start"-knop om de "Stoom"-functie zonder uitgestelde start te activeren. Op het digitale scherm zal "1" verschijnen – **Fig.25**.
- Als u een uitgestelde start heeft geselecteerd, zal het digitale scherm het verloop van de vooraf ingestelde kooktijd tonen.
- Na het koken zal de zoemer verschillende malen biepen, het "Houd Warm"- controlelampje zal oplichten en op het digitale scherm zal "b" verschijnen. Dit geeft aan dat de rijstkoker aan de "Houd Warm"-fase begint – **Fig.15**. Open het deksel ; het bereide voedsel kan onmiddellijk opgediend worden of een tijdje warm gehouden worden – **Fig.15**.

Desserts maken

Om desserts te maken

- De uitgestelde start functie kan niet gebruikt worden voor de "Dessert"- Functie.
- Druk op de "Menu"-knop wanneer het toestel op standby staat tot het "Dessert"-controlelampje oplicht. Op het digitale scherm zal "--" verschijnen en het "Start"-controlelampje zal aan- en uitknipperen – **Fig.26**. Druk op de "Start"-knop en de "Dessert"-functie zal geactiveerd worden. Het "Start"-controlelampje zal oplichten en op het digitale scherm zal "-" verschijnen – **Fig.17**.
- De dessert functie blijft gedurende 45 minuten actief, daarna wordt de "Houd Warm"-functie geactiveerd. Na het koken zal de zoemer verschillende malen biepen, het "Houd Warm"- controlelampje zal oplichten en op het digitale scherm zal "b" verschijnen. Dit geeft aan dat de rijstkoker aan de "Houd Warm"-fase begint – **Fig.15**.

Automatische warmhoudfunctie

U kunt de warmhoudfunctie van uw rijstkoker enkel voor warm voedsel gebruiken.

- De uitgestelde start functie kan niet gebruikt worden voor de "Houd Warm/Cancel"- Functie. Druk op de "Houd Warm/Cancel"-knop wanneer het toestel op standby staat, het "Houd Warm/Cancel"-indicatorlampje zal oplichten en op het digitale scherm zal "b" verschijnen. Dit geeft aan dat de rijstkoker aan de "Houd Warm"-fase begint – **Fig.15**.
- Druk op de "Houd Warm/Cancel"-knop wanneer een programma werd geselecteerd of een functie geactiveerd werd, om deze te stoppen en naar standby terug te keren.
- Wanneer de koker gedurende 24 uur op "Houd Warm" blijft, zal het systeem de "Houd Warm"-functie automatisch uitschakelen en terug naar standby keren.
- De "Houd Warm"-functie mag niet gebruikt worden om voedsel op te warmen.

Stroomonderbreking backup (kort geheugen functie)

- De koker heeft een "kort geheugen"-functie in het geval van stroomonderbrekingen van 3 tot 10 seconden. Wanneer er terug elektriciteitstoevoer is, keert de koker automatisch terug naar de originele instellingen en wordt het kookproces voortgezet. Bij langere stroomonderbrekingen, zal de koker terug naar standby keren.

Na het koken

De stoom die uit het toestel komt, is zeer warm.

Haal de kom, na het koken, nooit zonder ovenhandschoenen uit het toestel.

- Open het deksel.
- Dien het voedsel op met de plastic lepel die bij het toestel geleverd wordt en sluit het deksel.
- Het voedsel dat u in de kom laat, zal een tijdje warm blijven zodat u het later kunt opdienen.
- Vergeet niet na het warmhouden op de "CANCEL"-knop te drukken en het toestel uit te schakelen.

NL

Reiniging en onderhoud Condensaatopvangbak

- De condensaatopvangbak dient na elk gebruik geledigd en gereinigd te worden.
- Om de bak te verwijderen, drukt u op beide kanten van de plastic afscherming en verwijdert u de afscherming – **Fig.27**.
- Om de condensaatopvangbak opnieuw te plaatsen, drukt u de schaal stevig op de flens.

Kom, stoommand, condensaatopvangbak, stoomklep en stoommand

- Wanneer u het binnendeksel verwijderd hebt, duwt u de stoomklep met uw vinger door het gaatje aan de onderkant van het deksel – **Fig.4**, draai de stoomklep in de ontgrendelingsrichting tot de bovenste driehoek op één lijn staat met het geopende hangslot en u het bovenste en het onderste gedeelte van de stoomklep kunt scheiden – **Fig.5**.
- Haal de stekker uit het toestel alvorens de kom te verwijderen. Gebruik warm water, zeepsop en een spons om de kom schoon te maken – **Fig.28**, de condensaatopvangbak – **Fig.28**, de stoomklep – **Fig.29**, het verwijderbare binnendeksel – **Fig.30**, de lepel en de cup. Schuurpoeder en metalen sponsjes worden niet aangeraden.
- Als er voedsel aan de onderkant van de kom kleeft, laat u de kom eerst weken alvorens de kom af te wassen.
- De anti-aanbakkom, de stoommand, de condensaatopvangbak, de lepel en de cup mogen in de vaatwasser.
- Droog de kom goed af.
- Dompel het toestel niet onder in water. Zorg ervoor dat er geen water in de binnenkant van het toestel binnendringt.

Wees voorzichtig met de kom

- Snijd nooit voedsel in de kom om de antikleeflaag niet te beschadigen.
- Gebruik plastic of houten, geen metalen, keukengerei om te roeren en het voedsel op te dienen. Zo beschadigt u het oppervlak van de kom niet.

- Giet geen azijn in de kom om roestvorming te voorkomen.
- De kleur van het oppervlak van de kom kan na de eerste ingebruikname of na een lange gebruikspriode veranderen. Deze kleurverandering wordt veroorzaakt door de werking van stoom en water en heeft geen gevolgen voor de werking en het gebruik van de rijstkoker. Deze verandering is niet gevaarlijk voor uw gezondheid. U kunt het toestel, zonder gevaar, blijven gebruiken.
- Gebruik geen handmixer in de anti-aanbakkom om voedsel te mengen.

Reiniging en onderhoud van de andere delen van het toestel

Laat het product eerst afkoelen.

- Trek de stekker uit het toestel alvorens het apparaat te reinigen.
- Maak de buitenkant van de rijstkoker, de binnenkant van het deksel – **Fig.30** en de kabel met een vochtige doek schoon en wrijf de delen droog. Gebruik geen schuurmiddelen.
- Gebruik geen water om de binnenkant van het toestel schoon te maken. De hitesensoren kunnen beschadigd worden.

Gids voor het opsporen van technische fouten

Beschrijving van het probleem	Oorzaken	Oplossing
Op het LED-scherm verschijnt "EO".	De bovenste sensor staat open of er is kortsluiting ontstaan.	Wend u tot een Erkend Service Center om het toestel te laten herstellen.
Op het LED-scherm verschijnt "E1".	<ul style="list-style-type: none"> • Geen kom. • De onderste sensor staat open of er is kortsluiting ontstaan. 	<ul style="list-style-type: none"> • Plaats de kom in het toestel. Steek de stekker in het toestel. • Wanneer er, na het plaatsen van de kom, nog steeds E1 op het scherm staat, wend u dan tot een Erkend Service Center om het toestel te laten herstellen.
De controlelampjes lichten niet op en het toestel warmt niet op.	De stekker van de rijstkoker werd niet ingestoken.	Controleer of de stroomkabel goed in de rijstkoker werd gestoken en of het toestel correct op het elektriciteitsnet werd aangesloten.
Het controlelampje licht niet op en het toestel warmt niet op.	Er doet zich een probleem voor met de interne verbinding van het controlelampje of het controlelampje werd beschadigd.	Wend u tot een Erkend Service Center om het toestel te laten herstellen.
Er ontsnapt stoom tijdens het gebruik.	Het deksel werd niet goed gesloten.	Open en sluit het deksel opnieuw.
	De stoomklep werd niet correct geplaatst of niet goed geïnstalleerd.	Stop het kookproces (haal de stekker uit het toestel) en controleer of de stoomklep correct geïnstalleerd werd (de 2 delen passen in elkaar) en juist geplaatst werd.
	Het deksel of de stoomklep werden beschadigd.	Wend u tot een Erkend Service Center om het toestel te laten herstellen.
De rijst is niet volledig gaar of te gaar.	Er werd te veel of te weinig water aan de rijst toegevoegd.	Lees de instructies over de te gebruiken hoeveelheden water.
De automatische warmhoudfunctie werkt niet (het toestel blijft op het kookprogramma hangen of de warmhoudfunctie warmt niet op).		Wend u tot een Erkend Service Center om het toestel te laten herstellen.
Er lekt water op het werkoppervlak.	Er werd geen condensaatopvangbak geplaatst of de bak is overvol.	Leeg de condensaatopvangbak na elk gebruik en controleer of de schaal correct geplaatst werd.

Opmerking: als de binnenkom beschadigd werd, gebruik deze dan niet langer en wend u tot een Erkend Service Center om de kom te herstellen.

Beskrivelse

1. Dampkurv
2. Mærker for vandniveau
3. Udtagelige non-stick beholder
4. Risske
5. Knap til åbning af låg
6. Låg
7. Indvendigt aftageligt låg
8. Målebæger
9. Mikrotrykventil
10. Drypbakke
11. Håndtag
12. Skeholder
13. Elledning
14. Varmeplade
15. Sensor
16. Kontrolpanel
 - a. Knappen "HOLDE VARM/ANNULLÉR" (KEEP WARM/CANCEL) (grøn)
 - b. Knappen "FORUDINDSTILLET" (PRESET)
 - c. Knappen for reducér tid
 - d. Indikatorlampe for kogning af hvide ris
 - e. Indikatorlampe for kogning af parboiled ris
 - f. Indikatorlampe for kogning af brune ris
 - g. Indikatorlampe for kogning af gryn
 - h. Visning af sluttidspunkt for kogning (kun med valgte programmer) eller visning af Holde varm-funktionen er i drift (kun med valgte programmer)
 - i. Indikatorlampe for kogning af havregryn/havregrød
 - j. Indikatorlampe for langsom kogning
 - k. Indikatorlampe for dampkogning
 - l. Indikatorlampe for tilberedning af dessert
 - m. Knappen "START"
 - n. Knappen "MENU"
 - o. Knappen for øg tid

Inden første ibrugtagning

Pak apparatet ud

- Tag apparatet ud af emballagen, og pak alle dele og dokumentation ud.
- Åbn låget ved at trykke på knappen til åbning af låget – **Fig.1**.
- Montér skeholderen: Sæt holderens plastikkrog i hullet, der sidder for neden på apparatet, og skub den nedad – **Fig.2**.

Læs brugsvejledningen, og følg anvisningerne for brug af apparatet nøje.

Rengør apparatet

- Fjern non-stick beholderen, det indvendige aftagelige låg og mikrotrykventilen. Du fjerner det indvendige låg ved at trykke på frigørelsesmekanismen i højre side, for at frigøre låget – **Fig.3**.
- Når det indvendige låg er fjernet, skubbes mikrotrykventilen op gennem hullet på undersiden af låget vha. en finger – **Fig.4**. Du skiller den øverste og underste del af mikrotrykventilen fra hinanden ved at dreje ventilen i retningen for oplåsning og ved at dreje på den øverste trekant, indtil den står ud for symbolet med åben hængelås. Derefter skilles de fra hinanden – **Fig.5** og **Fig.6**.
- Rengør beholderen, det indvendige aftagelige låg, mikrotrykventilen og alle delene med en svamp og opvaskemiddel. Tør den udvendige side af apparatet og metaldelene på låget af med en fugtig klud.
- Tør omhyggeligt efter.
- Non-stick beholderen, dampkurven, drypbakken, skeen og bægret kan vaskes i opvaskemaskine.

- Sæt mikrotrykventilen på plads igen. Placér den øverste trekant med den åbne hængelås på mikrotrykventilen, for at samle de to dele. Drej derefter i retningen for låsning, indtil den øverste trekant står ud for den låste hængelås, som angiver, at de to dele er låst. Sæt derefter mikrotrykventilen ned i låget igen – **Fig.7**. Sørg for, at trekanten i mikrotrykventilen står ud for trekanten på låget, og tryk hårdt på den, indtil den sidder på plads.
- Fjern det indvendige aftagelige låg ved at sætte tappen på venstre side ind i den tilsvarende åbning på låget. Skub derefter på låget, indtil tappen på højre side klikker på plads. Den brede side af forseglingen skal ligge øverst, når låget sættes på.

Sådan bruger du din riskoger

For alle 8 funktioner

- Tør beholderen grundigt af udvendigt (især bunden). Sørg for, at der ikke er fremmedelementer eller væske nede under beholderen og på varmepladen – **Fig.8**.
- Sæt beholderen i apparatet – **Fig.9**, og sørg for, at den sidder rigtigt.
- Drej beholderen en smule i begge retninger, for at sikre, at der er en god kontakt mellem bunden på beholderen og varmepladen.
- Tjek, at drypbakken sidder rigtigt. Hvis ikke det er tilfældet, så sæt den på plads ved at trykke hårdt på den, så den går ind i slidsen – **Fig.10**.
- Luk låget.
- Sæt elstikket ind i apparatet for neden. Kontrollér, at det sidder helt inde.
- Sæt apparatet i stikkontakten. Der lyder nu en lang "biplyd". Den digitale skærm og indikatorlamperne blinker én gang, hvorefter den digitale skærm viser "--". Dette symbol angiver, at riskogeren befinder sig i standbytilstand og at den er klar til, at der kan vælges en funktion.
- Tænd ikke for apparatet, før alle ovennævnte trin er udført.
- Tænd ikke for apparatet med en tom kogebeholder.
- Rør ikke ved varmepladen, når apparatet er tændt.

Sæt aldrig din hånd på mikrotrykventilen under kogning, da der er risiko for forbrændinger.

Hvis du ønsker at ændre den valgte kogemenu, trykker du på knappen "ANNULLÉR" (CANCEL) og vælger det ønskede program.

Brug kun den indvendige beholder, som følger med apparatet.

Hæld ikke vand eller ingredienser i apparatet, uden at beholderen er på plads.

SAMMENFATNING AF PROGRAMMER OG FUNKTIONER

Program	Forsinket start (forudindstillet)	Simrefase (+ simretid)	Holde varm* (Keep Warm*)
Hvide ris (White rice)	JA	JA - 14 min.	JA
Parboiled ris (Quick rice)	JA	JA - 10 min.	JA
Brune ris (Brown rice)	JA	JA - inkl. i kogetiden	JA
Gryn (Grains)	JA	JA - 10 min.	JA
Havregryn/Havregrød (Oatmeal/Porridge)	JA	JA - 10 min.	JA
Langsom kogning (Slow cooking)	NEJ	NEJ	JA
Dampning (Steaming)	JA	NEJ	JA
Dessert	NEJ	NEJ	JA

* Holde varm"-funktionen er tændt uafbrudt i 24 timer, hvorefter systemet automatisk annullerer "Holde varm"-funktionen og går tilbage til standbytilstand.

Sådan måler du ingredienserne - Beholderens maksimumkapacitet

- Inddelingerne på beholderens inderside står angivet i liter og bægre, og de bruges til at måle mængde vand ved kogning af ris – **Fig.11**.
- Plastikbægret, som følger med apparatet, er til at måle ris, og tabellen angiver den mængde ris, som er nødvendig til antal portioner. 1 strøget målebæger med ris vejer ca. 150 g.
- For at få det bedste resultat anbefaler vi, at der bruges almindelig ris og ikke parboiled ris, som har en tendens til at klumpe sammen og klistre til bunden.
- Til kogning af 1 bæger hvide ris (svarer til 2 små eller 1 stor portion) anvendes 1 målebæger hvide ris, og der tilsættes 1½ målebæger vand. For nogle slags ris er det helt normalt, at lidt ris klæber til bunden, når der koges 1 bæger ris. Det bedste resultat fås ved kogning af 2 eller flere bægre ris.
- Den maksimale mængde vand + ris må aldrig gå op over mærket for 10 bægre inde i beholderen – **Fig.11**.
- Kogetiderne angivet i tabellerne er omtrentlige og kun vejledende.
- Stil apparatet på et fladt, solidt, varmebestandigt arbejdsunderlag væk fra vandstænk og varmekilder.
- Mål risen vha. det medfølgende plastikmålebæger, og skyl den grundigt i koldt vand inden kogning.
- Hæld ris i beholderen. Hæld derefter koldt vand op til det aktuelle "BÆGER"-mærke på beholderen (se kogevejledningen nedenfor) – **Fig.12**.
- Luk låget.
Bemærk: Hæld altid risen i først, ellers får du for meget vand.

Riskogeren bestemmer selv den nøjagtige kogetid, afhængigt af den mængde vand og ingredienser, der kommer i beholderen (se kogetabellen herunder for vejledende tider).

KOGEVEJLEDNING FOR HVIDE RIS - 10 BÆGRE

Målebægre med hvide ris	Vægt for hvide ris	Vandstand i beholderen (+ risen)	Portioner	Ca. kogetid*
2	300 g	Mærke for 2 bægre	3-4	42 min.
4	600 g	Mærke for 4 bægre	5-6	46 min.
6	900 g	Mærke for 6 bægre	8-10	50 min.
8	1200 g	Mærke for 8 bægre	13-14	55 min.
10	1500 g	Mærke for 10 bægre	16-18	60 min.

* Riskogeren bestemmer automatisk kogetiden afhængigt af mængde ris og vand i beholderen. Kogefasen efterfølges automatisk af en simrefase.

Kogning med forsinket start - funktionen "Forudindstillet" (Preset)

- Det er muligt at forsinke starttidspunktet af kogningen.
- Tryk på knappen "Menu", indtil indikatorlampen for den ønskede funktion tændes. Tryk derefter på knappen "Forudindstillet" (Preset), og den digitale skærm viser den forudindstillede minimumstid for det valgte program (den forudindstillede tid flimrer og viser, at den forudindstillede tid endnu ikke er valgt) – **Fig.13**. Tryk på ◀▶ for at indstille den ønskede forudindstillede tid, og tryk derefter på knappen "Start" (den forudindstillede tid inkluderer kogetiden, dvs. apparatet holder op med at koge, når den forudindstillede tid er gået) – **Fig.14**. Ved hvert tryk øges eller reduceres den forudindstillede tid med 1 time.
- Efter kogning tændes indikatorlampen "Holde varm" (Keep Warm) og bipper flere gange. Den digitale skærm viser "b" for at angive, at nu kan låget åbnes, og maden kan serveres – **Fig.15**.
- Den længste forudindstillede tid er 15 timer. Når der er gået 15 timer, vender apparatet tilbage til det forudindstillede antal standardminimumstimer.

Kogning med forsinket start gælder kun følgende programmer: Hvide ris, parboiled ris, gryn, brune ris, havregryn/havregrød, dampning.

DA

Kogning af hvide ris

I simrefasen

absorberes den

tilbageværende væske.

- Den forsinkede startfunktion kan bruges til programmet "Hvide ris", hvor intervallet for tidsforsinkelse er 2-15 timer.
- Tryk på knappen "Menu" i standbytilstand, indtil indikatorlampen "Hvide ris" tændes. Den digitale skærm viser "--", og indikatorlampen "Start" flimrer – **Fig.16**. Tryk på knappen "Start": Riskogeren går ind i kogetilstanden "Hvide ris", indikatorlampen "Start" er fortsat tændt, og den digitale skærm viser "-" – **Fig.17**.
- Når den indvendige beholder er tør, lyder der 2 bip, og simrefasen på 14 minutter begynder. Skærmen viser nedtælling af de 14 minutter.
- Efter nedtællingen tændes indikatorlampen "Holde varm" (Keep Warm), og riskogeren bipper flere gange, ligesom den digitale skærm viser "b". Åbn låget og rør i risen med risskeen, for at skille risen ad. Den kogte ris kan enten serveres straks eller holdes varm i den ønskede tid – **Fig.15**.

Kogning af parboiled ris

- "Parboiled ris"-funktionen er kun til kogning af hvide ris. Den forsinkede startfunktion kan bruges til programmet "Parboiled ris", hvor intervallet for tidsforsinkelse er 2-15 timer.
- Tryk på knappen "Menu" i standbytilstand, indtil indikatorlampen "Parboiled ris" tændes. Den digitale skærm

viser "--", og indikatorlampen "Start" flimrer – **Fig.18**. Tryk på knappen "Start": Riskogeren går ind i kogetilstanden "Parboiled ris", indikatorlampen "Start" er fortsat tændt, og den digitale skærm viser "-" – **Fig.17**.

- Når den indvendige beholder er tør, lyder der flere bip, og den digitale skærm viser "10", for at angive de 10 minutters nedtælling for automatisk simren.
- Efter nedtællingen tændes indikatorlampen "Holde varm" (Keep Warm), og riskogeren bipper flere gange, ligesom den digitale skærm viser "b". Åbn låget og rør i risen med skeen, for at undgå, at risen klumper sammen. Den kogte ris kan enten serveres straks eller holdes varm i den ønskede tid – **Fig.15**.
- Denne funktion har en kortere kogetid og den er god, hvis tiden er knap.
- Drypbakken tømmes og rengøres efter hver brug.

Kogning af brune ris

Sådan koger du brune ris

- Den forsinkede startfunktion kan bruges til programmet "Brune ris", hvor intervallet for tidsforsinkelse er 2-15 timer.
- Tryk på knappen "Menu" i standbytilstand, indtil indikatorlampen "Brune ris" tændes. Den digitale skærm viser "90", og indikatorlampen "Start" flimrer – **Fig.19**. Tryk på knappen "Start": Riskogeren går ind i kogetilstanden "Brune ris", indikatorlampen "Start" er fortsat tændt, og den digitale skærm viser nedtællingstiden – **Fig.17**.
- Der er en simrefase. Simretiden er allerede inkluderet i kogetiden på 90 minutter.
- Efter simrefasen tændes indikatorlampen "Holde varm" (Keep Warm), og der lyder flere bip, ligesom den digitale skærm viser "b". Riskogeren går ind i "Holde varm"-fasen – **Fig.15**.

Nogle anbefalinger, for at opnå det bedste resultat ved kogning af ris

- Afmål risen, og vask den grundigt under rindende vand i en sigte i længere tid (med undtagelse af risotto-ris, som ikke bør vaskes). Hæld derefter risen i beholderen sammen med den tilsvarende mængde vand.
- Sørg for, at risen er godt fordelt ud over hele beholderen, så kogningen bliver ensartet.
- Smag om nødvendigt til med salt.
- Der kan tilsættes vand, hvis risen skal gemmes. Der er i så fald risiko for, at risen bliver lidt brun i bunden.
- Åbn ikke låget under kogning, da dampen slipper ud, og dette påvirker kogetiden og smagen.

Kogning af gryn

Sådan koger du gryn

- Den forsinkede startfunktion kan bruges til programmet "Gryn", hvor intervallet for tidsforsinkelse er 2-15 timer.
- Tryk på knappen "Menu" i standbytilstand, indtil indikatorlampen "Gryn" tændes. Den digitale skærm viser "--", og indikatorlampen "Start" flimrer – **Fig.20**. Tryk på knappen "Start": Riskogeren går ind i kogetilstanden "Gryn", indikatorlampen "Start" er fortsat tændt, og den digitale skærm viser "-" – **Fig.17**.
- Når den indvendige beholder er tør, lyder der 2 bip, og den digitale skærm viser "10", for at angive de 10 minutters nedtælling for automatisk simren.
- Efter simrefasen tændes indikatorlampen "Holde varm" (Keep Warm), riskogeren bipper flere gange, og den digitale skærm viser "b". Åbn låget og rør i grynene med skeen, for at undgå, at de klumper sammen. De kogte gryn kan enten serveres straks eller holdes varme i den ønskede tid – **Fig.15**.

Dette program er velegnet til couscous, bulgur, majsgrød (polenta), peruansk ris (quinoa), hirse osv.

Hvis du bruger fremgangsmåden med 10 bægre, skal du ikke bruge mere end 5 bægre gryn.

Tilsæt dobbelt så meget vand, som den mængde gryn du har hældt i beholderen.

DA

Kogning af havregryn/havregrød

- Funktionen forudindstillet tid kan bruges til programmet "Havregryn/Havregrød", hvor intervallet for tidsforsinkelse er 2-15 timer.
- Tryk på knappen "Menu" i standbytilstand, indtil indikatorlampen "Havregryn/Havregrød" tændes. Den digitale skærm viser "--", og indikatorlampen "Start" flimrer – **Fig.21**. Tryk på knappen "Start": Riskogeren går ind i kogetilstanden "Havregryn/Havregrød", indikatorlampen "Start" er fortsat tændt, og den digitale skærm viser "-" – **Fig.17**.
- Når vandet i den indvendige beholder når kogepunktet, lyder der 2 bip, og den digitale skærm viser "10", for at indikere, at riskogeren begynder nedtællingen fra 10 minutter.
- Når nedtællingen er slut, tændes indikatorlampen "Holde varm" (Keep Warm), riskogeren bipper flere gange, og den digitale skærm viser "b". Riskogeren går ind i "Holde varm"-tilstanden – **Fig.15**.

Langsom kogning

Sådan koger du langsomt

- Den forsinkede starttid kan ikke bruges sammen med funktionen "Langsom kogning".
- Tryk på knappen "Menu" i standbytilstand, indtil indikatorlampen "Langsom kogning" tændes. Den digitale skærm viser "60", og indikatorlampen "Start" flimrer – **Fig.22**.

Tiden kan indstilles fra 60 minutter til 9 timer med en times interval.

- Tryk på knappen "Start": Indikatorlampen "Start" lyser fortsat, og den digitale skærm viser nedtællingstiden med intervaller på 1 time og efter 60 minutter med intervaller på 1 minut – **Fig.17**.
- Når nedtællingen er slut, tændes indikatorlampen "Holde varm" (Keep Warm), riskogeren bipper flere gange, og den digitale skærm viser "b". Riskogeren går ind i "Holde varm"-tilstanden – **Fig.15**.

Dampkogning (til grøntsager, fisk og frugt)

- Den maksimale mængde vand i beholderen bør ikke overskride mærket for maks. antal bægre vist under "BÆGER" (CUP) på beholderen – **Fig.11**. Ved overskridelse af dette niveau kan apparatet koge over under brugen.
- Vandstanden bør være under dampkurven.
- Det er tilstrækkeligt at fylde vand på op til mærket for 2 bægre ved 30 minutters kogning på dampprogrammet.
- Alle ingredienser placeres i dampkurven.
- Sæt dampkurven i beholderen – **Fig.23**.
- Den forsinkede startfunktion kan bruges til programmet "Damp", hvor intervallet for tidsforsinkelse er 2-15 timer.
- Tryk på knappen "Menu" i standbytilstand, indtil indikatorlampen "Damp" tændes. Den digitale skærm viser standardkogetiden "1", og indikatorlampen "Start" flimrer – **Fig.24**. Tryk på knappen "Start", for at gå ind i kogetilstanden "Damp", hvis der ikke er brug for en forsinket start. Den digitale skærm viser "1" – **Fig.25**.
- Hvis der er valgt forsinket start, viser den digitale skærm nedtællingen af den forudindstillede tid i kogetilstand.
- Når kogning er afsluttet, lyder der flere bip, indikatorlampen "Holde varm" tændes, og den digitale skærm viser "b", for at angive, at riskogeren går ind i "Holde varm"-tilstanden – **Fig.15**. Åbn låget. Den kogte ret kan enten serveres straks eller holdes varm i den ønskede tid – **Fig.15**.

Tilberedning af dessert

Sådan tilbereder du en dessert

- Startfunktionen med forsinket tid kan ikke bruges sammen med funktionen "Dessert".
- Dessertfunktionen er velegnet til at lave formkager.
- Tryk på knappen "Menu" i standbytilstand, indtil indikatorlampen "Dessert" tændes. Den digitale skærm viser "--", og indikatorlampen "Start" flimrer – **Fig.26**. Tryk på knappen "Start": Riskogeren går ind i kogetilstanden "Dessert", indikatorlampen "Start" er fortsat tændt, og den digitale skærm viser "--" – **Fig.17**.

73• Dessertfunktionen er fortsat tændt i 45 minutter, derefter

tændes "Holde varm"-funktionen. Når kogning er afsluttet, lyder der flere bip, indikatorlampen "Holde varm" tændes, og den digitale skærm viser "b", for at angive, at riskogeren går ind i "Holde varm"-tilstanden – **Fig.15**.

Den automatiske holde varm-funktion

Start af riskogeren i holde varm-tilstand må kun bruges til varm mad.

- Forudindstilling af tid findes ikke til funktionen "Holde varm/Annullér".
- Tryk på knappen "Holde varm/Annullér" (Keep Warm/Cancel) i standbytilstande. Indikatorlampen "Holde varm/Annullér" tændes, og den digitale skærm viser "b", for at angive, at riskogeren går ind i Holde varm-tilstanden – **Fig.15**.
- Tryk på knappen "Holde varm/Annullér", mens der indstilles et program, eller en funktion befinder sig i arbejdstilstand, for at annullere det og for at gå tilbage til standbytilstand.
- Hvis riskogeren bliver i "Holde varm"-tilstanden uafbrudt i 24 timer, annullerer systemet automatisk "Holde varm"-funktionen og går tilbage til standbytilstand.
- "Holde varm"-funktionen bør ikke bruges til genopvarmning af mad.

DA

Backup ved strømsvigt (korttidshukommelsesfunktion)

- Riskogeren har en "korttidshukommelses"-funktion i tilfælde af strømsvigt på 3-10 sekunder. Når strømmen vender tilbage, går riskogeren automatisk tilbage til den oprindelige indstilling og fortsætter kogningen. I tilfælde af længere strømsvigt, går riskogeren tilbage til standbytilstand.

Efter endt kogning

Den damp, som kommer ud, er meget varm.

Tag aldrig beholderen ud uden grydelapper efter kogning.

- Åbn låget.
- Servér maden vha. den medfølgende plastiske, og luk låget.
- Den mad, der bliver tilbage i beholderen, holder sig varm til senere servering.
- Glem ikke at trykke på knappen "ANNULLÉR" (CANCEL) efter opvarmning og at trække stikket ud.

Rengøring og vedligeholdelse

Drypbakke

- Drypbakken skal tømmes og rengøres efter hver brug.
- Du fjerner drypbakken ved at trykke på hver side af plastiklåget og ved at tage den af – **Fig.27**.
- Du sætter drypbakken tilbage ved at trykke den hårdt på plads.

Beholder, drypbakke, mikrotrykventil og dampkurv

- Efter fjernelse af det indvendige låg, skubbes mikrotrykventilen op igennem hullet til låget vha. fingeren fra undersiden af låget

- **Fig.4**, Mikrotrykventilen drejes i retningen for oplåsning, indtil den øverste trekant står ud for den åbne hængelås, og endelig skilles den øverste og nederste del af mikrotrykventilen fra hinanden – **Fig.5**.
- Tag apparatets elledning ud af stikket, inden beholderen fjernes. Brug varmt vand, opvaskemiddel og en svamp, for at vaske beholderen – **Fig.28**, drypbakken – **Fig.28**, mikrotrykventilen – **Fig.29**, det indvendige, aftagelige låg – **Fig.30**, skeen og bægret. Det kan ikke anbefales at bruge skurepulver og metalsvamp.
 - Hvis maden har sat sig fast i bunden, lad beholderen stå i blød et stykke tid, inden den vaskes.
 - Non-stick beholderen, dampkurven, drypbakken, skeen og bægret kan vaskes i opvaskemaskine.
 - Tør beholderen grundigt.
 - Nedsenk ikke apparatet i vand, og hæld heller ikke vand ind i apparatets hoveddel.

Vedligeholdelse af beholderen

- For at undgå beskadigelse af beholderens non-stick belægning, må der ikke skæres i maden i den.
- Brug redskaber af plastik eller træ - og ikke af metal, når der skal røres i eller serveres mad, for at undgå at beskadige beholderens overflade.
- For at undgå risikoen for tæring, bør der ikke hældes eddike i beholderen.
- Farven på beholderens overflade kan ændre sig efter første brug, eller efter lang tids brug. Denne ændring af farven skyldes påvirkning fra damp og vand og det betyder ikke noget for brugen af riskogeren, ligesom det heller ikke er sundhedsfarligt. Det er helt sikkert fortsat at bruge den.
- Brug ikke en håndmixer direkte i non-stick beholderen, for at blande ingredienser.

Rengøring og vedligeholdelse af de andre dele af apparatet

Lad apparatet køle af.

- Træk apparatet ud af stikket inden rengøring.
- Rengør riskogeren udvendigt, den indvendige side af låget – **Fig.30** og ledningen med en fugtig klud, og tør efter. Brug ikke slibemidler.
- Brug ikke vand til rengøring af apparatets hoveddel indvendigt, da det kan beskadige varmesensoren.

Guide til teknisk fejlfinding

Beskrivelse af funktionsfejl	Årsager	Løsning
LED-skærmen viser "E0".	Øverste hovedsensor, åbent kredsløb eller kortslutning.	Sendes til autoriseret servicecenter for reparation.
LED-skærmen viser "E1".	<ul style="list-style-type: none"> • Ingen beholder. • Nederste hovedsensor, åbent kredsløb eller kortslutning. 	<ul style="list-style-type: none"> • Sæt beholderen i apparatet. Sæt derefter apparatet i stikkontakten. • Hvis displayet, efter at beholderen er sat i, stadig viser E1, sendes apparatet til autoriseret servicecenter for reparation.
Indikatorlamperne lyser ikke, og apparatet bliver ikke varmt.	Riskogeren er ikke tilsluttet strøm.	Tjek, at elledningen er sat ordentligt i riskogeren, og at apparatet er tilsluttet strøm.
Indikatorlampen lyser ikke, men apparatet bliver varmt.	Et problem med den interne forbindelse i indikatorlampen, eller indikatorlampen er beskadiget.	Sendes til autoriseret servicecenter for reparation.
Dampudslip under brug.	Låget er dårligt lukket.	Åbn, og luk låget igen.
	Mikrotrykventilen sidder ikke rigtigt eller er samlet forkert.	Afbryd kogningen (tag apparatet ud af stikket), og tjek, at ventilen er samlet ordentligt (de 2 dele skal være låst sammen) og sidder korrekt.
	Låget eller mikrotrykventilens pakning er beskadiget.	Sendes til autoriseret servicecenter for reparation.
Risen er ikke helt kogt eller er kogt for meget.	Ikke nok eller for meget vand sammenlignet med mængde ris.	Der henvises til anvisningerne for mængde vand.
Den automatiske Holde varm-funktion svigter (apparatet bliver stående på kogeprogrammet eller varmer ikke på Holde varm).		Sendes til autoriseret servicecenter for reparation.
Vandlækage på arbejdsoverfladen.	Drypbakke mangler eller overløb fra drypbakke.	Tøm drypbakken efter hver brug, og kontrollér, at den er placeret rigtigt.

DA

Bemærkning: Hvis den indvendige beholder er beskadiget, bør den ikke bruges igen, og der skal rekvireres en ny fra det autoriserede servicecenter.

Kuvaus

1. Höyrykori
2. Vedentason merkit
3. Irrotettava tarttumista hylkivä kulho
4. Riisilusikka
5. Kannen avauspainike
6. Kansi
7. Irrotettava sisäkansi
8. Mittakuppi
9. Mikropaineventtiili
10. Kondensaatioveden kerääjä
11. Kahva
12. Lusikan kannatin
13. Sähköjohto
14. Lämmityslevy
15. Anturi
16. Käyttöpaneeli
 - a. "LÄMPIMÄNÄPITO/PERUUTUS" (KEEP WARM/CANCEL) -painike (vihreä)
 - b. "ESISÄÄTÖ" (PRESET) -painike
 - c. Ajan lyhennyspainike
 - d. Valkoisen riisin valmistuksen merkkivalo
 - e. Pikariisin valmistuksen merkkivalo
 - f. Ruskean riisin valmistuksen merkkivalo
 - g. Ryynien valmistuksen merkkivalo
 - h. Valmistuksen loppumisajan näyttö (vain valittujen ohjelmien kanssa) tai lämpimänäpito toiminnon ilmaisin on toiminnassa (vain valittujen ohjelmien kanssa)
 - i. Kaurapuuron/puuronkeiton merkkivalo
 - j. Hitaan valmistuksen merkkivalo
 - k. Höyrytyksen merkkivalo
 - l. Jälkiruoan valmistuksen merkkivalo
 - m. "START"-painike
 - n. "MENU/VALIKKO"-painike
 - o. Ajan lisäyspainike

Ennen ensimmäistä käyttökertaa

Ota laite pakkauksesta

- Ota laite pakkauksesta ja avaa kaikkien lisävarusteiden ja painettujen asiakirjojen pakkaus.
- Avaa kansi painamalla avauspainiketta, joka sijaitsee kannella – **Fig.1.**
- Asenna lusikan kannatin: laita muovikoukku koloon tuotteen alaosaan ja liu'uta sitä ylöspäin – **Fig.2.**

Lue ohjeet huolella ja noudata tarkasti käyttömenetelmiä.

Puhdistus

- Irrota tarttumista hylkivä kulho, irrotettava sisäkansi ja mikropaineventtiili. Sisäkannen irrottamiseksi on painettava kiinnitintä oikealla sivulla kannen vapauttamiseksi – **Fig.3.**
- Kun olet irrottanut sisäkannen, työnnä mikropaineventtiili ylös sormella aukon kautta kannen alapuolella – **Fig.4.** Mikropaineventtiilin ylä- tai alaosan erottamiseksi venttiiliä on kierrettävä avaussuuntaan kääntämällä yläkolmiota, kunnes se on samassa linjassa avoimen lukkosymbolin kanssa, erota sitten osat – **Fig.5 ja Fig.6.**
- Puhdista kulho, irrotettava sisäkansi, mikropaineventtiili ja kaikki lisävarusteet sienellä ja pesuaineella. Pyyhi laitteen ulkopuoli ja metalliosat kostealla kankaalla.
- Kuivaa huolella.
- Tarttumista hylkivän kulhon, höyrykorin, kondensaatioveden kerääjän, lusikan ja kulhon voi pestä astianpesukoneessa.
- Laita mikropaineventtiili paikoilleen. Kohdista yläkolmio mikropaineventtiilin avoimen lukkosymbolin kanssa osien liittämiseksi yhteen, kierrä sitten lukitusuuntaan, kunnes yläkolmio on samassa linjassa

lukitun lukon kanssa. Tämä osoittaa, että osat on lukittu, laita sitten mikropaineventtiili takaisin kannelle – **Fig.7**. Varmista, että mikropaineventtiin kolmio on samassa linjassa kannen kolmion kanssa ja paina tiukasti alas, kunnes se istuu paikoillaan.

- Laita irrotettava sisäkansi paikoilleen laittamalla vasemmalla puolella oleva korva kannen koloon, paina kansi sisään, kunnes korva oikealla puolella naksahuttaa paikoilleen. Tiivisteen leveän puolen tulee olla ylinnä, kun laitot kannen paikoilleen.

Riisikeittimen käyttö

Kaikki 8 toimintoa

- Pyyhi kulhon sisäpuoli huolella (erityisesti pohja). Varmista, että kulhon alla olevalla lämmityslevyllä ei ole mitään vieraita jäämiä tai nestettä – **Fig.8**.
- Laita kulho laitteeseen – **Fig.9** ja varmista, että se on kunnolla paikoillaan.
- Kierrä kulhoa hieman molempiin suuntiin, jotta varmistut, että kulhon pohjan ja lämmityslevyn välillä on hyvä kontakti.
- Tarkasta, että kondensaatioveden kerääjä on oikein paikoillaan, jos näin ei ole, asenna se työntämällä se tiukasti uraan – **Fig.10**.
- Sulje kansi.
- Laita sähköjohto laitteen alustaan. Tarkasta, että se on työnnetty tiukasti paikoilleen.
- Kytke laite sähköverkkoon. Laite päästää äänimerkin, digitaalinäyttö ja merkkivalot syttyvät kerran, digitaalinäyttöön tulee "--". Se tarkoittaa, että riisikeitin on valmiustilassa toiminnon valintaa varten.
- Älä kytke laitetta, ennen kuin kaikki vaiheet yllä on tehty.
- Älä käynnistä laitetta, jos sen valmistuskulho on tyhjä.
- Älä koske lämmityslevyyn, kun laite on kytketty verkkoon.

Älä koskaan laita kättä mikropaineventtiin valmistuksen aikana, voit saada palovammoja.

Jos haluat vaihtaa valitsemasi valmistuksen, paina painiketta "CANCEL" (peru) ja valitse haluamasi ohjelma. Käytä vain laitteen mukana toimitettua sisäkulhoa.

Älä kaada vettä tai aineksia laitteen sisään, jos siinä ei ole kulhoa sisällä.

FI

YHTEENVETO OHJELMISTA JA TOIMINNOISTA

Ohjelma	Ajastinkäynnistys (esisäätö)	Haudutusvaihe (+ haudutusaika)	Lämpimänäpito*
Valkoinen riisi	KYLLÄ	KYLLÄ - 14 min	KYLLÄ
Pikariisi	KYLLÄ	KYLLÄ - 10 min	KYLLÄ
Ruskea riisi	KYLLÄ	KYLLÄ - mukana valmistusajassa	KYLLÄ
Ryynit	KYLLÄ	KYLLÄ - 10 min	KYLLÄ
Kaurapuura/puuro	KYLLÄ	KYLLÄ - 10 min	KYLLÄ
Hidas valmistus	EI	EI	KYLLÄ
Höyrytys	KYLLÄ	EI	KYLLÄ
Jälkiruoka	EI	EI	KYLLÄ

*Lämpimänä pito pysyy päällä jatkuvasti 24 tuntia, sitten järjestelmä katkaisee automaattisesti lämpimänäpito toiminnon ja palaa valmiuskäyttöön.

Ainesten mittaaminen - Kulhon maksimikapasiteetti

Riisikeitin määrittää itse täsmällisen valmistusajan riippuen kulhoon laitetun veden ja ainesten määrästä (katso valmistustaulukkoa alla aikojen opastusta varten).

- Asteikkomerkinnot kulhon sisällä on annettu litroina ja kuppeina, niitä käytetään veden mittaamiseen keitetessä riisiä – **Fig.11**.
- Laitteen mukana toimitettava muovikuppi ja taulukko antavat tarvittavan riisin määrän annoslukumäärän mukaan. 1 tasapintainen mittakuppi riisiä painaa noin 150 g.
- Jotta saat parhaan tuloksen, me suosittelemme, että käytät tavallista riisiä pikariisin sijaan, koska pikariisi antaa tuloksena liimaisempaa riisiä, joka voi tarttua pohjaan.
- Jos haluat valmistaa 1 kupin valkoista riisiä (2 pientä tai 1 iso annos), käytä 1 mittakuppi valkoista riisiä ja lisää sitten puolitoista kuppia vettä. Joillain riisityypeillä on normaalia, että hieman riisiä tarttuu pohjaan valmistettaessa vain 1 kuppi riisiä. Parhaan tuloksen saat, jos valmistat 2 kuppia riisiä tai enemmän.
- Veden + riisin maksimimäärä ei saa ylittää 10 kupin merkkiä kulhon sisällä – **Fig.11**.
- Taulukossa annetut valmistusajat ovat vain ohjeellisia sinun opastamistasi varten.
- Aseta laite tasaisella, vakaalla ja lämpöäkestävällä alustalla pois vesiroiskeiden ja muiden lämmönlähteiden ulottuvilta.
- Mittaa riisi käyttäen laitteen mukana toimitettua muovista mittakuppia ja huuhtelee riisi huolella kylmässä vedessä ennen valmistusta.
- Kaada riisi kulhoon. Täytä sitten kylmällä vedellä kulhoon merkittyyn "CUP" -merkkiin saakka (katso valmistusohjeita alla) – **Fig.12**.
- Sulje kansi.



Huomaa: Lisää aina riisi ensin, muuten vettä on liikaa.

VALMISTUSOPAS VALKOISTA RIISIÄ

Mittaa valkoisen riisin kuppeja	Valkoisen riisin paino	Veden taso kulhossa (+ riisi)	Annosta	Valmistusaika suunniteltu*
2	300 g	2 kupin merkki	3-4	42 min
4	600 g	4 kupin merkki	5-6	46 min
6	900 g	6 kupin merkki	8-10	50 min
8	1200 g	8 kupin merkki	13-14	55 min
10	1500 g	10 kupin merkki	16-18	60 min

* Riisikeitin määrittää keittoajan automaattisesti käytetyn riisin ja veden perusteella. Valmistuksen päätyttyä laite siirtyy lämpimänäpitotoimintoon.

Valmistus ajastuksen kanssa - "Esisäätökäyttö"

- Paina valikkopainiketta (Menu), kunnes valitun toiminnon merkkivalo syttyy, paina sitten esisäätöpainiketta (Preset), digitaalinäyttö näyttää esisäädön minimiajan valitulle ohjelmalle (esisäätöaika vilkkuu ilmoittaen, että esisäätöaikaa ei ole vielä valittu – Fig.13. Paina   säätääksesi valitun esisäätöajan ja paina sitten Start-painiketta (esisäädettyyn aikaan kuuluu valmistusaika, eli se lopettaa valmistuksen, kun esisäädetty aika on loppu) – Fig.14. Jokainen painallus nostaa tai laskee esisäädettyä aikaa yhdellä tunnilla.
- Valmistuksen jälkeen lämpimänäpito-merkkivalo (Keep Warm) syttyy ja kuulet äänimerkin useaan kertaan, ja digitaalinäytössä on "b" ilmoittaen, että on aika avata kansi ja tarjoilla ruokaa – Fig.15.
- Esisäädön maksimiaika on 15 tuntia. Kun 15 tuntia on kulunut, laite palaa palaa oletusaikana minimiaikaan.

Valmistus ajastinaloituksella on vain seuraaville ohjelmille: valkoinen riisi, pikariisi, ryynit, ruskea riisi, kaurapuuro, höyrytys.

FI

Valkoisen riisin valmistus

Haudutusaika on jäljellä olevan kosteuden absorboimiseksi.

- Ajastinkäynnistystä voi käyttää valkoisen riisin (White Rice) ohjelmalle, jossa ajastusaika vaihtelee välillä 2 - 15 tuntia.
- Paina valikkopainiketta laitteen ollessa valmiustilassa, kunnes valkoisen riisin merkkivalo (Menu) syttyy, digitaalinäytössä on "--" ja Start-merkkivalo vilkkuu – Fig.16. Paina Start-painiketta, keitin siirtyy valkoisen riisin (White rice) valmistukseen ja Start-merkkivalo palaa vilkkumatta ja digitaalinäytössä on "--" – Fig.17.
- Kun sisäkulho on kuiva, äänimerkki soi kaksi kertaa ja laite siirtyy haudutusvaiheeseen 14 minuutin ajaksi. Näyttö laskee alaspäin 14 minuuttia.
- Alaspäin laskennan jälkeen lämpimänäpito-merkkivalo (Keep Warm) syttyy, keitin päästä useita äänimerkkejä ja digitaalinäytössä on "b". Avaa kansi, hämmennä riisiä lusikalla jyvien erottelemiseksi. Valmistettua riisiä voi tarjoilla heti tai pitää läpimänä sopivan ajan – Fig.15.

Pikariisin valmistus

- Pikariisitoiminto (Quick Rice) on tarkoitettu vain valkosien riisin valmistusta varten. Ajastinkäynnistystä voi käyttää pikariisin ohjelmalle (Quick rice), jossa ajastusaika vaihtelee välillä 2 - 15 tuntia.
- Paina valikkopainiketta laitteen ollessa valmiustilassa, kunnes pikariisin merkkivalo (Quick Rice) syttyy, digitaalinäytössä on "--" ja Start-merkkivalo vilkkuu – Fig.18. Paina Start-painiketta, keitin siirtyy pikariisin valmistukseen ja Start-merkkivalo palaa vilkkumatta ja digitaalinäytössä on "--" – Fig.17.

- Kun sisäkulho on kuiva, äänimerkki soi useita kertoja ja digitaalinäytössä on "10" ilmottaen 10 minuutin alaspäinlaskennasta automaattihaudutusta varten.
- Alaspäinlaskennan jälkeen lämpimänäpitovalo (Keep Warm) syttyy, keitin päästä useita äänimerkkejä ja digitaalinäytössä on "b". Avaa kansi, hämmennä riisiä lusikalla jyvien erottelemiseksi. Valmistettua riisiä voi tarjoilla heti tai pitää läpimänä sopivan ajan – **Fig.15**.
- Tässä toiminnossa on lyhyempi valmistusaika ja se sopii kiireisille käyttäjille.
- Käytön jälkeen kondensaatioveden kerääjä on aina tyhjennettävä ja puhdistettava.

Ruskean riisin valmistus

Ruskean riisin valmistamiseksi

- Ajastinkäynnistystä voi käyttää ruskean riisin (Brown Rice) ohjelmalle, jossa ajastusaika vaihtelee välillä 2 - 15 tuntia.
- Paina valikkopainiketta laitteen ollessa valmiustilassa, kunnes ruskean riisin (Brown Rice) merkkivalo syttyy, digitaalinäytössä on "90" ja Start-merkkivalo vilkkuu – **Fig.19**. Paina Start-painiketta, keitin siirtyy ruskean riisin valmistukseen ja Start-merkkivalo palaa vilkkumatta ja digitaalinäytössä on "-" – **Fig.17**.
- Valmistuksessa on haudutusvaihe. Haudutus on jo mukana 90 minuutin valmistusajassa.
- Haudutuksen jälkeen lämpimänäpitovalo (Keep Warm) syttyy, keitin päästä useita äänimerkkejä ja digitaalinäytössä on "b". Keitin siirtyy lämpimänäpitovaiheeseen – **Fig.15**.

Joitain suosituksia parhaan riisinvalmistustuloksen saamiseksi

- Mittaa riisi ja huuhtelee runsaasti juoksevan veden alla siivilässä pitkän aikaa (paitsi risottoriisiä, jota ei tarvitse huuhdella). Laita riisi sitten kulhoon yhdessä vastaavan vesimäärän kanssa.
- Varmista, että riisi on jakaantunut hyvin kulhon pinnalle, jotta valmistus sujuu tasaisesti.
- Lisää suolaa, jos oma makusi kaipaa sitä.
- Veden voi korvata lihaliemellä. Jos käytät lihalientä, on vaara, että riisi ruskistuu hieman pohjalta.
- Älä avaa kantta valmistuksen aikana, sillä höyryä pääsee ulos ja se vaikuttaa valmistusaikaan ja makuun.

Ryynien valmistus

Ryynien valmistamiseksi

- Ajastinkäynnistystä voi käyttää ryyniohjelmalle (Grains), jossa ajastusaika vaihtelee välillä 2 - 15 tuntia.
- Paina valikkopainiketta laitteen ollessa valmiustilassa, kunnes ryynien (Grains) merkkivalo syttyy, digitaalinäytössä on "--" ja Start-merkkivalo vilkkuu – **Fig.20**. Paina Start-painiketta, keitin siirtyy ryynien valmistukseen, Start-merkkivalo palaa vilkkumatta ja digitaalinäytössä on "-" – **Fig.17**.
- Kun sisäkulho on kuiva, äänimerkki soi kaksi kertaa, digitaalinäytössä on "10", joka ilmoittaa automaattihaudutuksen 10 minuutin ajasta.
- Haudutuksen jälkeen lämpimänäpito-merkkivalo (Keep Warm) syttyy, keitin päästä useita äänimerkkejä ja digitaalinäytössä on "b". Avaa kansi, hämmennä ryynejä lusikalla ryynien erottelemiseksi. Valmistettuja ryynejä voi tarjoilla heti tai pitää lämpimänä sopivan ajan – **Fig.15**.

Tämä ohjelma on sopiva couscousia, bulgurvehnää, polentaa, quinoa, hirssiä varten...

10 kupin mallissa ei saa ylittää 5 kuppia ryynejä.

Laita kaksi kertaa niin paljon vettä kuin ryynejä.

FI

Kaurapuuron/puuron valmistus

- Ajastinkäynnistystä voi käyttää kaurapuuro/puuro-ohjelmalle (Oatmeal/Porridge), jossa ajastusaika vaihtelee välillä 2 - 15 tuntia.
- Paina valikkopainiketta laitteen ollessa valmiustilassa, kunnes kaurapuuron/puuron valmistuksen merkkivalo (Oatmeal/Porridge) syttyy, digitaalinäytössä on "--" ja Start-merkkivalo vilkkuu – **Fig.21**. Paina Start-painiketta, keitin siirtyy kaurapuuron/puuron valmistuskäyttöön, Start-merkkivalo palaa ja digitaalinäytössä on "-" – **Fig.17**.
- Kun vesi keittimessä alkaa kiehua, äänimerkki kuuluu kaksi kertaa ja digitaalinäytössä on "10", merkinä siitä, että keitin alkaa laskea alaspäin 10 minuutista.
- Alaspäinlaskennan jälkeen lämpimänäpito-merkkivalo (Keep Warm) syttyy, keitin antaa useita äänimerkkejä ja digitaalinäytössä on "b". Keitin siirtyy lämpimänäpito-tilaan (Keep Warm) – **Fig.15**.

Hidas valmistus

Hidasta valmistusta varten

- Ajastinkäynnistystä ei voi käyttää hitaan valmistuksen (Slow Cooking) käytölle.
- Paina valikkopainiketta laitteen ollessa valmiustilassa, kunnes hitaan valmistuksen merkkivalo (Slow Cooking) syttyy ja digitaalinäytössä on "60" ja Start-merkkivalo vilkkuu – **Fig.22**. Aikaa voi säätää 60 minuutista 9 tuntiin tunnin välein.
- Paina Start-painiketta, Start-merkkivalo palaa ja digitaalinäyttö laskee aikaa alaspäin tunnin välein ja 60 minuutista 1 minuutin välein – **Fig.17**.
- Alaspäinlaskennan lopussa lämpimänäpito-merkkivalo (Keep Warm) syttyy, keitin antaa useita äänimerkkejä ja digitaalinäytössä on "b". Keitin menee lämpimänäpitoikäyttöön – **Fig.15**.

Höyrytys (vihanneksille, kalalle ja hedelmille)

- Veden maksimimäärä kulhossa ei saa ylittää CUP-maksimimerkkiä, joka on ilmoitettu "CUP"-merkillä kulhossa – **Fig.11**.
Tämän merkin ylittäminen voi aiheuttaa veden ylivuotamista valmistuksen aikana.
- Veden tason tulee olla höyrykorin alapuolella.
- Veden lisääminen 2 kupin merkkiin saakka riittää noin 30 minuutin höyryvalmistusta varten.
- Lisää ainekset höyrykoriin.
- Laita höyrykori kulhoon – **Fig.23**.
- Ajastetty käynnistystoiminto on käytettävissä höyryohjelmalle (Steam), ajastuksen aikaväli on 2 - 15 tuntia.
- Paina valikkopainiketta, kun laite on valmiustilassa, kunnes digitaalinäyttö näyttää oletusvalmistusaikana "1" ja Start-merkkivalo vilkkuu – **Fig.24**.
Paina Start-painiketta siirtyäksesi höyryvalmistukseen (Steam), jos ajastettu käynnistys ei ole tarpeen, digitaalinäyttö näyttää "1" – **Fig.25**.
- Jos ajastettu käynnistys on valittu, digitaalinäyttö laskee alaspäin ajastuksen valmistusaikaan.
- Valmistuksen jälkeen äänimerkki soi useita kertoja, lämpimänäpito-merkkivalo (Keep Warm) syttyy ja digitaalinäytössä on "b" merkinä riisikeittimen siirtymisestä lämpimänäpitoikäyttöön (Keep Warm) – **Fig.15**. Avaa kansi, valmis ruoka voidaan tarjoilla heti tai sitä voi pitää lämpimänä lyhyen aikaa – **Fig.15**.

Jälkiruoan valmistus

Jälkiruoan valmistaminen

- Ajastinkäynnistystä ei voi käyttää jälkiruokatoiminnolle (Dessert).
- Jälkiruokatoiminto sopii kakkujen valmistukseen.

- Paina valikkopainiketta, kun laite on valmiustilassa, kunnes jälkiruokamerkkivalo syttyy, digitaalinäytössä on "--" ja Start-merkkivalo vilkkuu – **Fig.26**.

Paina Start-painiketta, keitin siirtyy jälkiruokakäyttöön (Dessert), Start-merkkivalo jää palamaan ja digitaalinäytössä on "-" – **Fig.17**.

- Jälkiruokatoiminto jatkuu 45 minuuttia, sitten lämpimänäpito toiminto käynnistyy. Valmistuksen jälkeen äänimerkki kuuluu useita kertoja, lämpimänäpito merkkivalo syttyy ja digitaalinäytössä on "b" merkinä keittimen siirtymisestä lämpimänäpito tilaan – **Fig.15**.

Automaattinen lämpimänäpito toiminto

Riisikeittimen saa käynnistää lämpimänäpito toiminnossa lämpimälle ruoalle.

- Ajan esisäätö ei ole käytettävissä lämpimänäpito/peruutustoiminnolle (Keep Warm/Cancel).
- Paina lämpimänäpito/peruutus painiketta (Keep Warm/Cancel), kun laite on valmiustilassa, lämpimänäpito/peruutusmerkkivalo syttyy ja digitaalinäytössä on "b" ilmoituksena laitteen keittimen siirtymisestä lämpimänäpito toimintoon – **Fig.15**.
- Paina lämpimänäpito/peruutus painiketta (Keep Warm/Cancel), kun ohjelma on säädetty tai toiminto on käynnissä peruuttaaksesi sen ja palataksesi valmiustilaan.
- Jos keitin pysyy lämpimänäpito toiminnossa (Keep Warm) keskeytymättä 24 tuntia, järjestelmä katkaisee automaattisesti lämpimänäpito toiminnon ja palaa valmiustilaan.
- Lämpimänäpito toimintoa ei saa käyttää ruoan lämmittämiseen.

FI

Sähkökatkon varmistus (lyhyt muistitoiminto)

- Keittimessä on lyhyt muistitoiminto siltä varalta virta katkeaa 3 - 10 sekunniksi. Kun virta palaa, keitin palaa automaattisesti alkuperäiseen asetukseen ja valmistus jatkuu normaalisti. Jos sattuu pitkä sähkökatkos, keitin palaa valmiuskäyttöön.

Valmistuksen loputtua

Ulos tuleva höyry on hyvin kuumaa.

Älä koskaan ota kulhoa pois valmistuksen jälkeen

Ilman suojaavia uunikäsineitä.

- Avaa kansi.
- Tarjoile ruokaa käyttäen laitteen mukana toimitettavaa muovilusikkaa ja sulje kansi.
- Kulhoon jäävä ruoka pysyy lämpimänä myöhempää tarjoilua varten.
- Älä unohda painaa peruutus painiketta lämpimänäpidon jälkeen ja irrottaa laitetta sähköverkosta.

Puhdistus ja huolto

Kondensaatioveden kerääjä _____

- Kondensaatioveden kerääjä tulee tyhjentää ja puhdistaa aina käytön jälkeen.
- Kerääjän irrottamiseksi muovipääillyksen molempia puolia painettava ja se on irrotettava – **Fig.27**.

- Kondensaatioveden kerääjän laittamiseksi takaisin se on painettava tiukasti paikoilleen.

Kulho, kondensaatioveden kerääjä, mikropaineventtiili ja höyrykori

- Sisäkannen irrottamisen jälkeen on painettava mikropaineventtiili kannen alapuolelta sormella ylös kannen aukon läpi – **Fig.4**, kierrä mikropaineventtiiliä lukituksen avaussuuntaan, kunnes ylempi kolmio on samassa linjassa avoimen lukon kanssa ja erota lopuksi mikropaineventtiilin ylä- ja alaosa – **Fig.5**.
- Irrota laite sähköverkosta ennen kulhon poistamista. Käytä kuumaa vettä, astianpesuainetta ja sientä puhdistamaan kulho – **Fig.28**, kondensaatioveden kerääjä – **Fig.28**, mikropaineventtiili – **Fig.29**, irrotettava sisäkansi – **Fig.30**, lusikka ja kuppi. Hankausjauhetta ja metallisieniä ei suositella.
- Jos ruokaa on tarttunut pohjaan, anna kulhon liota jonkin aikaa ennen sen pesemistä.
- Tarttumista hylkivä kulho, höyrykori, kondensaatioveden kerääjä, lusikka ja kuppi voidaan pestä astianpesukoneessa.
- Kuivaa kulho huolella.
- Älä upota laitetta veteen tai kaada kuumaa vettä laitteen rungon sisään.

Kulhon hoito

- Jotta kulhon tarttumista hylkivä pinnoite ei vahingoitu, siinä ei saa leikata ruokaa.
- Käytä muovista tai puusta eikä metallista valmistettuja välineitä sekoittaessasi ja tarjoillessasi ruokaa, jotta kulhon pinnoite ei vahingoitu.
- Älä kaada etikkaa kulhoon, jotta vältät korroosioriskin.
- Kulhon pinnan väri voi muuttua ensimmäisen käytön yhteydessä tai pitkän käyttöjakson jälkeen. Värimuutos johtuu höyryn ja veden vaikutuksesta, se ei vaikuta riisikeittimen käyttöön eikä se ole terveydelle vaarallista. Laitteen käyttöä voi jatkaa turvallisesti.
- Älä käytä sauvasekoitinta sekoittamaan ruokia suoraan tarttumista hylkivässä kulhossa.

Laitteen muiden osien puhdistus ja hoito

Anna tuotteen jäähtyä.

- Irrota laite sähköverkosta ennen puhdistusta.
- Puhdista riisikeittimen ulkopuoli, kannen sisäpuoli – **Fig.30** ja sähköjohto kostealla kankaalla ja pyyhi kuivaksi. Älä käytä hankaavia tuotteita.
- Älä käytä vettä puhdistamaan tuotteen rungon sisustaa, sillä se voi vahingoittaa lämpöanturia.

Tekninen viankorjausopas

Käyttöhäiriön kuvaus	Syyt	Ratkaisu
LED-näytössä on "E0".	Yläosan pääanturin piiri on katkennut tai piirissä on oikosulku.	Lähtä laite valtuutettuun huoltokeskukseen korjattavaksi.
LED-näytössä on "E1".	<ul style="list-style-type: none"> Ei kulhoa. Alaosan pääanturin piiri on katkennut tai piirissä on oikosulku. 	<ul style="list-style-type: none"> Laita kulho laitteeseen. Kytke laite sitten sähköverkkoon. Jos näytössä on edelleen E1, kun kulho on paikoillaan, laite on toimitettava valtuutettuun huoltokeskukseen.
Merkkivalot eivät pala eikä laite lämpiä.	Riisikeitintä ei ole kytketty sähköverkkoon.	Tarkasta, että sähköjohto on kunnolla kiinni ja laite on kytketty sähköverkkoon.
Merkkivalo ei pala ja laite lämpiä.	Ongelma merkkivalon sisäisissä liittämissä tai merkkivalo on vahingoittunut.	Lähtä laite valtuutettuun huoltokeskukseen korjattavaksi.
Höyryvuoto käytön aikana.	Kansi suljettu huonosti.	Avaa ja sulje kansi uudestaan.
	Mikropaineventiili ei ole oikeassa asennossa tai asennettu väärin.	Lopeta valmistus (irrota tuote verkosta) ja tarkasta, onko ventiili asennettu kunnolla (2 osaa lukittu yhteen) ja oikeassa asennossa.
	Kansi tai mikropaineventiilin tiiviste vahingoittunut.	Lähtä laite valtuutettuun huoltokeskukseen korjattavaksi.
Riisi ei ole täysin kypsää tai se on ylikypsää.	Vettä on liikaa tai liian vähän suhteessa riisin määrään.	Katso veden määrä ohjeista.
Automaattinen lämpimänäpito toiminto ei toimi (laite pysyy valmistusohjelmassa tai ei lämmitä lämpimänäpito toiminnossa).		Lähtä laite valtuutettuun huoltokeskukseen korjattavaksi.
Vettä vuotaa työtasolle.	Kondensaatioveden kerääjä puuttuu tai kondensaatioveden kerääjä vuotaa yli.	Tyhjennä kondensaatioveden kerääjä aina käytön jälkeen ja tarkasta, että se on kunnolla paikoillaan.

FI

Huomaa: jos sisäkulho on vahingoittunut, älä käytä sitä enää ja hanki uusi valtuutetusta huoltokeskuksesta.

Beskrivelse

1. Dampkurv
2. Merker for vannivå
3. Avtakbar bolle med teflonbelegg
4. Risskje
5. Knapp for åpning av lokket
6. Lokk
7. Avtakbart indre lokk
8. Målebeger
9. Mikrotrykkventil
10. Kondensoppsamler
11. Håndtak
12. Støtte for skje
13. Strømledning
14. Varmeplate
15. Sensor
16. Kontrollpanel
 - a. "HOLDE VARM/AVBRYT"-knapp (grønn)
 - b. "FORHÅNDSINNSTILLING"-knapp
 - c. Knapp for å redusere tiden
 - d. Indikatorlys for koking av hvit ris
 - e. Indikatorlys for koking av hurtigris
 - f. Indikatorlys for koking av brun ris
 - g. Indikatorlys for koking av korn
 - h. Skjerm som viser ferdigtid for koking (bare for utvalgte program) eller indikasjon av at "Holde varm"-funksjonen er påslått (bare for utvalgte program)
 - i. Indikatorlys for koking av havregryn/grøt
 - j. Indikatorlys for sakte koking
 - k. Indikatorlys for dampkoking
 - l. Indikatorlys for koking av dessert
 - m. "START"-knapp
 - n. "MENY"-knapp
 - o. Knapp for å øke tiden

Før første gangs bruk

Pakk ut apparatet

- Ta apparatet ut av pakningen, pakk ut alt tilbehøret og dokumentene som følger med.
- Åpne lokket ved å trykke på knappen for åpning som befinner seg på lokket – **Fig.1**.
- Installer støtten for skjeen: stikk kroken i plast på støtten inn i hullet på basen av apparatet og skyv den nedover – **Fig.2**.

Les bruksanvisningen, og følg anvisningene nøye.

Rengjør apparatet

- Ta av bollen med teflonbelegg, det avtakbare indre lokket og mikrotrykkventilen. For å fjerne det indre lokket, trykker du på utløserklemmen på høyre side for å løsne lokket – **Fig.3**.
- Etter at du har fjernet lokket, trykkes mikrotrykkventilen opp ved hjelp av fingeren gjennom hullet på undersiden av lokket – **Fig.4**. For å ta fra hverandre alle delene av mikrotrykkventilen, roteres den i retningen for åpning ved å vri slik at det øvre triangelet er på linje med symbolet av en åpen hengelås. Den kan så tas fra hverandre – **Fig.5** og **Fig.6**.
- Rengjør bollen, det avtakbare indre lokket, mikrotrykkventilen og alle tilbehørsdelene med en svamp og oppvaskmiddel. Tørk utsiden av apparatet og metalldelene på lokket med en fuktig klut.
- Tørk grundig.
- Bollen med teflonbelegg, dampkurven, kondensoppsamleren, skjeen og begeret kan vaskes i oppvaskmaskin.
- Sett mikrotrykkventilen tilbake på plass. For å låse sammen de to delene, settes det øvre triangelet på linje med symbolet av den åpne hengelåsen, roter i lukkeretningen til det øvre triangelet er på linje med

den lukkede hengelåsen. Dette indikerer at de to delene er låst sammen. Mikrotrykkventilen presses så ned på lokket – **Fig.7**. Sørg for at triangelet på mikrotrykkventilen er på linje med triangelet på lokket, og trykk bestemt ned til den er helt på plass.

- Sett det indre avtakbare lokket tilbake på plass ved å plassere tappen på venstre side i sporet på lokket. Så trykkes lokket på plass til tappen på den høyre siden klikker på plass. Den bredeste siden av forseglingen må være øverst når lokket settes på plass.

Bruk av riskokeren

Gjelder for alle 8 funksjoner

- Tørk utsiden av bollen grundig (spesielt bunnen). Vær sikker på at det ikke er noen rester av skitt eller væske under bollen og på varmeplaten – **Fig.8**.
- Plasser bollen på apparatet – **Fig.9**, og kontroller at den er riktig plassert.
- Vri bollen lett i begge retninger slik at du er sikker på at det er god kontakt mellom bollen og varmeplaten.
- Kontroller at kondensopsamlere er på plass. Hvis ikke, installeres denne ved å skyve den bestemt inn i sporet – **Fig.10**.
- Lukk lokket.
- Koble strømledningen til bunnen av apparatet. Kontroller at den er godt trykket inn.
- Koble til apparatet. Apparatet vil lage en lang pipelyd, den digitale skjermen og indikatorlysene blinker en gang og deretter vil den digitale skjermen vise "--". Dette betyr at riskokeren er i hvilemodus og er klar for valg av funksjon.
- Apparatet må ikke skrus på før alle trinnene ovenfor er fullført.
- Apparatet må ikke slås på med en tom kokebolle.
- Ikke rør varmeplaten når apparatet er koblet til.

Aldri plasser hendene på mikrotrykkventilen under koking da det er fare for brannskader.

Hvis du ønsker å endre det programmet du har valgt for kokingen, trykker du på "AVBRYT" og velger det programmet du ønsker.

Apparatet skal bare brukes med den indre bollen som følger med.

Ikke hell vann eller ingredienser i apparatet uten at bollen er på plass i apparatet.

NO

OPPSUMMERING AV PROGRAMMER OG FUNKSJONER

Program	Forsinket start (Forhåndsinnstilling)	Trekkefase (+ trekketid)	Holde varm*
Hvit ris	JA	JA - 14 min	JA
Hurtigris	JA	JA - 10 min	JA
Brun ris	JA	JA - inkludert i koketiden	JA
Korn	JA	JA - 10 min	JA
Havregryn/grøt	JA	JA - 10 min	JA
Sakte koking	NEI	NEI	JA
Damping	JA	NEI	JA
Dessert	NEI	NEI	JA

* "Holde varm" vil være på sammenhengende i 24 timer før apparatet automatisk avbryter "Holde varm"-funksjonen og går tilbake til hvilemodus.

Oppmåling av ingredienser - Maks kapasitet i bollen

Riskokeren vil selv bestemme den nøyaktige koketiden avhengig av mengde vann og ingredienser i bollen (se koketabellen under for en veiledning av tider).

- De graderte merkene på innsiden av bollen er i liter og kopper. Disse brukes for å måle opp vann ved koking av ris – **Fig.11**.
- Plastbegeret som leveres med apparatet er for oppmåling av ris, og tabellen viser en oversikt over hvor mye ris som trengs per porsjon. 1 nivå ris i målebegeret tilsvarer rundt 150 g.
- For de beste resultatene, anbefaler vi at du bruker vanlig ris i stedet for ristyper som er lettkokte da disse er mer klebrige og kan klistre seg i bunnen.
- For 1 kopp hvit ris (2 små eller 1 stor porsjon) brukes 1 målebeger hvit ris og 1 1/2 målebeger vann. Med noen typer ris er det normalt at litt ris klistrer seg til bunnen ved koking av 1 kopp ris. For best resultater anbefaler vi at du koker 2 eller flere kopper ris.
- Maksimal mengde vann + ris må ikke overskride merket for 10 kopper avmerket på innsiden av bollen – **Fig.11**.
- Koketidene som er gitt i tabellen er omtrentlige og veiledende.
- Apparatet plasseres på en flat, stabil og varmebestandig arbeidsbenk vekk fra vannsprut og andre varmekilder.
- Mål opp ris ved hjelp av målebegeret i plast som leveres med apparatet. Skyll risen i kaldt vann før koking.
- Hell risen i bollen. Deretter fylles det på med kaldt vann tilsvarende "KOPP"-merket på innsiden av bollen (Se koketabellen under) – **Fig.12**.
- Lukk lokket.

Merknad: Risen skal alltid tilsettes først, ellers vil du ha for mye vann.

KOKEVEILEDNING FOR HVIT RIS - 10 KOPPER MODELL

Målebeger hvit ris	Vekt hvit ris	Vannnivå i bollen (+ ris)	Porsjoner	Omtrentlig koketid*
2	300 g	2 kopps merket	3-4	42 min
4	600 g	4 kopps merket	5-6	46 min
6	900 g	6 kopps merket	8-10	50 min
8	1200 g	8 kopps merket	13-14	55 min
10	1500 g	10 kopps merket	16-18	60 min

* Riskokeren beregner koketiden automatisk avhengig av mengden ris og vann i bollen. Kokefasen blir automatisk etterfulgt av en trekkefase.

Koking med forsinket start - "Forhåndsinnstilt" funksjon

- Det er mulig med forsinket starttidspunkt for koking.
- Trykk på "Meny"-knappen til indikatorlyset for ønsket funksjon slås på. Trykk deretter på "Forhåndsinnstilling"-knappen, og den digitale skjermen viser minimum forhåndsinnstilt tid for valgt program (den forhåndsinnstilte tiden blinker og betyr at forhåndsinnstilt tid ikke er valgt ennå) – **Fig.13**. Trykk på ◀▶ for å stille inn ønsket forhåndsinnstilt tid, og deretter trykk på "Start"-knappen (forhåndsinnstilt tid inkluderer koketid, m.a.o. kokingen avsluttes når den forhåndsinnstilte tiden er over) – **Fig.14**. Hvert trykk øker eller senker den forhåndsinnstilte tiden med en time.
- Etter koking slår indikatorlyset for "Holde varm"-funksjonen seg på, piper flere ganger og den digitale skjermen viser "b", noe som betyr at det er tid for å åpne lokket og servere maten – **Fig.15**.
- Maksimal forhåndsinnstilt tid er 15 timer. Etter at du har trykket deg frem til 15 timer, vil den gå tilbake til minimum forhåndsinnstilt tid.

Koking med forsinket start kan bare brukes med følgende programmer: Hvit ris, Hurtigris, Korn, Brun ris, Havregryn/grøt og Damping

NO

Koking av hvit ris

Trekkefasen absorberer gjenværende fuktighet.

- Funksjonen forsinket start kan brukes med programmet for "Hvit ris" og med en forsinket tid på mellom 2 til 15 timer.
- Trykk på "meny"-knappen i hvilemodus til indikatorlyset for "Hvit ris" slås på, den digitale skjermen viser "--" og indikatorlyset for "Start" blinker – **Fig.16**. Trykk på "Start"-knappen. Kokeren starter kokemodusen for "Hvit ris", indikatorlyset for "Start" lyser og den digitale skjermen viser "-" – **Fig.17**.
- Når den indre bollen er tørr, vil alarmen pipe to ganger og starte trekkefasen i 14 minutter. Skjermen viser en nedtelling av de 14 minuttene.
- Etter nedtellingen er fullført, slås indikatorlyset for "Holde varm" på, kokeren piper flere ganger og den digitale skjermen viser "b". Åpne lokket og rør i risen med risskjeen for å separere kornene. Den kokte risen kan serveres umiddelbart eller holdes varm for en korrekt tid – **Fig.15**.

Koking av hurtigris

- Funksjonen for "Hurtigris" gjelder bare for koking av hvit ris. Funksjonen forsinket start kan brukes med programmet for "Hurtigris" og med en forsinket tid på mellom 2 til 15 timer.
- Trykk på "meny"-knappen i hvilemodus til indikatorlyset for "Hurtigris" slås på, den digitale skjermen viser "--" og indikatorlyset for "Start" blinker – **Fig.18**. Trykk på "Start"-

knappen. Kokeren starter kokemodusen for "Hurtigris", indikatorlyset for "Start" lyser og den digitale skjermen viser "-" – **Fig.17**.

- Når den indre bollen er tørr, vil alarmen pipe flere ganger og den digitale skjermen viser "10", noe som indikerer en nedtelling av en trekkefase på 10 minutter.
- Etter at nedtellingen er fullført, slås indikatorlyset for "Holde varm" på, kokeren piper flere ganger og den digitale skjermen viser "b". Åpne lokket og rør i risen med risskjeen for å unngå klumper. Den kokte risen kan serveres umiddelbart eller holdes varm for en korrekt tid – **Fig.15**.
- Denne funksjonen har en kortere koketid og passer for brukere som har liten tid.
- Tøm og rengjør kondensopsamlere etter hver bruk.

Koking av brun ris

Hvordan koke brun ris

- Funksjonen forsinket start kan brukes med programmet for "Brun ris" og med en forsinket tid på mellom 2 til 15 timer.
- Trykk på "meny"-knappen i hvilemodus til indikatorlyset for "Brun ris" slås på, den digitale skjermen viser "--" og indikatorlyset for "Start" blinker – **Fig.19**. Trykk på "Start"-knappen. Kokeren starter kokemodusen for "Brun ris", indikatorlyset for "Start" lyser og den digitale skjermen viser nedtellingstiden – **Fig.17**.
- Det er også en trekkefase. Trekketiden er allerede inkludert i koketiden på 90 minutter.
- Etter trekking, slås indikatorlyset for "Holde varm" på, alarmen piper flere ganger og den digitale skjermen viser "b". Kokeren går inn i "Holde varm"-fasen – **Fig.15**.

Noen råd og tips for gode resultater ved koking av ris

- Mål opp ris og skylld den grundig og lenge i et dørslag under rennende vann (unntatt for risottoris som ikke skal skylles). Hell deretter risen i bollen sammen med tilsvarende mengde vann.
- Sørg for at risen er jevnt fordelt i hele bollen slik at du oppnår en jevn koking.
- Tilsett salt etter personlig smak.
- Vannet kan erstattes av kraft. Hvis du bruker kraft, kan risen på bunnen brunes litt.
- Ikke åpne lokket under kokingen ettersom damp vil slippe ut. Dette vil påvirke koketiden og smaken.

Koking av korn

Hvordan koke korn

- Funksjonen forsinket start kan brukes med programmet for "Korn" og med en forsinket tid på mellom 2 til 15 timer.
- Trykk på "meny"-knappen i hvilemodus til indikatorlyset for "Korn" slås på, den digitale skjermen viser "--" og indikatorlyset for "Start" blinker – **Fig.20**. Trykk på "Start"-knappen. Kokeren starter kokemodusen for "Korn", indikatorlyset for "Start" lyser og den digitale skjermen viser "-" – **Fig.17**.
- Når den indre bollen er tørr, vil alarmer pipe to ganger og den digitale skjermen viser "10", noe som indikerer en nedtelling av en trekkefase på 10 minutter.
- Etter trekking, slås indikatorlyset for "Holde varm" på, kokeren piper flere ganger og den digitale skjermen viser "b". Åpne lokket og rør i risen med en sleiv for å separere kornene. De kokte kornene kan serveres umiddelbart eller holdes varme for en korrekt tid – **Fig.15**.

Dette programmet er egnet for couscous, bulgur hvete, polenta, quinoa, hirse osv.

For modellen 10 kopper, må det ikke brukes mer enn 5 kopper korn. Hell på dobbel mengde vann i forhold til korn.

NO

Koking av havregryn/grøt

Slik koker du havregryn eller grøt

- Funksjonen forhåndsinnstilt tid kan brukes med programmet for "Havregryn/grøt" og med en forsinket tid på mellom 2 til 15 timer.
- Trykk på "meny"-knappen i hvilemodus til indikatorlyset for koking av "Havregryn/grøt" slås på, den digitale skjermen viser "--" og indikatorlyset for "Start" blinker – **Fig.21**. Trykk på "Start"-knappen. Kokeren starter kokemodusen for "Havregryn/grøt", indikatorlyset for "Start" lyser og den digitale skjermen viser "-" – **Fig.17**.
- Når vannet i den indre bollen når koketemperatur, vil alarmer pipe to ganger og den digitale skjermen viser "10", noe som betyr at kokeren starter en nedtelling av 10 minutter.
- På slutten av nedtellingen, slås indikatorlyset for "Holde varm" på, kokeren piper flere ganger og den digitale skjermen viser "b". Kokeren går inn i "Holde varm"-fasen – **Fig.15**.

Sakte koking

Hvordan koke sakte

- Forsinket starttid er ikke tilgjengelig for funksjonen "Sakte koking".
- Trykk på "meny"-knappen i hvilemodus til indikatorlyset for "Sakte koking" slås på, den digitale skjermen viser "--" og indikatorlyset for "Start" blinker – **Fig.22**. Tiden kan justeres fra 60 minutter til 9 timer i timeintervaller.
- Trykk på "Start"-knappen, indikatorlyset for "Start" lyser og den digitale skjermen viser en nedtelling av tiden i timeintervaller, og ved 60 minutter i minuttintervaller – **Fig.17**.
- På slutten av nedtellingen, slås indikatorlyset for "Holde varm" på, kokeren piper flere ganger og den digitale skjermen viser "b". Kokeren går inn i "Holde varm"-fasen – **Fig.15**.

Damping (for grønnsaker, fisk og frukt)

- Maksimal mengde vann i bollen må ikke overskride merket for maksimalt antall KOPPER avmerket på innsiden av bollen – **Fig.11**. Hvis dette nivået overskrides, vil det flomme over ved bruk.
- Vannivået bør være lavere enn dampkurven.
- Påfylling av vann opptil merket for 2 kopper, er tilstrekkelig for 30 minutters koking på damp-programmet.
- Tilsett ingrediensene i dampkurven.
- Plasser dampkurven i bollen – **Fig.23**.
- Funksjonen forsinket start kan brukes med programmet for "Damping" og med en forsinket tid på mellom 2 til 15 timer.
- Trykk på "meny"-knappen i hvilemodus til indikatorlyset for "Damping" slås på, den digitale skjermen viser standard koketid "1" og indikatorlyset for "Start" blinker – **Fig.24**. Trykk på "Start"-knappen for å starte kokemodusen "Damping" hvis du ikke trenger en forsinket start. Den digitale skjermen vil vise "1" – **Fig.25**.
- Hvis en forsinket start er valgt, vil den digitale skjermen vise en nedtelling av den forhåndsinnstilte tiden i kokemodus.
- Etter koking, piper alarmen flere ganger, indikatorlyset for "Holde varm"-funksjonen slås på og den digitale skjermen viser "b", noe som betyr at riskokeren går inn i "Holde varm"-modus – **Fig.15**. Åpne lokket. Den kokte tilberedningen kan serveres umiddelbart eller holdes varm i en kortere tid – **Fig.15**.

Koking av dessert

Hvordan koke dessert

- Forsinket starttid er ikke tilgjengelig for funksjonen "Dessert".
- Funksjonen for dessert er egnet for tilberedning av sukkerbrød.

- Trykk på "meny"-knappen i hvilemodus til indikatorlyset for "Dessert" slås på, den digitale skjermen viser "--" og indikatorlyset for "Start" blinker – **Fig.26**. Trykk på "Start"-knappen. Kokeren starter kokemodusen for "Dessert", indikatorlyset for "Start" lyser og den digitale skjermen viser "-" – **Fig.17**.
- Funksjonen for dessert er på sammenhengende i 45 minutter. Deretter slås "Holde varm"-funksjonen seg på. Etter koking, piper alarmen flere ganger, indikatorlyset for "Holde varm"-funksjonen slås på og den digitale skjermen viser "b", noe som betyr at riskokeren går inn i "Holde varm"-modus – **Fig.15**.

Automatisk "Holde varm"-funksjon

Start av riskokeren i "Holde varm"-modus, skal bare brukes med varm mat.

- Forhåndsinnstilling av tid er ikke tilgjengelig for funksjonen "Holde varm/Avbryt".
- Trykk på "Holde varm/Avbryt"-knappen i hvilemodus, indikatorlyset for "Holde varm/Avbryt" slås på og den digitale skjermen viser "b", noe som betyr at kokeren går inn i "Holde varm"-modus – **Fig.15**.
- Trykk på "Holde varm/Avbryt"-knappen mens et program er innstilt eller mens et program er i gang for å avbryte det, og gå tilbake til hvilemodus.
- Hvis kokeren bruker funksjonen "Holde varm" sammenhengende i 24 timer, vil systemet automatisk avbryte "Holde varm"-funksjonen og går tilbake til hvilemodus.
- "Holde varm"-funksjonen skal ikke brukes til å varme opp mat.

NO

Lagring ved strømstans (korttidsminnefunksjon)

- Kokeren har en "korttidsminne"-funksjon for tilfeller av strømstans i 3 til 10 sekunder. Når strømmen kommer tilbake, vil kokeren automatisk gå tilbake til den opprinnelige innstillingen og fortsette kokingen. Hvis strømbrytet er langvarig, vil kokeren gå tilbake til hvilemodus.

Ved fullført koking

Damp som kommer ut av apparatet er meget varm.

Aldri fjern bollen etter koking uten beskyttende gryteovtter.

- Åpne lokket.
- Ta ut maten ved hjelp av plastskjeen som leveres med apparatet, og lukk lokket.
- Mat som er igjen i bollen, holdes varm for senere servering.
- Ikke glem å trykke på "AVBRYT"-knappen etter "Holde varm" og koble fra apparatet.

Rengjøring og vedlikehold

Kondensoppsamler

- Kondensoppsamleren skal tømmes og rengjøres etter hver bruk.
- For å fjerne oppsamleren, trykker du på hver side av plastlokket og trekker ut – **Fig.27**.
- Sett kondensoppsamleren tilbake ved å dytte den bestemt på plass.

Bolle, kondensoppsamler, mikrotrykkventil og dampkurv

- Etter at du har fjernet lokket, trykkes mikrotrykkventilen opp ved hjelp av fingeren gjennom hullet på undersiden av lokket – **Fig.4**, roter mikrotrykkventilen i åpnet retning til det øvre triangelet er på linje med den åpne hengelåsen. Til slutt tar du fra hverandre de øvre og nedre delene av mikrotrykkventilen – **Fig.5**.
- Koble fra apparatet før du tar av bollen. Bruk varmt vann, oppvaskmiddel og en svamp for å rengjøre bollen – **Fig.28**, kondensoppsamleren – **Fig.28**, mikrotrykkventilen – **Fig.29**, det avtakbare indre lokket – **Fig.30**, skjeen og begeret. Skurepulver og metallsvamper anbefales ikke.
- Hvis mat sitter fast på bunnen, setter du bollen i bløt en stund før du vasker den.
- Bollen med teflonbelegg, dampkurven, kondensoppsamleren, skjeen og begeret kan vaskes i oppvaskmaskin.
- Tørk bollen grundig.
- Apparatet må ikke senkes ned i vann. Det må heller ikke helles vann i på innsiden av apparatet.

Behandling av bollen

- For å unngå å skade teflonbelegget på innsiden av bollen, må du ikke skjære mat i den.
- Bruk redskaper i plast eller tre ved omrøring eller servering av mat. Ikke bruk redskaper i metall for å unngå skader på bollens belegg.
- For å unngå risiko for korrosjon, skal det ikke helles eddik i bollen.
- Fargen på bollens overflate kan endres etter første gangs bruk eller etter lang tids bruk. Denne fargeendringen skyldes damp og vann og har ingen effekt på bruken av riskokeren. Det er heller ikke helseskadelig. Det er helt sikkert å fortsette bruken.
- Det må ikke brukes en håndmikser rett i bollen med teflonbelegg.

Rengjøring og behandling av de andre delene på apparatet

La apparatet kjøle seg ned.

- Alltid koble fra apparatet før rengjøring.
- Rengjør utsiden av riskokeren, innsiden av lokket – **Fig.30** og strømledningen med en fuktig klut. Tørk grundig etterpå- Ikke bruk slipende produkter.
- Vann må aldri brukes til å rengjøre innsiden av apparatets hoveddel ettersom det kan skade varmesensoren.

Veiledning ved tekniske problemer

Beskrivelse av feil	Årsaker	Løsninger
LED-skjermen viser "E0".	Øvre hovedsensor, åpen krets eller kortslutning.	Send apparatet til et godkjent servicesenter for reparasjon.
LED-skjermen viser "E1".	<ul style="list-style-type: none"> • Ingen bolle. • Nedre hovedsensor, åpen krets eller kortslutning. 	<ul style="list-style-type: none"> • Sett bollen i apparatet. Deretter kobles apparatet til. • Hvis skjermen fremdeles viser E1 etter at bollen er satt på plass, må apparatet sendes til et godkjent servicesenter for reparasjon.
Indikatorlyset lyser ikke og apparatet varmer ikke.	Riskokeren er ikke koblet til.	Kontroller at strømledningen er satt godt på plass i riskokeren og at apparatet er koblet til stikkontakten.
Indikatorlyset lyser ikke og apparatet varmer.	Et internt problem med koblingen til indikatorlyset eller indikatorlyset er skadet.	Send apparatet til et godkjent servicesenter for reparasjon.
Damplekkasje ved bruk.	Lokket er ikke lukket ordentlig.	Åpne og lukk lokket igjen.
	Mikrotrykkventilen er ikke riktig plassert eller feil satt sammen.	Stopp kokingen (koble fra apparatet) og kontroller at ventilen er satt sammen riktig (de 2 delene er låst sammen) og godt plassert.
	Lokkets eller mikrotrykkventilens pakning er skadet.	Send apparatet til et godkjent servicesenter for reparasjon.
Risen er ikke ferdigkokt eller overkokt.	Ikke nok eller for mye vann i forhold til mengde ris.	Se anvisningene for riktig vannmengde.
Den automatiske "Holde varm"-funksjonen virker ikke (apparatet blir stående på kokeprogrammet eller varmer ikke i "Holde varm"-modus).		Send apparatet til et godkjent servicesenter for reparasjon.
Vannlekkasje på arbeidsbenken.	Kondensoppsamleren mangler eller den er full og flyter over.	Tøm kondensoppsamleren etter hver bruk og sjekk at den er riktig satt på plass.

NO

Merk: hvis den indre bollen er skadet, må den ikke brukes mer. Skaff deg en ny fra et godkjent servicesenter.

Beskrivning

1. Ångkorg
2. Markering för vattennivå
3. Löstagbar släpp-lättbelagd innerskål
4. Rissked
5. Knapp locköppning
6. Lock
7. Innerlock, löstagbart
8. Måttbägare
9. Microtryckventil
10. Kondensuppsamlare
11. Handtag
12. Skedfack
13. Nätsladd
14. Värmeplatta
15. Sensor
16. Kontrollpanel
 - a. Knapp VARMHÅLLNING/AVBRYT (grön)
 - b. Knapp FÖRDRÖJNING
 - c. Knapp Minska koktiden
 - d. Kontrollampa vitt ris
 - e. Kontrollampa snabbvis
 - f. Kontrollampa råris
 - g. Kontrollampa gryn
 - h. Koktidsdisplay (endast vissa program) eller indikering att varmhållning pågår (endast vissa program)
 - i. Havregrynsgröt/gröt kontrollampa
 - j. Kontrollampa långkok
 - k. Kontrollampa ångkokning
 - l. Kontrollampa dessert
 - m. STARTKNAPP
 - n. MENYKNAPP
 - o. Knapp Öka koktiden

Före första användningen

Packa upp kokaren

- Ta ut kokaren ur förpackningen och packa upp dokumentationen och alla tillbehör.
- Öppna locket genom att trycka på knappen på locket – **Fig.1**.
- Montering av skedfack: sätt i plastkroken i hålet i botten av kokaren och för den nedåt – **Fig.2**.

Läs instruktionerna och kokanvisningarna.

Rengöring av kokaren

- Ta ut innerskålen, det inre locket och microtryckventilen. Tryck på spärren på höger sida för att lossa på locket – **Fig.3**.
- När innerlocket tagits av trycker man med ett finger upp microtryckventilen underifrån upp genom hålet i locket – **Fig.4**. Lås upp microtryckventilen genom att vrida den övre trekanten tills den står vid det öppna hänaglåset; detta skiljer den övre och under delen av ventilen från varandra – **Fig.5** and **Fig.6**.
- Rengör skål, innerlock, microtryckventil och alla tillbehör med svamp och diskmedel. Torka av utsidan av kokaren och metalldelarna av locket med en fuktig trasa.
- Torka omsorgsfullt.
- Innerskålen, ångkorgen, kondensuppsamlaren, skeden och måttet kan alla köras i diskmaskin.
- Installering av microtryckventilen. Vrid på ventilen tills den övre trekanten står vid det öppna hänaglåset på microtryckventilen för att fästa de båda delarna vid varandra; - vrid sedan i motsatt riktning tills den övre trekanten står vid det stängda hänaglåset och delarna är låsta;

sätt tillbaka microtryckventilen i locket – **Fig.7**. Se till att trekanten på microtryckventilen står vid trekanten på locket och tryck nedåt tills allt är på plats.

- Sätt tillbaka locket; passa in fliken på vänster sida i spåret på locket och för locket framåt så att fliken på höger sidan kommer på plats. Den bredare delen av tätningen måste vara uppåt när locket sätts på.

Använda riskokaren

Alla 8 funktioner

- Torka noga av insidan av skålen, särskilt i botten. Se till att det inte finns rester av främmande ämnen eller vatten under skålen eller på värmeplattan – **Fig.8**.
- Placera skålen i kokaren – **Fig.9**, och se till att den sitter rätt.
- Roter skålen något åt båda hållen så att det blir en bra kontakt mellan skålens botten och värmeplattan.
- Kontrollera att kondensuppsamlaren sitter korrekt, om inte se till att trycka in den i sitt spår – **Fig.10**.
- Stäng locket.
- Sätt i nätsladden nedtill på kokaren. Se till att den sitter ordentligt.
- Anslut kokaren till ett nätuttag. Kokaren avger en lång ljudsignal, display och kontrollampor blinkar till en gång och sedan visas "--" på displayen. Detta anger att kokaren är i standby och är redo för användning/val av funktioner.
- Sätt inte på kokaren förrän alla steg ovan gått igenom.
- Sätt aldrig på kokaren med tom innerskål.
- Rör inte vid värmeplattan när kokaren är ansluten till nätuttag.

Rör aldrig vid microtryckventilen under kokning - fara för brännskador.

Om du vill ändra kokprogram ska du först alltid trycka på AVBRYT (CANCEL) innan du väljer nytt program.

Använd ingen annan innerskål än den som medföljer kokaren.

Håll aldrig vatten eller ingredienser i kokaren om innerskålen inte är på plats.

SV

PROGRAM OCH FUNKTIONER

Program	Fördröjning (Preset)	Efterkokning (+ efterkokningstid)	Varmhållning*
Vitt ris	JA	JA - 14 min	JA
Snabbris	JA	JA - 10 min	JA
Råris	JA	JA - inräknad i koktiden	JA
Gryn	JA	JA - 10 min	JA
Havregrynsgröt/gröt	JA	JA - 10 min	JA
Långkok	NEJ	NEJ	JA
Ångkokning	JA	NEJ	JA
Dessert	NEJ	NEJ	JA

* Funktionen "varmhållning" är påslagen i 24 timmar, sedan kommer funktionen automatiskt att stängas av.

Mäta ingredienser - Maximal mängd i skålen

- Markeringarna på insidan av skålen är graderade i liter och mått, och är till för att mäta mängden vatten vid kokning av ris – **Fig.11**.
- Den medföljande måttbägaren används för att mäta upp riset; i tabellen nedan anges hur mycket ris som behövs vid tillagning av olika antal portioner. En struken måttbägare ris är ungefär 150 g ris.
- För bästa resultat rekommenderar vi att man använder vanligt ris snarare än förbehandlat eftersom detta brukar ge ett kladdigare kokt ris som lätt fastnar på botten av skålen.
- För att koka 1 mått ris- två små portioner eller en stor portion - tar man ett mått ris och ett och ett halvt mått vatten. Vissa sorters ris fastnar normalt vid botten av skålen när man bara kokar ett mått ris. Koka 2 eller fler mått ris för bästa resultat.
- Total mängd vatten + ris bör inte överskrida märket 10 mått på skålens insida – **Fig.11**.
- Koktiderna i tabellerna är ungefärliga och är enbart vägledande.
- Placera kokaren på en jämn, stabil och värmetålig yta på säkert avstånd från stänkande vatten och andra värmekällor.
- Mät upp riset med måttbägare och skölj noga i kallt vatten före kokningen.
- Håll upp riset i skålen. Fyll på med kallt vatten upp till motsvarande märke (CUP) på skålen (Se koktabellen nedan) – **Fig.12**.
- Stäng locket.
Obs: Tillsätt alltid riset först annars kommer du att få för mycket vatten i kokaren.

Riskokaren bestämmer själv den exakta koktiden beroende på hur mycket vatten och vilka ingredienser som finns i skålen (Se tabellen nedan för ungefärliga koktider).

KOKTID FÖR VITT RIS - MODELL FÖR TIO MÅTT

Måttbägare med vitt ris	Risets vikt	Vattennivå i skålen (+ ris)	Portioner	Ungefärlig koktid*
2	300 g	2 mått	3-4	42 min
4	600 g	4 mått	5-6	46 min
6	900 g	6 mått	8-10	50 min
8	1200 g	8 mått	13-14	55 min
10	1500 g	10 mått	16-18	60 min

* Riskokaren bestämmer själv den exakta koktiden beroende på hur mycket ris och vatten som finns i skålen Kokning följs automatiskt av efterkokning.

Tillagning med fördröjning - Preset

- Det är möjligt att fördröja tillagningens starttid.
- Tryck på menyknappen (Menu) tills kontrollampan för önskat program tänds. Tryck sedan på Fördröjning (Preset) och displayen visar minimal fördröjning (siffrorna blinkar vilket anger att fördröjningstid behöver ställas in) – **Fig.13**. Använd ◀▶ för att ställa in fördröjningstid och tryck sedan på startknappen (Start). Obs att fördröjningstid inkluderar koktid, dvs. kokningen avslutas när fördröjningstiden har utlöp – **Fig.14**. Varje tryckning ökar eller minskar fördröjningstiden med en timme.
- Efter kokningen kommer kontrollampan "varmhållning" att tändas, kokaren avger flera signaler och symbolen "b" visas på displayen – det är dags att ta av locket och servera – **Fig.15**.
- Maximal fördröjningstid är 15 timmar. Efter 15 timmar återgår timern till minsta fördröjningstid.

Kokning med fördröjning kan användas med programmen Vitt ris, Snabbris, Gryn, Råris, Havregryn, Ångkokning.

SV

Koka vitt ris

Under efterkokningen absorberas den kvarvarande vätskan i skålen.

- Funktionen fördröjning kan användas tillsammans med kokprogrammet "Vitt ris", med möjlig fördröjning på mellan 2 och 15 timmar.
- Tryck på menyknappen (Menu) medan kokaren är i standby tills kontrollampan "Vitt ris" tänds, "--" visas på displayen och kontrollampan "Start" börjar blinka – **Fig.16**. Tryck på startknappen så kokaren går över i kokningsläge "vitt ris" - kontrollampan "Start" förblir tänd och på displayen visas "--" – **Fig.17**.
- När innerskålen är torr låter en ljudsignal två gånger och kokaren går över i efterkokning i 14 minuter. På displayen visas en nedräkning av de 14 minuterna.
- När nedräkningen är avslutad kommer kontrollampan "varmhållning" att tändas, kokaren avger flera signaler och symbolen "b" visas på displayen. Ta av locket och rör om riset med risskeden för att skilja riskornen åt. Det kokta riset kan serveras omedelbart eller hållas varmt tills det är dags att servera – **Fig.15**.

Koka snabbris

- Funktionen "Snabbris" kan bara användas för vitt ris. Funktionen fördröjning kan användas tillsammans med kokprogrammet "Snabbris", med möjlig fördröjning på mellan 2 och 15 timmar.
- Tryck på menyknappen (Menu) medan kokaren är i standby tills kontrollampan "Snabbris" tänds, "--" visas på displayen och kontrollampan "Start" börjar blinka – **Fig.18**. Tryck på startknappen så kokaren går över i läge "Snabbris" -

kontrolllampan "Start" förblir tänd och på displayen visas "--" – **Fig.17**.

- När vattnet i innerskålen när kokningstemperatur låter ljudsignalen fler gånger och på displayen visas "10" som anger att nedräkning på 10 minuter startas.
- När nedräkningen är avslutad kommer kontrolllampan "varmhållning" att tändas, kokaren avger flera signaler och symbolen "b" visas på displayen. Öppna locket och rör om riset med en slev för att undvika klumpar. Det kokta riset kan serveras omedelbart eller hållas varmt tills det är dags att servera – **Fig.15**.
- Denna funktion förkortar koktiden och passar den som har bråttom.
- Se efter användningen till att tömma och rengöra kondensuppsamlaren.

Råris

Koka Råris

- Funktionen fördröjning kan användas tillsammans med kokprogrammet "Råris", med möjlig fördröjning på mellan 2 och 15 timmar.
- Tryck på menyknappen (Menu) medan kokaren är i standby tills kontrolllampan "Råris" tänds, "--" visas på displayen och kontrolllampan "Start" börjar blinka – **Fig.19**. Tryck på startknappen så kokaren går över i läge "Råris" - kontrolllampan "Start" förblir tänd och på displayen visas nedräkningstiden – **Fig.17**.
- Sedan följer efterkokning. Tiden för efterkokning är redan inräknad i de 90 minuterna koktid.
- Efter efterkokningen kommer kontrolllampan "varmhållning" att tändas, kokaren avger flera signaler och symbolen "b" visas på displayen. Kokaren går över i läget "varmhållning" – **Fig.15**.

Rekommendationer för bästa resultat vid riskokning

- Mät upp önskad mängd ris och skölj det i sil under rinnande vatten. Obs att risottoris inte ska sköljas. Håll sedan riset i skålen tillsammans med lämplig mängd vatten.
- Se till att riset är jämnt fördelat i hela skålen för att underlätta jämn kokning.
- Tillsätt eventuellt salt efter smak.
- Man kan använda buljong istället för vatten, men om man använder buljong kan riskornen bli en aning bruna undertill.
- Öppna inte locket under kokningen eftersom man då förlorar ånga och detta påverkar både koktid och smak.

Gryn

Koka gryn

- Funktionen fördröjning kan användas tillsammans med kokprogrammet "Gryn", med möjlig fördröjning på mellan 2 och 15 timmar.
- Tryck på menyknappen (Menu) medan kokaren är i standby tills kontrollampan "Gryn" tänds, "--" visas på displayen och kontrollampan "Start" börjar blinka – **Fig.20**. Tryck på startknappen (Start) så kokaren går över i läge "Gryn" - kontrollampan "Start" förblir tänd och på displayen visas "-" – **Fig.17**.
- När vattnet i innerskålen når kokningstemperatur låter ljudsignalen fler gånger och på displayen visas "10" som anger att nedräkning på 10 minuter startas.
- När nedräkningen är avslutad kommer kontrollampan "varmhållning" att tändas, kokaren avger flera signaler och symbolen "b" visas på displayen. Öppna locket och rör om riset med en slev för att skilja kornen åt. Det kokta riset kan serveras omedelbart eller hållas varmt tills det är dags att servera – **Fig.15**.

Detta program passar för couscous, bulgur, polenta, quinoa och hirs.

Använd inte mer än 5 mått gryn i 10-måttmodellen.

Håll i dubbla mängden vatten jämfört med mängden gryn.

SV

Havregrynsgröt/gröt

Att koka havregrynsgröt eller annan gröt

- Funktionen fördröjning kan användas tillsammans med kokprogrammet "Havregrynsgröt/gröt", med möjlig fördröjning på mellan 2 och 15 timmar.
- Tryck på menyknappen (Menu) medan kokaren är i standby tills kontrollampan "havregrynsgröt/gröt" tänds, "--" visas på displayen och kontrollampan "Start" börjar blinka – **Fig.21**. Tryck på startknappen så kokaren går över i läge "Havregrynsgröt/gröt" - kontrollampan "Start" förblir tänd och på displayen visas "-" – **Fig.17**.
- När vattnet i innerskålen når kokningstemperatur låter ljudsignalen två gånger och på displayen visas "10" som anger att nedräkning på 10 minuter startas.
- När nedräkningen är avslutad kommer kontrollampan "varmhållning" att tändas, kokaren avger flera signaler och symbolen "b" visas på displayen. Kokaren går över i läget "varmhållning" – **Fig.15**.

Långkok

Att långkoka

- Funktionen fördröjning kan inte användas med funktionen "långkok".
- Tryck på menyknappen (Menu) medan kokaren är i standby tills kontrollampen "långkok" tänds, "--" visas på displayen och kontrollampen "Start" börjar blinka – **Fig.22**. Tiden kan ställas in i timintervall från 1 timme till 9 timmar.
- Tryck på startknappen (Start), kontrollampa för start tänds och på displayen visas nedräkningen i timintervall, när 60 minuter återstår i minutintervall – **Fig.17**.
- När nedräkningen är avslutad kommer kontrollampen "varmhållning" att tändas, kokaren avger flera signaler och symbolen "b" visas på displayen. Kokaren går över i läget "varmhållning" – **Fig.15**.

Ångkokning (grönsaker, fisk, frukt)

- Mängden vatten i innerskålen bör inte överskrida maxmärket CUP på insidan av skålen – **Fig.11**. Om märket överskrids kan överkokning inträffa.
- Vattennivån ska vara lägre än ångkorgen.
- För ett ångkokprogram på 30 minuter är 2 mått vatten tillräckligt.
- Lägg ingredienserna i ångkorgen.
- Placera ångkorgen i skålen – **Fig.23**.
- Funktionen fördröjning kan användas tillsammans med kokprogrammet "Ångkokning", med möjlig fördröjning på mellan 2 och 15 timmar.
- Tryck på menyknappen (Menu) medan kokaren är i standby tills kontrollampen "Ångkokning" tänds, "--" visas på displayen och kontrollampen "Start" börjar blinka – **Fig.24**. Tryck på startknappen (Start) så kokaren går över i läge Ångkokning (Steam) - på displayen visas "1" om fördröjning inte valts – **Fig.25**.
- Om fördröjning valts visar displayen istället en timer för nedräkning av förinställd tid.
- Efter kokningen avger kokaren flera ljudsignaler, kontrollampen "varmhållning" tänds och symbolen "b" visas på displayen - kokaren går över till "varmhållning" – **Fig.15**. Öppna locket, de ångkokta matvarorna kan serveras direkt eller hållas varma en kortare tid – **Fig.15**.

Dessert

Tillaga desserter

- Funktionen fördröjning kan inte användas med dessertprogrammet.
- Dessertprogrammet är lämpligt för sockerkakor.

- Tryck på menyknappen (Menu) medan kokaren är i standby tills kontrollampan "Dessert" tänds, "--" visas på displayen och kontrollampan "Start" börjar blinka – **Fig.26**. Tryck på startknappen så kokaren går över i läge "Dessert" - kontrollampan "Start" förblir tänd och på displayen visas "--" – **Fig.17**.
- Dessertfunktionen förblir på i 45 minuter, sedan kopplas "varmhållning" på. Efter kokningen avger kokaren flera ljudsignaler, kontrollampan "varmhållning" tänds och symbolen "b" visas på displayen - kokaren går över till "varmhållning" – **Fig.15**.

Automatisk varmhållning

Man ska endast starta riskokaren i läge varmhållning om maten redan är varm.

- Möjlighet till fördröjning saknas för funktionen "Varmhållning/Avbryt".
- Tryck på Varmhållning/Avbryt (Keep Warm/Cancel) medan kokaren är i standby, kontrollampan "Varmhållning/Avbryt" tänds och symbolen "b" visas på displayen - kokaren går över till "varmhållning" – **Fig.15**.
- Tryck på Varmhållning/Avbryt (Keep Warm/Cancel) när ett program eller en funktion är aktiverad för att avbryta och återgå till standby.
- Funktionen "varmhållning" kan vara påslagen i 24 timmar, sedan kommer funktionen automatiskt att stängas av.
- Funktionen "varmhållning" bör inte användas för att värma upp mat.

SV

Korttidsminne (backup vid strömavbrott)

- Kokaren är försedd med ett begränsat minne för kortare strömavbrott på 3-10 sekunder. Efter ett sådant avbrott återupptas kokprogrammet enligt gjorda inställningar när strömmen kommer tillbaka. Om strömmen varit avbruten för en längre tid återgår kokaren till standby när strömmen kommer tillbaka.

Efter avslutad kokning

Ångan efter kokning är mycket het.

Använd alltid grytvantar eller grytlappar när innerskålen tas ut efter kokning.

- Öppna locket.
- Servera med medföljande plastsked och stäng locket.
- Maten som är kvar i innerskålen hålls varm.
- Glöm inte att trycka på Avbryt (CANCEL) för att avsluta varmhållningen och dra dessutom ut kontakten.

Rengöring och skötsel

Kondensuppsamlare

- Kondensuppsamlaren bör tömmas och rengöras efter varje användning.
- Tryck in sidorna på plasthöljet för att ta av uppsamlaren – **Fig.27**.

- Tryck bestämt in kondensuppsamlaren i sin hållare för att sätta den på plats.

Skål, kondensuppsamlare, microtryckventil och ångkorg

- Ta av innerlocket och skjut sedan microtryckventilen med ett finger underifrån upp genom hålet i locket – **Fig.4**, vrid microtryckventilen åt upplåsningshålet tills den övre trekanten står vid det öppna hänslåset och separera slutligen den övre och undre delen av microtryckventilen från varandra – **Fig.5**.
- Dra ur stickkontakten innan du tar ut innerskålen. Använd vatten, diskmedel och svamp för att rengöra skålen – **Fig.28**, kondensuppsamlaren – **Fig.28**, microtryckventilen – **Fig.29**, innerlocket – **Fig.30**, skeden och måttet. Skurpulver och metallsvampar är inte att rekommendera.
- Om mat fastnat i botten av skålen ska den sättas i vatten innan den rengörs.
- Innerskålen, ångkorgen, kondensuppsamlaren, skeden och måttet kan alla köras i diskmaskin.
- Torka noga av skålen.
- Överskölj inte kokaren med vatten och håll inte vatten in i kokaren.

Skötsel av skålen

- För att undvika att skada släpp-lättbeläggningen i skålen ska man inte skära upp mat i skålen.
- Använd endast redskap av plast eller trä vid omrörning och servering av mat så att skålen inte tar skada.
- Använd inte vinäger i skålen - det kan orsaka korrosion.
- Färgen på insidan av skålen kan ändras efter första användningen eller med tiden. Denna färgförändring beror på kontakten med ånga och vatten och påverkar inte bruket av riskokaren, och den är heller inte hälsofarlig. Det är helt säkert att fortsätta använda riskokaren.
- Använd inte en blender direkt i innerskålen för att blanda mat.

Rengöring och skötsel av kokarens andra delar

Låt kokaren svalna.

- Dra ur stickkontakten innan rengöringen.
- Rengör utsidan på riskokaren, insidan av locket – **Fig.30** och sladden med fuktig trasa och torka. Använd inga repande produkter.
- Använd aldrig vatten för att rengöra insidan av själva kokaren eftersom detta kan skada värmesensorn.

Felsökningsguide

Fel	Orsak	Åtgärd
LED-displayen visar "E0".	Kortslutning eller avbrott i de övre huvudsensornerna.	Lämna kokaren till ett auktoriserat serviceställe för reparation.
LED-displayen visar "E1".	<ul style="list-style-type: none"> Innerskål saknas. Kortslutning eller avbrott i de nedre huvudsensornerna. 	<ul style="list-style-type: none"> Sätt i skålen i kokaren. Anslut kokaren till ett nätuttag. Om displayen fortfarande visar E1 ska man lämna kokaren till ett auktoriserat serviceställe för reparation.
Kontrolllamporna tänds inte och kokaren blir inte varm.	Kokaren är inte nätansluten.	Kontrollera att nätsladden är ordentligt ansluten både till riskokaren och till nätuttaget.
Ingen kontrollampa tänds men kokaren blir ändå varm.	Inre anslutning till kontrollampan skadad eller lampan skadad.	Lämna kokaren till ett auktoriserat serviceställe för reparation.
Ånga läcker under kokningen.	Locket är dåligt påsatt.	Ta av locket och sätt på det igen.
	Microtryckventilen sitter inte korrekt eller har inte monterats samman på rätt sätt.	Avbryt kokningen och ta ur stickkontakten - kontrollera att ventilen är rätt monterad/att de två delarna sitter ihop rätt, och sitter på rätt plats.
	Locket eller tätningen till microtryckventilen är skadat.	Lämna kokaren till ett auktoriserat serviceställe för reparation.
Riset blir inte ordentligt kokt eller blir överkokt.	För lite resp. för mycket vatten i skålen i förhållande till mängden ris.	Se instruktionerna om mängden vatten.
Funktionen automatisk varmhållning fungerar inte - kokaren stannar kvar i kokprogram eller ger ingen värme under varmhållningen.		Lämna kokaren till ett auktoriserat serviceställe för reparation.
Vattenläckage på underlaget.	Kondensuppsamlaren flödar över eller saknas.	Töm alltid kondensuppsamlaren efter varje användning och se till att den sätts tillbaka korrekt.

SV

OBS: om innerskålen är skadad ska man inte använda den mer utan skaffa en ny skål från auktoriserat servicecenter.