

GARANTIE FABRICANT

Dans le cadre de notre engagement puissant envers l'environnement, la plupart des produits Krups sont réparables durant la période de garantie et par la suite. Avant de retourner des produits défectueux à l'endroit où vous l'avez acheté, veuillez communiquer directement avec le service à la clientèle de Krups au numéro de téléphone mentionné ci-dessous, pour connaître les options de réparation. Votre aide pour soutenir l'environnement est appréciée!

La garantie

Ce produit est garanti par Krups pendant **2 ans** contre tout défaut de fabrication ou de main-d'œuvre et ce, à partir de la date initiale de l'achat.

Cette garantie du fabricant Krups vient en complément des droits des consommateurs.

La garantie du fabricant couvre tous les coûts de remise en état d'un produit reconnu défectueux pour qu'il se conforme à ses spécifications d'origine, par la réparation ou le remplacement de pièces défectueuses et la main-d'œuvre nécessaire. Au choix de Krups, un produit de remplacement peut être proposé à la place de la réparation du produit défectueux. Les obligations de Krups dans le cadre de cette garantie, se limitent exclusivement à cette réparation ou ce remplacement.

Conditions et exclusions

La garantie de Krups ne s'applique qu'aux États-Unis, au Canada et au Mexique et n'est valable que sur présentation d'une preuve d'achat. Le produit peut être déposé directement en personne, à un centre de service autorisé ou peut être adéquatement emballé et retourné par courrier enregistré (ou d'autres méthodes d'expédition similaires), à un centre de service autorisé. La liste complète des centres de service autorisés de chaque pays, ainsi que leurs coordonnées complètes, est disponible sur le site de Krups (www.krups.com) ou en appelant au numéro de téléphone approprié, tel que précisé sur la liste ci-dessous, pour obtenir l'adresse postale appropriée.

Krups ne sera pas obligée de réparer ou d'échanger un produit qui ne serait pas accompagné d'une preuve d'achat valide.

Cette garantie ne couvre pas les dommages encourus à la suite d'une mauvaise utilisation, d'une négligence, du non-respect des instructions d'utilisation et d'entretien, de l'utilisation avec une alimentation électrique non conforme à celle spécifiée sur la plaque signalétique ou d'une modification ou d'une réparation non autorisée du produit. Elle n'inclut également pas l'usure normale du produit, ni l'entretien ou le remplacement de pièces consommables, ni les cas suivants :

- utilisation d'une eau ou d'un consommable non adaptés
- entartrage (tout détartrage doit être réalisé conformément aux instructions précisées dans le mode d'emploi)
- infiltration d'eau, de poussière, d'insectes, dans le produit
- dommages mécaniques ou surcharge
- dommages ou mauvais résultats dus à un mauvais voltage ou une mauvaise fréquence
- tous accidents liés à un feu, une inondation, la foudre, etc.
- usage professionnel ou commercial
- verre ou céramique endommagé

Cette garantie ne s'applique pas aux produits trafiqués ou aux dommages encourus à la suite d'une mauvaise utilisation ou d'un mauvais entretien, aux problèmes au niveau de l'emballage effectué par son propriétaire ou d'une manutention inadéquate de la part du transporteur.

La garantie du fabricant Krups ne s'applique qu'aux produits achetés et utilisés aux États-Unis, au Canada et au Mexique. En cas d'utilisation dans un autre pays que celui de l'achat :

- a) La durée de la garantie de Krups est celle du pays d'utilisation du produit, y compris dans le cas où le produit aurait été acquis dans l'un des pays listés, avec une durée de garantie différente.
- b) La garantie de Krups ne s'applique pas en cas de non-conformité du produit aux normes locales, tels que le voltage, la fréquence électrique, le type de prise électrique ou toute autre spécification locale.
- c) Le processus de réparation du produit acheté à l'extérieur du pays d'utilisation, pourrait exiger une période de réparation supérieure aux conditions locales, si le produit n'est pas vendu par Krups dans le pays d'emploi
- d) Au cas où le produit ne serait pas réparable dans le pays d'emploi, la garantie de Krups est limitée au remplacement par un produit équivalent ou un produit alternatif de même valeur si c'est possible.

Droits légaux des consommateurs

Cette garantie de Krups n'affecte ni les droits légaux dont bénéficie tout consommateur, qui ne sauraient être exclus ou limités, ni les droits légaux envers le commerçant ou le consommateur a acheté le produit. Cette garantie donne au consommateur des droits spécifiques et le consommateur peut par ailleurs bénéficier des droits particuliers en fonction du pays, de l'Etat ou de la province. Le consommateur peut faire usage de ces droits à sa discrétion exclusive.

Informations supplémentaires

Les accessoires, consommables et autres pièces remplaçables directement par l'utilisateur, peuvent être achetées, si elles sont disponibles localement, tel que décrit sur le site internet de Krups / www.krups.com

CANADA GROUPE SEB CANADA 345 Passmore Avenue Toronto, ON M1V 3N8 1-800-418-3325	MEXICO G.S.E.B. MEXICANA, S.A. de C.V. Goldsmith 38 Desp. 401, Col. Polanco Chapultec Delegacion Miguel Hidalgo 11 560 Mexico D.F. (01800) 112 83 25	U.S.A. GROUPE SEB USA 2121 Eden Road Millville, NJ 08332 800-526-5377
---	--	--

Electronic Rice Cooker 4 in 1

www.krups.com

USA

F



KRUPS

NC00120486

MANUFACTURER'S WARRANTY

With a strong commitment to the environment, most of Krups products are repairable during and after the warranty period. Before returning any defective products to the point of purchase, please call Krups consumer service directly at the phone number below for repair options. Your help to sustain the environment is appreciated!

The Warranty

This product is guaranteed by Krups for a period of **2 years** against any manufacturing defect in materials or workmanship, starting from the initial date of purchase.

The manufacturer's warranty by Krups is an extra benefit which does not affect consumer's Statutory Rights.

The Krups warranty covers all costs related to restoring the proven defective product so that it conforms to its original specifications, through the repair or replacement of any defective part and the necessary labor. At Krups's choice, a replacement product may be provided instead of repairing a defective product. Krups's sole obligation and your exclusive resolution under this warranty are limited to such repair or replacement.

Conditions & Exclusions

The Krups warranty only applies within USA, Canada & Mexico, and is valid only on presentation of a proof of purchase. The product can be taken directly in person to an authorized service centre or must be adequately packaged and returned, by recorded delivery (or equivalent method of postage), to a Krups authorized service centre. Full address details for each country's authorized service centre are listed on the Krups website (www.krups.com) or by calling the appropriate telephone number listed below to request the appropriate postal address.

Krups shall not be obliged to repair or replace any product which is not accompanied by a valid proof of purchase.

This warranty will not cover any damage which could occur as a result of misuse, negligence, failure to follow Krups instructions, use on current or voltage other than as stamped on the product, or a modification or unauthorized repair of the product. It also does not cover normal tear and wear, maintenance or replacement of consumable parts, and the following:

- using the wrong type of water or consumable
- scaling (any de-scaling must be carried out according to the instructions for use);
- ingress of water, dust or insects into the product;
- mechanical damages, overloading
- damages or bad results due to wrong voltage or frequency
- accidents including fire, flood, lightning, etc
- professional or commercial use
- damage to any glass or porcelain ware in the product

This warranty does not apply to any product that has been tampered with, or to damages incurred through improper use and care, faulty packaging by the owner or mishandling by any carrier.

The Krups manufacturer's warranty applies only for products purchased and used in USA, Canada & Mexico. Where a product purchased in one country and then used in another one:

- a) The Krups guarantee duration is the one in the country of usage of the product, even if the product was purchased in another listed country with different guarantee duration.
- b) The Krups guarantee does not apply in case of non conformity of the purchased product with the local standards, such as voltage, frequency, power plugs, or other local technical specifications
- c) The repair process for products purchased outside the country of use may require a longer time if the product is not locally sold by Krups
- d) In cases where the product is not repairable in the new country, the Krups guarantee is limited to a replacement by a similar product or an alternative product at similar cost, where possible.

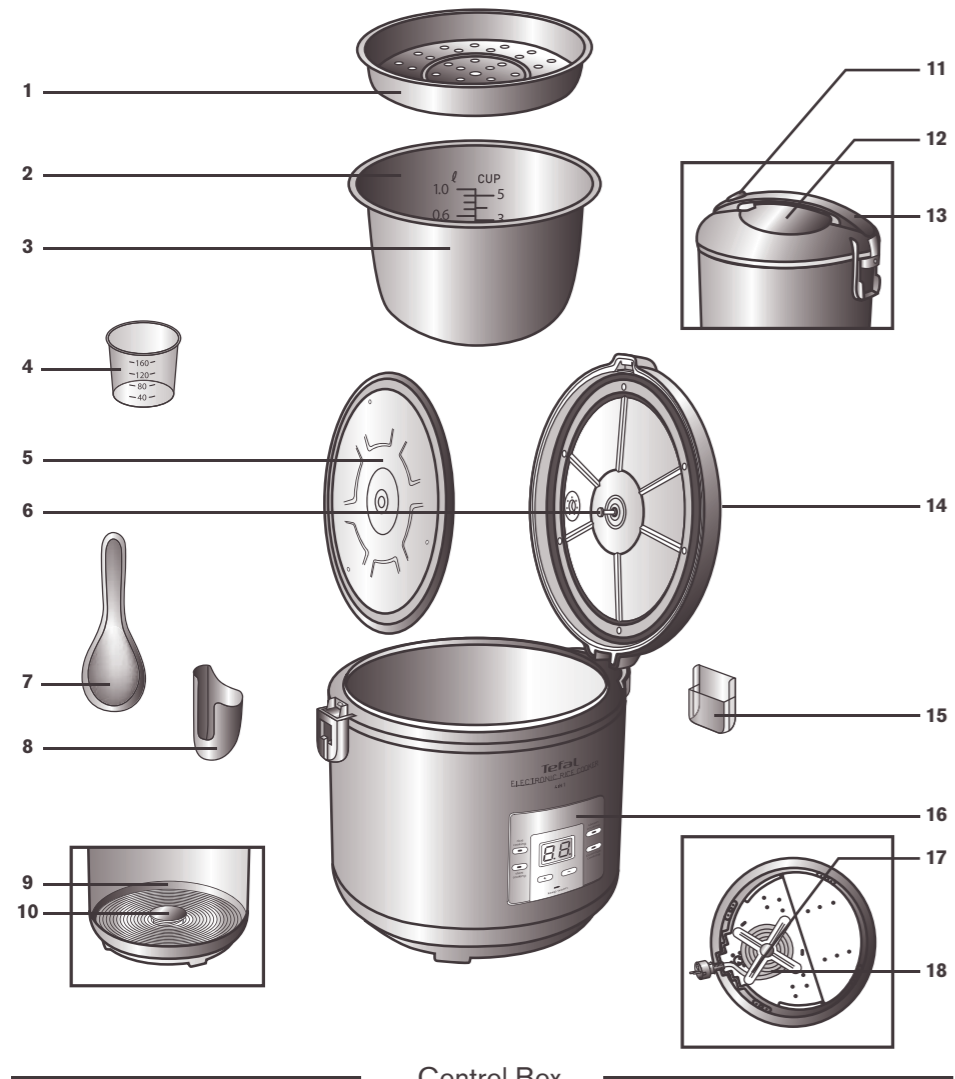
Consumer Statutory Rights

This Krups manufacturer's warranty does not affect the statutory rights a consumer may have or those rights that cannot be excluded or limited, nor rights against the retailer from which the consumer purchased the product. This warranty gives a consumer specific legal rights, and the consumer may also have other legal rights which vary from State to State or Country to Country or Province to Province. The consumer may assert any such rights at his sole discretion.

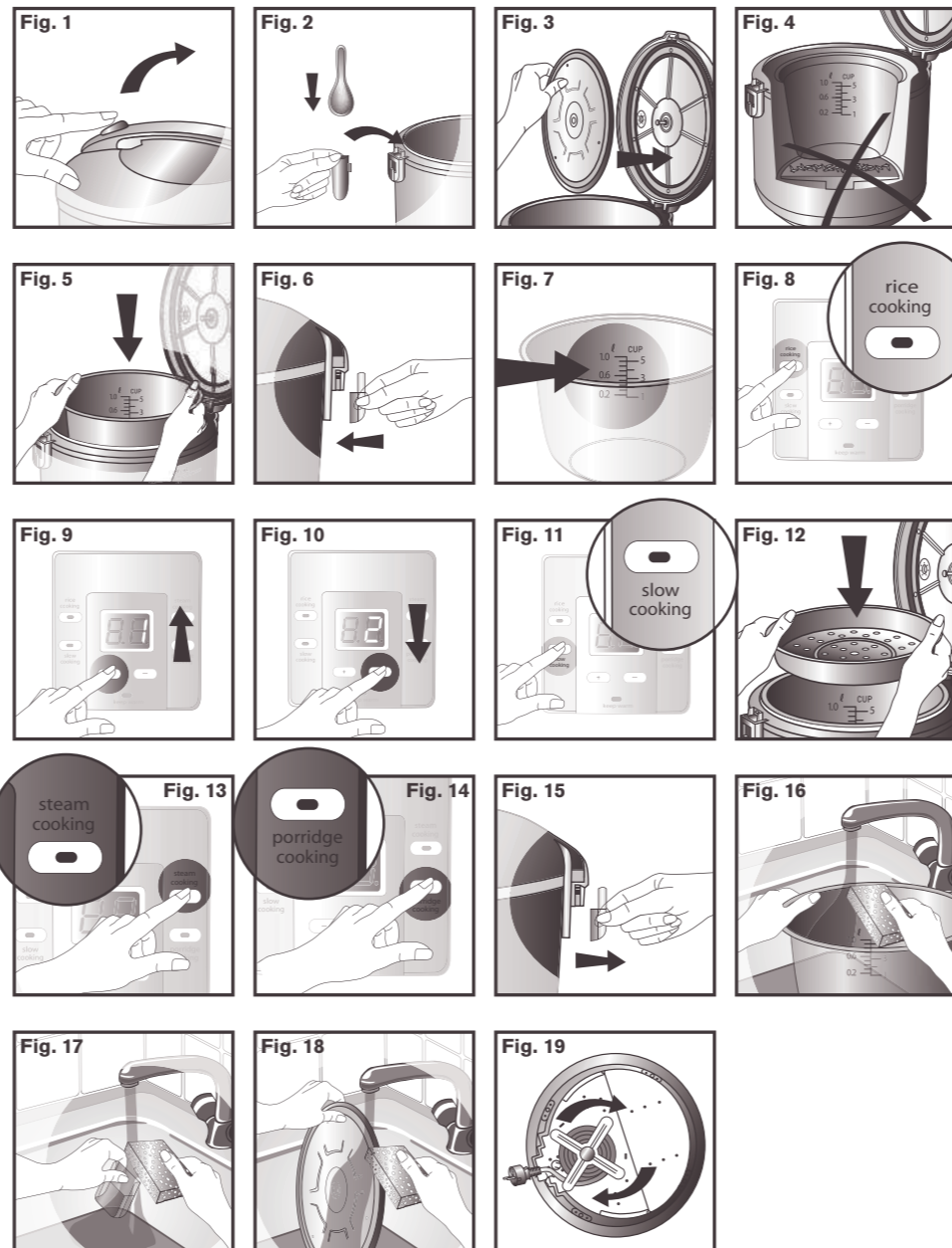
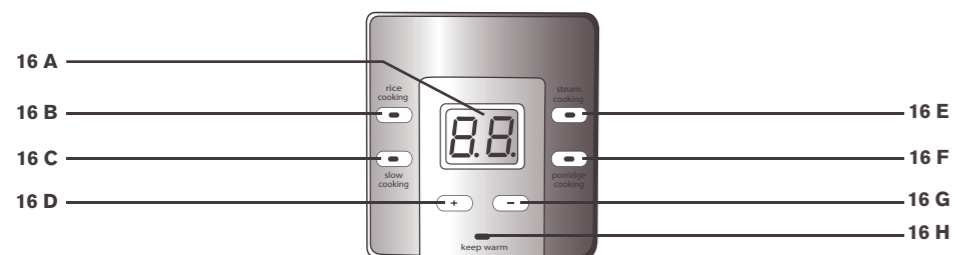
Additional information

Accessories, Consumables and end-user replaceable parts can be purchased, if locally available, as described in Krups internet site / www.krups.com

CANADA GROUPE SEB CANADA 345 Passmore Avenue Toronto, ON M1V 3N8 1-800-418-3325	MEXICO G.S.E.B. MEXICANA, S.A. de C.V. Goldsmith 38 Desp. 401, Col. Polanco Chapultec Delegacion Miguel Hidalgo 11 560 Mexico D.F. (01800) 112 83 25	U.S.A. GROUPE SEB USA 2121 Eden Road Millville, NJ 08332 800-526-5377
---	--	--



Control Box



IMPORTANT SAFEGUARDS

When using electrical appliances, basic safety precautions should always be followed including the following:

- 1 Read all instructions
- 2 Do not touch hot surfaces. Use handles or knobs.
- 3 To protect against electrical shock do not immerse cord, plugs, or (state specific part or parts in question) in water or other liquid.
- 4 Close supervision is necessary when any appliance is used by or near children.
- 5 Unplug from outlet when not in use and before cleaning. Allow to cool before putting on or taking off parts.
- 6 Do not operate any appliance with a damaged cord or plug or after the appliance malfunctions or has been damaged in any manner. Return appliance to the nearest authorized service facility for examination, repair, or adjustment.
- 7 The use of accessory attachments not recommended by the appliance manufacturer may cause injuries.
- 8 Do not use outdoors (this item may be omitted if the product is specifically intended for outdoor use).
- 9 Do not let cord hang over edge of table or counter, or touch hot surfaces.
- 10 Do not place on or near a hot gas or electric burner, or in a heated oven.
- 11 Extreme caution must be used when moving an appliance containing hot oil or other hot liquids.
- 12 Always attach plug to appliance first, then plug cord into the wall outlet. To disconnect, turn any control to «off», then remove plug from wall outlet.
- 13 Do not use appliance for other than intended use.

14 **SAVE THESE INSTRUCTIONS.**

SAFETY REMINDERS

Read and follow the instructions for use. Keep them for future use.

Safety Instructions

- This appliance complies with the safety regulations and conditions in effect at the time of manufacture.
- Check that the power supply voltage corresponds to that shown on the appliance (alternating current).
- Given the diverse standards in effect, if the appliance is used in a country other than that in which it is purchased, have it checked by an approved service centre.
- Do not place the appliance near a source of heat or in a hot oven, as serious damage could result.
- This appliance is designed for domestic use only. In case of professional use, inappropriate use or failure to comply with the instructions, the manufacturer accepts no responsibility and the guarantee does not apply.

Connecting to the power supply

- Do not use the appliance if:
 - It or its cord is damaged.
 - The appliance has fallen or shows visible damage or does not work properly.
- In these cases, the appliance must be sent to an approved Service Center. Do not take the appliance apart yourself.
- Always plug the appliance into a grounded outlet.
- Do not use an extension cord. If you accept liability for doing so, only use an extension cord which is in good condition, has a grounded plug and is suited to the wattage of the appliance.
- If the power cord is damaged, it must be replaced by the manufacturer, an authorised Service Center or a similarly qualified person in order to avoid any danger.
- Do not leave the cord hanging.
- Do not unplug the appliance by pulling on the cord.
- Always unplug the appliance immediately after use; when moving it; prior to any cleaning or maintenance.

Using

- Use a flat and stable, heat resistant work surface, away from any water splashes.
- Never leave the appliance in operation unattended. Keep away from children.
- Keep out of the reach of children.
- Burns can occur by touching the hot surface of the appliance, the hot water, the steam or the food.
- Never try to operate the appliance when the bowl is empty or without the bowl.
- The cooking function/knob must be allowed to operate freely. Do not prevent or obstruct the function from automatically changing to the keep warm function.
- Do not remove the bowl while the appliance is working.
- Do not put the appliance directly onto a hot surface, or any other source of heat or flame, as it will cause a failure or danger.
- The bowl and the heating plate should be in direct contact. Any object or food inserted between these two parts would with the correct operation.
- Do not put any food or water into the appliance until the bowl is in place.
- Respect the levels indicated in the recipes.
- During cooking, the appliance gives out heat and steam. Keep face and hands away. Do not get face and hands close to the steam outlet. Do not obstruct the steam outlet.
- Do not immerse the body in water nor pour water into it, only into the bowl.
- Should any part of your appliance catch fire, do not attempt to put it out with water. To smother the flames use a damp teatowel.
- Any intervention should only be made by a service centre with original spare parts.

Environment protection first!

- ① Your appliance contains many materials which can be recycled.
- ➔ Take it to a local civic collection point.



DESCRIPTION

- 1 Steam basket
- 2 Markings for water and rice
- 3 Removable nonstick bowl
- 4 Measuring cup
- 5 Removable steam shield
- 6 Steam shield holder
- 7 Spoon
- 8 Spoon support
- 9 Hotplate
- 10 Sensor
- 11 Lid opening button
- 12 Steam vent
- 13 Lid Handle
- 14 Lid
- 15 Condensation collector
- 16 Control box
 - A Display of cooking time or of delayed start-up, in rice-cooker mode
 - B Rice cooking indicator light (red)
 - C Slow cooking indicator light (red)
 - D Plus button of timer
 - E Steam cooking indicator light (red)
 - F Porridge indicator light (red)
 - G Minus button of timer
 - H Keep warm indicator light (orange)
- 17 Power cord
- 18 Power cord storage

BEFORE THE FIRST USE

Unpack the appliance

- Remove the appliance from the packaging and unpack all the accessories.
- Open the lid by pressing the opening button located on the handle – **Fig. 1**.
- Remove all the printed documents and the accessories.
- Install the spoon support: insert the plastic hook of the support in the hole located under the hinge of the lid, and slide it downwards – **Fig. 2**.

Read the instructions and carefully follow the operating method.

Clean the appliance

- Remove the non-stick bowl.
- Clean the metal parts of the lid and the bowl with a sponge and dishwashing liquid. Fit the steam shield onto its holder – **Fig. 3**. Wipe the outside of the appliance with a damp cloth.
- Dry off carefully.
- Do not use harsh or abrasive cleaners.

USING YOUR RICE COOKER

For all 4 functions

- Carefully wipe the outside of the bowl (especially the bottom). Make sure that there are no foreign residues underneath the bowl or on the hotplate – **Fig. 4**.
- Place the bowl into the appliance – **Fig. 5**, making sure that it is correctly positioned.
- Slightly rotate the bowl in both directions, so as to ensure good contact between the bottom of the bowl and the hotplate.
- Make sure that the steam shield is correctly in position – **Fig. 3**.

- Close and lock the lid.
- Check that the condensation collector is correctly in position – **Fig. 6**.
- Plug in the appliance.
- Do not switch on the appliance until all of the above stages have been completed.

Never place your hand over the steam vent during cooking, as there is a danger of burns. If the bowl is not properly in place in the appliance, cooking will not start. If you wish to change the selected cooking time or the cooking mode in the event of an error, select the cooking mode and then the cooking time again.

The corresponding cooking mode light will flash during 5 seconds. During these 5 seconds, you can still adjust directly the cooking mode or time.

RICE COOKER

Measuring the ingredients - Max capacity of the bowl

The plastic cup is only used for measuring rice and not the water (except when cooking 1 cup of rice).

- The graduated markings on the inside of the bowl are given in liters and cups, these are used for measuring the amount of water when cooking rice – **Fig. 7**. If cooking other foods, such as pasta, follow the quantities in the recipes.
- The plastic cup provided with your appliance is for measuring rice, refer to the table below for the quantity of rice required for the number of servings. 1 level measuring cup of rice weighs 5.5 oz.
- The table below gives a guide to cooking white rice. For best results, we recommend using regular rice rather than instant-type rice which tends to result in a stickier rice and may adhere to the base. With other types of rice, such as brown or wild rice, the quantities of water need adjustment (see the table below).
- To cook 1 cup of white rice (serves 2 small or 1 large portion), use 1 measuring cup of white rice and then add 1 1/2 measuring cup of water. With some types of rice it is normal for a little rice to stick on the base when cooking 1 cup of rice.
- The maximum quantity of water + rice should not exceed the 10 cup mark inside the bowl – **Fig. 7**.
- Rinse the rice thoroughly before cooking.

COOKING GUIDE FOR WHITE RICE IN AUTOMATIC RICE & SLOW COOKER				
(American long grain, Basmati, Thai)				
Measuring cups of white rice	Weight of white rice	Water level in the bowl (+ the rice)	Serves	Approximate cooking time*
2	11 oz / 300 g	2 cup mark	3 - 4	14 - 17 min.
4	21.2 oz / 600 g	4 cup mark	5 - 6	20 - 25 min.
5	26.5 oz / 750 g	5 cup mark	7 - 8	23 - 27 min.

- Rinse the rice thoroughly before cooking except for risotto rice.

COOKING GUIDE FOR OTHER TYPES OF RICE					
Type of rice	Measuring cup of rice	Weight of rice	Water level in the bowl (+ the rice)	Serves	Approximate cooking time*
Round white rice (Italian rice - often a stickier rice)	4	21.2 oz / 600 g	4 cup mark	5 - 6	20 - 23 min.
Whole grain Brown rice	4	21.2 oz / 600 g	4.5 cup mark	5 - 6	35 - 40 min.
Wild rice	4	14.1 oz / 400 g	3.5 cup mark	4 - 5	about 40 min.
Risotto rice (Arborio type)	4	21.2 oz / 600 g	4 cup mark	4 - 5	17 - 23 min.

*The rice cooker will automatically determine the exact cooking time depending on the quantity of water and rice placed in the bowl.

NOTE: When using Arborio risotto rice for rice pudding or dessert puddings follow the proportions in the recipe book as more water is needed. When cooking rice pudding, use Arborio risotto rice, as it cooks quicker and gives better results. Follow the instructions in the recipes. Take care when cooking rice in milk as it can froth up and boil up through the lid.

To cook rice

The cooking times given in the tables and recipes are only approximate and for your guidance.

- Place the appliances on a flat, stable, heat-resistant work surface away from water splashes and any other sources of heat.
- Pour the required quantity of rice into the bowl using the measuring cup provided. Then fill with cold water up to the corresponding “CUP” mark printed in the bowl (See cooking guide) – **Fig. 7**.
- Close the lid.

NOTE: Always add the rice first and then water otherwise you will have too much water.

- Check that the appliance is plugged in. Briefly press the “rice cooking” key – **Fig. 8**. The red “rice cooking” light flashes for 5 seconds. After 5 seconds the light remains steady and the cooking automatically starts.
- After each use empty and clean the condensation collector.

The rice cooker itself determines the exact cooking time depending on the quantity of water and ingredients placed in the bowl (see cooking table for a guide to times). When the volume of water has been absorbed by the rice, the appliance stops the cooking process automatically and switches to the “Keep warm” mode (the orange “Keep warm” light comes on).

Rice cooking with delayed start

This is the only cooking mode for which programming a delayed start is possible.

- It is possible to delay the time the rice starts cooking.
- Select the “Rice cooking” mode. When the ingredients have been placed in the bowl and the appliance plugged in, briefly press the “Rice cooking” key – **Fig. 8**. The red

“Rice cooking” light flashes.

- Select the cooking time. When the “rice cooking” light flashes, press the “plus” key – **Fig. 9** or the “minus” key – **Fig. 10** to select the length of time before cooking is completed. For instance: if it is 1 p.m, and you would like your rice to be cooked at 8 p.m, set “7H” on the time key. The “rice cooking” light remains steady.
- You can delay cooking for up to 9 hours maximum.

Some recommendations for best results when cooking rice

- Measure out the rice and rinse it thoroughly under running water in a sieve (except for risotto rice such as Arborio rice which should not be rinsed). Then place the rice in the bowl together with the corresponding quantity of water.
- Make sure that the rice is evenly distributed around the whole surface of the bowl, in order to allow even cooking.
- Add salt if required. Allow about half a teaspoon of salt for 4 cups of rice, but you can adjust this to your personal taste. Remember your Rice Cooker uses less water than when boiling rice so take care not to add too much salt.
- Stock may be substituted for water if desired. If using bouillon cubes, take care not to overseason.
- Do not open the lid during cooking as steam will escape and this will affect the cooking time.
- On completion of cooking, when the “keep warm” function is selected, stir the rice and then leave it in the rice cooker for a few minutes longer in order to get perfect rice with separate grains.

SLOW COOKING

Measuring the ingredients

- The total quantity of ingredients (see recipes for the amounts) should not exceed the 10 CUP mark in the bowl when slow cooking.

To slow cook

- To select the “slow cooking” mode. Place ingredients in the bowl and plug in the appliance, press the “slow cooking” key – **Fig. 11**. When the “slow cooking” light flashes, you can press the “plus” key – **Fig. 9** or the “minus” key – **Fig. 10** to select a cooking time. If you don't select a cooking time after 5 seconds, the light stops flashing, and the corresponding indicator light remains steady; the cooking time of the appliance is automatically programmed at 60 minutes and the appliance begins cooking.
- Select the cooking time: the appliance allows you to program between 60 minutes minimum and 9 hours maximum for the slow cooking mode. Choose the time so as to suit the chosen recipe while the red “slow cooking” light is flashing. Press repeatedly on the +/- keys to increase the cooking time. You can also press continuously in order to speed up the process. The time increases in hourly increments from 60 minutes up to 9 hours maximum.
- When the red “slow cooking” light stops blinking the cooking process begins.

Important instructions when slow cooking dried beans and dried peas

- If you are preparing a slow cooker recipe which contains dried beans or dried peas,

for example red kidney beans or chick peas, they must be soaked in plenty of cold water overnight before cooking them. Drain and rinse them thoroughly, then place in a large saucepan and cover with fresh cold water. Bring to the boil and continue to boil rapidly for 10 minutes, uncovered, then drain before using in Slow Cooker recipes. This destroys any natural toxins in the beans or peas.

- Pre-soaking is not necessary for lentils, but they must still be boiled rapidly for 10 minutes.
- Canned beans can simply be drained and rinsed, and added 30 minutes before the end of the cooking time. They do not need to be boiled first.

Do not eat uncooked beans, peas or lentils.

STEAM COOKING (FOR VEGETABLES, FRUIT AND FISH)

Measuring the ingredients

- The maximum quantity of water in the bowl should not exceed the 10 CUP mark (representing 1.9 qt of water) shown in “cups” on the bowl. Exceeding this level may cause overflows during use.

Preparation

- Pour water into the bowl as stated in the recipe. However, never exceed the 10 mark CUP.
- Place the steam basket in the bowl – **Fig. 12**.
- Add the ingredients.

To steam cook

- To select the steam mode. Place ingredients in the bowl, plug in the appliance, then press the “steam cooking” key – **Fig. 13**. When the “steam cooking” light flashes, you can press the “plus” key – **Fig. 9** or the “minus” key – **Fig. 10** to select a cooking time. If you don’t select a cooking time after 5 seconds, the light stops flashing, and the corresponding indicator light remains steady; the cooking time of the appliance is automatically programmed to 1 minute and the appliance begins cooking.
- Select the cooking time. In order for cooking to start, you have to select a cooking time. The appliance allows you to program from 1 minute minimum to 60 minutes maximum for the steam cooking mode. You choose the time to suit the chosen recipe. Press repeatedly on the +/- keys to increase the cooking time. You can also press continuously in order to speed up the process.
- When the red “steam cooking” light stops blinking the cooking process begins.

COOKING OATMEAL

To cook oatmeal

- To select the oatmeal mode, press the oatmeal key. Place ingredients in the bowl, plug in the appliance, then press the “oatmeal” key – **Fig. 14**. When the “oatmeal” light flashes, you can press the “plus” key – **Fig. 9** or the “minus” key – **Fig. 10** to select a cooking time. If you don’t select a cooking time after 5 seconds, the light stops flashing, and the corresponding indicator light remains steady; the cooking time of the appliance is automatically programmed to 5 minutes and the appliance

begins cooking.

Recipe	Suggested Cooking time using oatmeal function	Servings
1 cup oats, 2 cups milk, 0.5 cup water	4	21.2 oz / 600 gr
2 cups oats, 3 cups milk, 2 cups water	4	21.2 oz / 600 gr

NOTE: After cooking, if the oatmeal is too thin for your personal taste just cook for an additional 2 minutes. Different brands of oats vary slightly, so you may need to adjust the cooking time or amount of liquid used to obtain the consistency you like.

AUTOMATIC KEEP WARM FUNCTION

On completion of cooking, regardless of the cooking mode chosen, the appliance switches automatically to the “keep warm” function except for the oatmeal function. The orange “keep warm” light comes on. The food is thus kept warm and ready to serve. To switch off this function, unplug the appliance.

On completion of cooking

- Open the lid.
- Serve the food using the plastic spoon supplied with the appliance and reclose the lid.
- The food remaining in the bowl will keep warm.
- Unplug the appliance.

The escaping steam is very hot.

CLEANING AND MAINTENANCE

Condensation collector

- The condensation collector should be emptied and cleaned after each use.
- To remove the collector, press on each side of the plastic cover and remove – **Fig. 15.**
- To put the plastic cover back, push firmly into the groove.

Bowl, steam bowl and steam shield

- Use hot water dishwashing liquid and a sponge to clean the bowl, the condensation collector and the steam shield – **Fig. 16-17-18.** Do not use harsh or abrasive cleaners.
- If food has stuck to the bottom, allow the bowl to soak for a while before washing it.
- Dry the bowl carefully. Do not immerse the appliance in water, or pour water directly into it.

Cleaning in a dishwasher

Any brown marks and scratches may appear after many hours of use. We guarantee that the non stick coating **COMPLIES WITH THE REGULATIONS FOR** materials suitable for contact with food.

You can also wash the bowl, the steam bowl and the steam shield in the bottom shelf of the dishwasher. For the bowl, carefully follow the instructions below :

- When putting the bowl into the machine, be careful not to damage the nonstick coating.
- After washing several times in the dishwasher, it is recommended to wipe the inner surface of the bowl with a little vegetable oil.
- Make sure you put the bowl back into the Electronic Rice Cooker.
- Don't put the electrical part of the appliance in the dishwasher.

Taking care of the non-stick bowl

- To keep the non-stick quality of the bowl for as long as possible, it is recommended not to cut food in it.
- Use plastic or wooden utensils and not metal ones when stirring or serving food to avoid damaging the bowl surface.
- To avoid any risk of corrosion, do not pour vinegar into the bowl.
- The colour of the bowl surface may change after using for the first time or after longer use. This change in colour is due to the action of steam and water and does not have any effect on the use of the Electronic Rice Cooker, nor is it dangerous for your health. It is perfectly safe to continue using it.

Cleaning and care of the other parts of the appliance

- Clean the outside of the Electronic Rice Cooker, the inside of the lid and the cord with a damp cloth and wipe dry. Do not use abrasive products.
- Do not use water to clean the interior of the appliance body as it could damage the heat sensor.
- Before putting the appliance away, wind the cord underneath the appliance – **Fig. 19**

Short Cord Instructions

- A short power-supply cord (or detachable power-supply cord) should be used to reduce the risk resulting from becoming entangled in or tripping over a longer cord.
- Longer detachable power-supply cords or extension cords are available and may be used if care is exercised in their use.
- If a longer detachable power-supply cord or extension cord is used:
 - The marked electrical rating of the cord set or extension cord should be at least as great as the electrical rating of the appliance; and
 - The cord should be arranged so that it will not drape over the countertop or tabletop where it can be pulled on by children or tripped over unintentionally.

Polarization instructions

This appliance has a polarized plug (one blade is wider than the other) it is to reduce the risk of electric shock. This plug is intended to fit into a polarized outlet only one way. If the plug does not fit fully into the outlet, reverse the plug. If it still does not fit, contact a qualified electrician. Do not attempt to modify the plug in any way.

ENVIRONMENT PROTECTION FIRST!

- ⓘ Your appliance contains valuable materials which can be recovered or recycled.
- ➔ When you decide to replace your appliance, leave it at a local civic waste collection point.



PRÉCAUTIONS IMPORTANTES

Lorsque vous utilisez des appareils électriques, veillez à prendre quelques précautions élémentaires en matière de sécurité et en particulier les suivantes :

- 1 Lisez entièrement ce mode d'emploi.
- 2 Ne touchez pas aux surfaces chaudes. Utilisez les poignées et les boutons.
- 3 Pour vous protéger d'un choc électrique, n'immergez pas le cordon d'alimentation, les prises de courant ou l'appareil dans l'eau ni dans aucun autre liquide.
- 4 Une surveillance étroite est nécessaire lorsque tout l'appareil électrique est utilisé par des enfants ou à leur proximité.
- 5 Débranchez l'appareil après usage et avant de le nettoyer. Laissez-le refroidir avant d'installer ou d'enlever des accessoires, ou de le nettoyer.
- 6 N'utilisez aucun appareil électrique dont le cordon d'alimentation ou la prise ont été endommagés, quand l'appareil fonctionne mal ou s'il a été endommagé de quelque manière que ce soit. Retournez les appareils défectueux à un centre de service pour un examen, un ajustement ou une réparation.
- 7 L'usage d'accessoires non recommandés par le fabricant pourrait occasionner des blessures.
- 8 N'utilisez pas l'appareil à l'extérieur.
- 9 Ne laissez pas le cordon d'alimentation pendre le long d'une table ou d'un comptoir, et ne le laissez pas au contact de surfaces chaudes.
- 10 Ne placez jamais l'appareil sur ou près d'un brûleur à gaz, d'une plaque électrique ou dans un four chaud.
- 11 Soyez extrêmement prudent si vous déplacez un appareil contenant de l'huile chaude ou tout autre liquide chaud.
- 12 Branchez toujours la prise à l'appareil en premier, puis dans la prise de courant. Pour éteindre, placez le bouton de commande sur la position arrêt puis débranchez de la prise murale.
- 13 N'utilisez cet appareil que pour l'usage pour lequel il a été conçu.

14 GARDEZ PRÉCIEUSEMENT CES INSTRUCTIONS.

RECOMMANDATIONS DE SÉCURITÉ

Lisez attentivement ces instructions et conservez-les soigneusement.

Consignes de sécurité

- Pour votre sécurité, cet appareil est conforme aux normes et réglementations applicables au moment de sa fabrication.
- Vérifiez que la tension du réseau correspond bien à celle indiquée sur l'appareil (courant alternatif).
- Compte tenu de la diversité des normes en vigueur, si l'appareil est utilisé dans un autre pays que celui de l'achat, le faire vérifier par un centre de service agréé.
- Ne pas placer l'appareil près d'une source de chaleur ou dans un four chaud sous peine de le détériorer gravement.

- Cet appareil a été conçu pour un usage domestique uniquement. Toute utilisation professionnelle, non appropriée ou non conforme au mode d'emploi, n'engage ni la responsabilité, ni la garantie du fabricant.

Branchement

- N'utilisez pas l'appareil si celui-ci ou son cordon est défectueux, si l'appareil est tombé et présente des détériorations ou des anomalies de fonctionnement. Dans ces cas, l'appareil doit être envoyé au centre de service agréé le plus proche. Ne démontez pas l'appareil vous-même.
- Branchez toujours l'appareil sur une prise reliée à la terre.
- N'utilisez pas de rallonge. Si vous en prenez toutefois la responsabilité, utilisez une rallonge en bon état reliée à la terre et adaptée à la puissance de l'appareil.
- Ne laissez pas pendre le cordon.
- Ne débranchez pas l'appareil en tirant sur le cordon.
- Débranchez l'appareil après l'utilisation, au moment de le déplacer ou avant chaque nettoyage ou entretien.

Fonctionnement

- Utilisez une surface de travail stable, plane, résistante à la chaleur et à l'abri des éclaboussures.
- Ne laissez jamais l'appareil fonctionner sans surveillance.
- Gardez hors de la portée des enfants.
- Le contact avec les parties chaudes de l'appareil, l'eau chaude, la vapeur et les aliments chauds peuvent occasionner des brûlures.
- Ne tentez jamais de faire fonctionner le produit avec le bol vide ou sans bol.
- Le bouton de commande de cuisson doit pouvoir bouger librement. Ne le bloquez pas à l'aide de quelque objet.
- Ne retirez jamais le bol lorsque le produit est en fonctionnement.
- Ne posez jamais le bol directement sur une surface chaude, une flamme ou une autre source de chaleur, car cela peut endommager l'appareil ou causer un incendie.
- Le bol et la plaque chauffante doivent être en contact direct. L'utilisation d'un bol endommagé, ainsi que tout objet ou aliment intercalé entre ces deux éléments risquerait de provoquer une panne.
- Ne mettez ni liquide, ni aliments dans le produit lorsque le bol n'est pas en place.
- Respectez les niveaux conseillés par les recettes.
- Au cours de la cuisson, le produit émet de la chaleur et de la vapeur. N'approchez pas votre main ou votre tête de la vapeur. N'obstruez pas la sortie de vapeur.
- Ne plongez pas le corps de l'appareil dans l'eau, ne pas verser d'eau à l'intérieur mais uniquement dans le bol.
- S'il arrivait que certaines parties du produit s'enflamment, ne jamais tenter de les éteindre avec de l'eau. Étouffez les flammes avec un linge humide.
- Toute intervention doit être effectuée uniquement par un centre de service agréé avec des pièces de remplacement d'origine.

Participons à la protection de l'environnement !

- 📄 Votre appareil contient de nombreux matériaux recyclables.
- ♻️ Confiez celui-ci à un centre de recyclage.



DESCRIPTION

- | | |
|---|---|
| 1 Panier à vapeur | 16 Panneau de commande |
| 2 Niveaux du riz et de l'eau | A Affichage du temps de cuisson ou du démarrage programmé, en mode cuisson |
| 3 Bol antiadhésif amovible | B Témoin de cuisson du riz «Rice» (rouge) |
| 4 Tasse à mesurer | C Témoin de cuisson lente «Slow cook» (rouge) |
| 5 Écran pare-vapeur amovible | D Touche «plus» de la minuterie |
| 6 Porte-écran pare-vapeur | E Témoin de cuisson vapeur «Steaming» (rouge) |
| 7 Cuillère | F Témoin de cuisson du gruau «Oatmeal» (rouge) |
| 8 Support de la cuillère | G Touche «moins» de la minuterie |
| 9 Plaque chauffante | H Témoin de conservation au chaud «Keep warm» (orange) |
| 10 Détecteur | 17 Cordon d'alimentation |
| 11 Bouton d'ouverture du couvercle | 18 Rangement du cordon |
| 12 Sortie de vapeur | |
| 13 Poignée du couvercle | |
| 14 Couvercle | |
| 15 Collecteur de condensation | |

AVANT LA PREMIÈRE UTILISATION

Déballage de l'appareil

- Enlevez l'appareil de son emballage et déballez tous les accessoires.
- Ouvrez le couvercle en appuyant sur le bouton situé sur la poignée – **Fig. 1**.
- Enlevez toutes les brochures et les accessoires.
- Montez le support de la cuillère : insérez le crochet en plastique du support dans le trou situé sous les charnières du couvercle et faites-le glisser vers le bas – **Fig. 2**.

Lisez les instructions et respectez soigneusement le mode d'emploi indiqué.

Nettoyage de l'appareil

- Enlevez le bol antiadhésif.
- Nettoyez les parties métalliques du couvercle et le bol avec une éponge et du savon à vaisselle. Montez l'écran pare-vapeur sur le porte-écran – **Fig. 3**. Essayez l'extérieur de l'appareil avec un linge humide.
- Laissez sécher soigneusement.
- N'utilisez pas de nettoyeur fort ou abrasif.

UTILISATION DU CUISEUR

Pour les 4 fonctions

- Essayez soigneusement l'extérieur du bol (plus particulièrement le fond). Assurez-vous qu'il n'y ait pas de matières étrangères sous le bol et sur la plaque chauffante – **Fig. 4**.
- Installez le bol dans l'appareil – **Fig. 5**, en faisant attention qu'il soit bien positionné.
- Tournez légèrement le bol dans les deux directions afin de garantir un contact adéquat entre le fond du bol et la plaque chauffante.
- Assurez-vous que le pare-vapeur est correctement placé – **Fig. 3**.
- Fermez et verrouillez le couvercle.
- Vérifiez que le collecteur de condensation est correctement placé – **Fig. 6**.

- Branchez l'appareil.
- Ne branchez pas l'appareil tant que toutes les étapes précédentes n'aient été réalisées.

Ne mettez jamais vos mains devant la sortie de vapeur pendant la cuisson car vous pourriez vous brûler. Si le bol n'est pas positionné correctement dans l'appareil, la cuisson ne démarrera pas. Si vous désirez modifier le temps de cuisson ou le mode de cuisson, sélectionnez le mode de cuisson puis sélectionnez le temps de cuisson à nouveau. Le mode de cuisson sélectionné clignotera pendant 5 secondes. Pendant ces 5 secondes vous pourrez ajuster le mode de cuisson et le temps désirés.

CUISSON DU RIZ

Mesure des ingrédients – Capacité maximale du bol

La tasse à mesurer est utilisée uniquement pour mesurer le riz et non pas l'eau (sauf quand vous cuisinez 1 seule tasse de riz).

- Les marques à l'intérieur du bol sont graduées en litres et en tasses afin de mesurer la quantité d'eau pendant la cuisson du riz – **Fig. 7**. Si vous cuisinez d'autres aliments, comme des pâtes, respectez les quantités indiquées dans les recettes.
- La tasse à mesurer livrée avec votre appareil sert à mesurer le riz ; consultez le tableau ci-dessous pour la quantité de riz requise en fonction du nombre de personnes. Une tasse à mesurer comble de riz pèse 150 g (5,5 oz).
- Le tableau ci-dessous sert de guide à la cuisson du riz blanc. Pour de meilleurs résultats, nous recommandons d'utiliser du riz ordinaire plutôt que du riz à cuisson rapide qui a tendance à donner un riz plus collant qui peut adhérer au fond de l'appareil. Pour d'autres types de riz, comme du riz brun ou du riz sauvage, les quantités d'eau doivent être ajustées selon le tableau ci-dessous.
- Pour cuire 1 tasse de riz blanc (pour 2 petites portions ou 1 grande portion), utilisez 1 tasse à mesurer de riz blanc et ajoutez 1 ½ tasse d'eau. Pour quelques types de riz, il est normal qu'un peu de riz colle dans le fond lors de la cuisson d'une tasse de riz.
- La quantité d'eau maximale + le riz ne doit pas dépasser la marque de 10 tasses à l'intérieur du bol – **Fig. 7**.
- Rincez le riz soigneusement avant la cuisson.

GUIDE DE CUISSON POUR RIZ BLANC SUR FONCTION AUTOMATIQUE ET LENTE (Long grain américain, basmati, thaï)				
Tasses à mesurer de riz	Poids du riz blanc	Niveau d'eau dans le bol (avec le riz)	Portions	Temps de cuisson approximatif*
2	11 oz / 300 g	2 tasses	3 - 4	14 - 17 min.
4	21,2 oz / 600 g	4 tasses	5 - 6	20 - 25 min.
5	26,5 oz / 750 g	5 tasses	7 - 8	23 - 27 min.

- Rincez le riz soigneusement avant la cuisson sauf pour le risotto.

GUIDE DE CUISSON POUR D'AUTRES TYPES DE RIZ					
Type de riz	Tasses à mesurer de riz	Poids du riz	Niveau d'eau dans le bol (avec le riz)	Portions	Temps de cuisson approximatif*
Riz blanc rond (riz italien souvent plus collant)	4	21,2 oz / 600 g	4 tasses	5 - 6	20 - 23 min.
Riz brun entier	4	21,2 oz / 600 g	4.5 tasses	5 - 6	35 - 40 min.
Riz sauvage	4	14,1 oz / 400 g	3.5 tasses	4 - 5	environ 40 min.
Risotto (de type Arborio)	4	21,2 oz / 600 g	4 tasses	4 - 5	17 - 23 min.

*Le cuiseur déterminera automatiquement le temps de cuisson exact en fonction de la quantité d'eau et de riz qui se trouve dans le bol.

NOTE : Lorsque vous cuisinez du riz Arborio pour faire un pudding au riz ou des desserts, respectez les proportions du livre de recettes car il faut davantage d'eau. Lorsque vous faites un pudding au riz, utilisez du riz Arborio car il cuit plus rapidement et donne de meilleurs résultats. Respectez les instructions des recettes. Faites attention lorsque vous cuisez le riz dans du lait car il pourrait mousser et déborder du couvercle.

Cuisson du riz

Les temps de cuisson dans les tableaux et les recettes sont approximatifs et servent de guide.

- Placez l'appareil sur une surface de travail plane, stable et résistante à la chaleur loin de toute éclaboussure d'eau et de toute autre source de chaleur.
- Versez la quantité de riz requise dans le bol à l'aide de la tasse à mesurer. Puis ajoutez de l'eau froide dans le bol à l'aide de la tasse jusqu'à la marque «CUP» correspondante imprimée sur le bol (voir le guide de cuisson) – **Fig. 7**.
- Refermez le couvercle.

Note : Ajoutez le riz d'abord pour ne pas avoir trop d'eau.

- Vérifiez que l'appareil est bien branché. Appuyez brièvement sur la touche «cuisson du riz» – **Fig. 8**. Le témoin rouge «Rice» clignote pendant 5 secondes. Après 5 secondes, le témoin reste allumé et la cuisson débute automatiquement.
- Videz le collecteur de condensation après chaque utilisation.

Le cuiseur détermine lui-même le temps de cuisson exact en fonction de la quantité d'eau et des ingrédients dans le bol (voir le tableau de cuisson pour les temps de cuisson).

Lorsque le volume d'eau a été absorbé par le riz, l'appareil arrête le processus de cuisson automatiquement et passe en mode de conservation au chaud (le témoin orange «Keep warm» s'allume).

Cuisson du riz avec démarrage programmé

- Il est possible de programmer l'heure du démarrage de la cuisson du riz.
- Sélectionnez le mode de cuisson du riz «Rice». Lorsque les ingrédients ont été mis dans le bol et que l'appareil a été branché, appuyez brièvement sur la touche «Rice» – **Fig. 8**. Le témoin rouge «Rice» clignote.
- Sélectionnez le temps de cuisson. Lorsque le témoin de cuisson du riz «Rice» clignote, appuyez sur la touche «plus» – **Fig. 9** ou sur la touche «moins» – **Fig. 10**

pour choisir le temps qui doit s'écouler avant la fin de la cuisson. Par exemple : il est 13h et vous souhaitez que votre riz soit cuit à 20h. Vous devez régler «7H» avec la touche et attendre que le témoin de cuisson du riz «Rice» reste allumé sans clignoter.

- Vous pouvez retarder la cuisson de 9 heures au maximum.

Quelques recommandations pour de meilleurs résultats lors de la cuisson du riz

- Mesurez la quantité de riz et rincez-le soigneusement sous l'eau dans une passoire (sauf pour le riz Arborio qui ne doit pas être rincé). Puis versez le riz dans le bol avec la quantité d'eau correspondante.
- Assurez-vous que le riz est uniformément distribué sur toute la surface du bol afin que la cuisson soit bien uniforme.
- Ajoutez du sel au besoin. Versez environ une demie cuillère à thé de sel pour 4 tasses de riz, mais vous pouvez ajuster cette quantité en fonction de vos goûts. N'oubliez pas que votre cuiseur utilise moins d'eau que lorsque vous préparez le riz de manière traditionnelle et en conséquence, prenez garde de ne pas trop saler.
- Vous pouvez remplacer l'eau par du bouillon si désiré. Si vous utilisez des cubes de bouillon, prenez garde de ne pas trop saler car ils contiennent déjà du sel.
- N'ouvrez pas le couvercle pendant la cuisson car la vapeur s'échappera et cela affectera la durée de la cuisson.
- A la fin de la cuisson, lorsque la fonction de conservation au chaud «Keep warm» est sélectionnée, remuez le riz et laissez-le dans le cuiseur pendant quelques minutes de façon à avoir un riz parfait avec des grains bien détachés.

CUISSON LENTE

Mesure des ingrédients

- La quantité d'ingrédients (voir les recettes pour les quantités) ne doit pas dépasser la marque de 10 tasses dans le bol pour le mode de cuisson lente.

Cuisson lente

- Sélection du mode de cuisson lente : lorsque les ingrédients ont été placés dans le bol et que l'appareil est branché, appuyez sur la touche de cuisson lente «Keep warm» – **Fig. 11**. Lorsque le témoin de cuisson lente «Keep warm» clignote, vous pouvez appuyer sur la touche «plus» – **Fig. 9** ou sur la touche «moins» – **Fig. 10** pour sélectionner le temps de cuisson. Si vous n'avez pas choisi de temps de cuisson après 5 secondes, le témoin arrête de clignoter et reste allumé ; le temps de cuisson de l'appareil est automatiquement programmé à 60 minutes et l'appareil lance la cuisson.
- Sélection du temps de cuisson : l'appareil vous permet de programmer entre 60 minutes au minimum et 9 heures au maximum en mode de cuisson lente. Sélectionnez la durée en fonction de la recette choisie pendant que le témoin rouge de cuisson lente «Keep warm» clignote. Appuyez plusieurs fois sur la touche de la minuterie pour augmenter le temps de cuisson. Vous pouvez aussi la maintenir appuyée pour accélérer le processus. La durée augmente par incréments d'une heure, de 60 minutes à 9 heures.
- Lorsque le témoin rouge de cuisson lente «Keep warm» reste allumé, la cuisson démarre.

Instructions importantes lors de la cuisson de haricots et de pois secs

- Si vous préparez une recette à cuisson lente qui contient des haricots ou des pois secs, par exemple des haricots rouges ou des pois chiches, ils doivent avoir trempé dans une grande quantité d'eau froide pendant toute la nuit avant la cuisson. Égouttez-les et

rincez-les soigneusement, puis mettez-les dans une grande marmite et recouvrez-les d'eau froide. Amenez à ébullition et laissez bouillir pendant 10 minutes, sans couvercle, puis égouttez-les avant de les utiliser dans les recettes à cuisson lente. Ceci permet de détruire les toxines naturelles présentes dans les haricots ou les pois.

- Il n'est pas nécessaire de faire tremper les lentilles, mais elles doivent bouillir rapidement pendant 10 minutes.
- Les haricots et légumineuses en boîte peuvent simplement être rincés et égouttés, puis être ajoutés 30 minutes avant la fin du temps de cuisson. Il n'est pas nécessaire de les faire bouillir avant.

Ne mangez pas des haricots, des pois ou des lentilles crus.

CUISSON À LA VAPEUR

(POUR LES LÉGUMES, LES FRUITS ET LES POISSONS)

Mesure des ingrédients

- La quantité maximale d'eau dans le bol ne doit pas dépasser la marque de 10 tasses (représentant 1,9 litre d'eau) indiquée en «CUP» dans le bol. Dépasser ce niveau peut causer un débordement pendant l'utilisation.

Préparation

- Versez de l'eau dans le bol tel qu'indiqué dans la recette. Cependant, ne dépassez jamais la marque de 10 tasses.
- Positionnez le panier à vapeur dans le bol – **Fig. 12**.
- Ajoutez-y les ingrédients.

Cuisson à la vapeur

- Sélection du mode vapeur : lorsque les ingrédients ont été placés dans le bol et que l'appareil a été branché, appuyez sur la touche de cuisson à la vapeur «Steaming» – **Fig. 13**. Lorsque le témoin de cuisson à la vapeur «Steaming» clignote, vous pouvez appuyer sur la touche «plus» – **Fig. 9** ou «moins» – **Fig. 10** pour sélectionner le temps de cuisson. Si vous n'avez pas choisi de temps de cuisson après 5 secondes, le témoin s'arrête de clignoter et reste allumé ; le temps de cuisson de l'appareil est automatiquement programmé à 1 minute et l'appareil lance la cuisson.
- Sélection du temps de cuisson : pour commencer la cuisson, vous devez sélectionner un temps de cuisson. L'appareil vous permet de programmer d'une minute à soixante minutes au maximum en mode de cuisson à la vapeur. Sélectionnez la durée en fonction de la recette. Appuyez plusieurs fois sur la touche «plus» pour augmenter le temps de cuisson. Vous pouvez aussi la maintenir appuyée pour accélérer le processus.
- Lorsque le témoin rouge de cuisson à la vapeur «Steaming» reste allumé, la cuisson démarre.

CUISSON DU GRUAU

Cuisson du gruau

- Sélection du mode gruau : appuyez brièvement sur la touche de cuisson du gruau «Oatmeal». Lorsque les ingrédients ont été placés dans le bol et que l'appareil a été branché, appuyez sur la touche de cuisson du gruau «Oatmeal» – **Fig. 14**. Lorsque le témoin «Oatmeal» clignote, vous pouvez appuyer sur la touche «plus» – **Fig. 9** ou «moins» – **Fig. 10** pour sélectionner le temps de cuisson.

Si vous n'avez pas choisi de temps de cuisson après 5 secondes, le témoin s'arrête de clignoter et reste allumé ; le temps de cuisson de l'appareil est automatiquement programmé à 5 minutes et l'appareil lance la cuisson.

Recette	Temps de cuisson suggéré en mode gruau	Portions
1 tasse de gruau, 2 tasses de lait, 0,5 tasse d'eau	4	21,2 oz / 600 g
2 tasses de gruau, 3 tasses de lait, 2 tasses d'eau	4	21,2 oz / 600 g

NOTE : Après la cuisson, si vous trouvez que votre gruau est trop liquide, laissez-le cuire 2 minutes supplémentaires. Le gruau varie d'une marque à l'autre et vous devrez alors ajuster le temps de cuisson ou la quantité de liquide pour obtenir la consistance désirée.

FONCTION DE CONSERVATION AU CHAUD AUTOMATIQUE

À la fin de la cuisson, quel que soit le mode de cuisson choisi, l'appareil passe automatiquement en mode de conservation au chaud «Keep warm», sauf pour le mode gruau. Le témoin orange «Keep warm» s'allume. Les aliments sont ainsi conservés au chaud pour être prêts à servir. Pour arrêter cette fonction, débranchez l'appareil.

À la fin de la cuisson

- Ouvrez le couvercle.
- Servez les aliments à l'aide de la cuillère en plastique fournie avec l'appareil et refermez le couvercle.
- Les aliments qui resteront dans le bol seront conservés au chaud.
- Débranchez l'appareil.

La vapeur qui s'échappe est très chaude.

NETTOYAGE ET ENTRETIEN

Collecteur de condensation

- Le collecteur de condensation doit être vide et nettoyé après chaque utilisation.
- Pour démonter le collecteur, appuyez de chaque côté du couvercle en plastique et enlevez-le - **Fig. 15**.
- Pour remettre le couvercle en plastique, poussez-le fermement dans sa rainure.

Bol, panier à vapeur et écran pare-vapeur

- Utilisez de l'eau chaude, du savon à vaisselle et une éponge pour nettoyer le bol, le collecteur de condensation et l'écran pare-vapeur - **Fig. 16-17-18**. N'utilisez pas de nettoyant fort ou abrasif.
- Si des aliments sont restés collés au fond, laissez tremper le bol pendant quelques temps avant de le laver.
- Séchez le bol soigneusement.
- N'immergez pas l'appareil et ne versez pas d'eau dedans.

Nettoyage au lave-vaisselle

Des marques et des rayures peuvent apparaître après plusieurs heures d'utilisation. Nous garantissons que le revêtement antiadhésif RESPECTE LES RÉGLEMENTS en vigueur relatifs aux matériaux qui sont en contact avec les aliments. Vous pouvez également laver le bol, le panier à vapeur et l'écran pare-vapeur dans le panier du bas du lave-vaisselle. Pour le bol, respectez soigneusement les instructions ci-dessous :

- Lorsque vous mettez le bol dans la machine, faites attention de ne pas endommager le revêtement antiadhésif sur les paniers du lave-vaisselle.
- Après plusieurs lavages dans le lave-vaisselle, il est recommandé d'essuyer la partie intérieure du bol avec un essuie-tout imbibé d'huile végétale.
- Remettez le bol en place dans le cuiseur.

Ne placez pas la partie électrique au lave-vaisselle.

Entretien du bol antiadhésif

- Pour conserver la qualité antiadhésif du bol aussi longtemps que possible, il est recommandé de ne pas découper des aliments dans le bol.
- Utilisez des ustensiles en plastique ou en bois et non pas métalliques lorsque vous remuez les aliments ou lorsque vous faites le service, pour ne pas endommager la surface du bol.
- Pour éviter tout risque de corrosion, ne versez pas de vinaigre dans le bol.
- La couleur de la surface du bol peut changer après la première utilisation ou après une période plus longue. Ce changement de couleur est lié à l'action de la vapeur et de l'eau et elle n'a aucun effet sur l'utilisation de votre cuiseur ni sur sa sécurité pour votre santé. Il est parfaitement sécuritaire de continuer à l'utiliser.

Nettoyage et entretien des autres pièces de l'appareil

- Nettoyez l'extérieur de votre cuiseur, l'intérieur du couvercle et le cordon avec un linge humide et essuyez-les. N'utilisez pas de produits abrasifs.
- N'utilisez pas d'eau pour nettoyer l'intérieur de l'appareil car elle pourrait endommager le détecteur de température.
- Avant de ranger l'appareil, enroulez le cordon sous l'appareil – **Fig. 19**.

Instructions concernant le cordon d'alimentation

- Un cordon d'alimentation court (ou un cordon amovible) doit être utilisé avec cet appareil pour réduire le risque de s'emmêler ou de trébucher dessus.
- Des cordons d'alimentation plus longs et des rallonges sont offerts sur le marché et peuvent être utilisés si des précautions sont prises.
- Si un cordon plus long ou une rallonge est utilisé :
 - le calibre du cordon ou de la rallonge doit être au minimum le même que celui de l'appareil.
 - le cordon ou la rallonge ne doit pas pendre de la table ou du comptoir, où il pourrait être tiré par un enfant ou faire trébucher quelqu'un.

Instructions pour la polarisation

Votre appareil est équipé d'une fiche polarisée (une lame est plus large que l'autre), ceci a pour but de réduire les risques de chocs électriques. Cette fiche ne se branche que dans un sens. Si la fiche ne rentre pas correctement dans la prise murale, mettez-la dans l'autre sens. Si elle ne rentre toujours pas, contactez un électricien. Ne modifiez en aucune façon la prise.

PROTEGEONS L'ENVIRONNEMENT !

- ① Votre appareil contient de nombreux matériaux valorisables ou recyclables.
- ➔ Confiez-le à un centre de recyclage si vous décidez de le remplacer.

