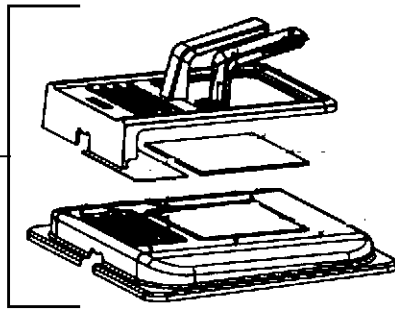


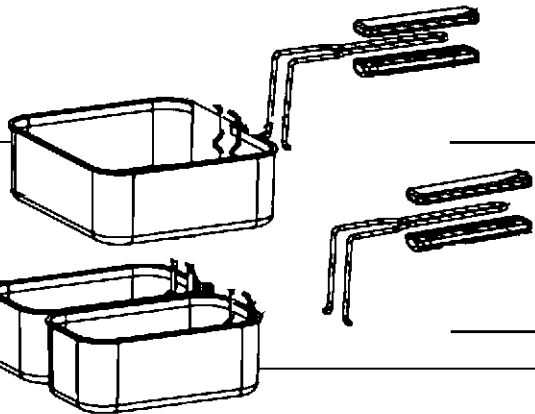
# KRUPS

## KJ502D51/4XA

FS-9100022194



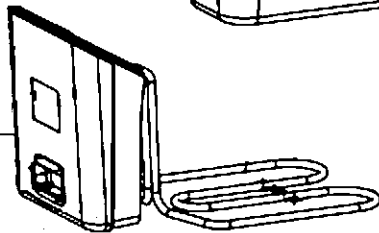
FS-9100022198



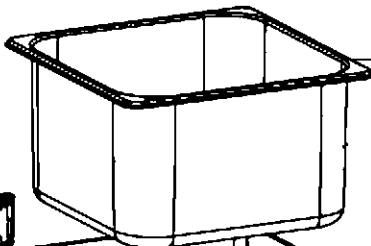
FS-9100022195

FS-9100022199

FS-9100022193

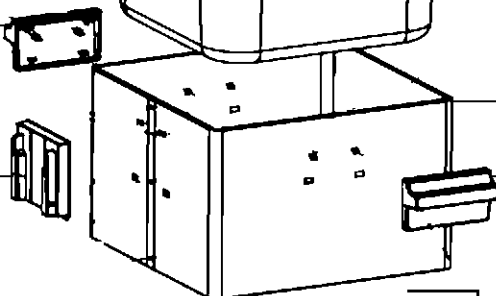


FS-9100022200



FS-9100022196

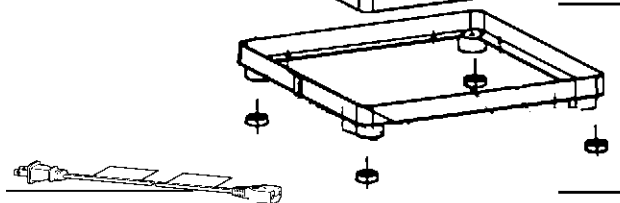
FS-9100022201



FS-9100022197

FS-9100022200

FS-9100022203



FS-9100022202